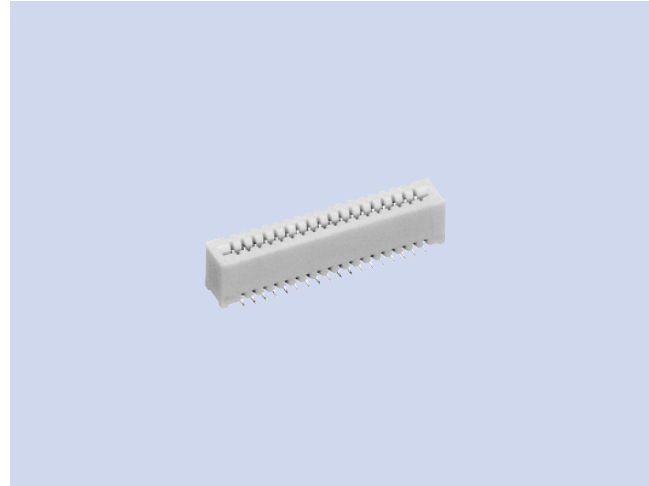


0.8mm Density NON-ZIF FPC Connectors CEM-B93 Series

FEATURES

1. Surface mount type connector for flexible PCB.
2. Non-ZIF system.
3. Double-sided contact system with 0.8mm pitch, straight type.



HOW TO ORDER

B93-018-05 0-HJEA

- 1 Series No.
 2 No. of contacts (018 : 18pins)
 3 Housing material (05 : Nylon resin)
 4 UL grade (0 : UL94V-0)
 5 Supplementary symbol

SPECIFICATIONS

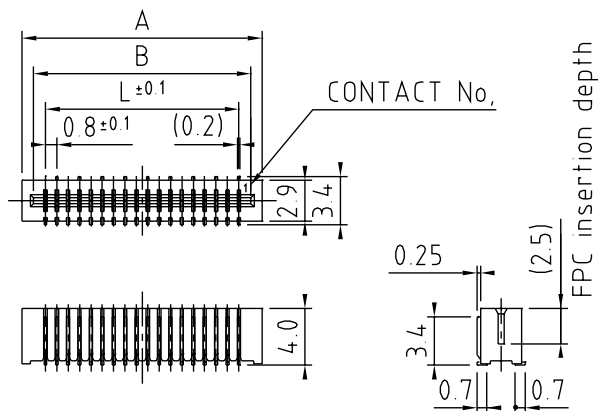
ELECTRICAL CHARACTERISTICS & MECHANICAL CHARACTERISTICS

Rated Voltage	50V AC (rms)
Rated Current	0.5A
Withstanding Voltage	200V AC (rms) 1minute
Insulation Resistance	100MΩ min. (at 500V DC)
Contact Resistance	30mΩ max.
Applicable FPC Thickness	0.3±0.05mm

MATERIAL & FINISH

Component Parts	Material	Finish
Housing	Nylon resin	—
Contact	Copper Alloy	Solder plating

DIMENSIONS



Unit : mm

No. of Contacts	Part No.	Measurement		
		L	A	B
18	B93-018-050-HJEA	13.6	16.9	15.3