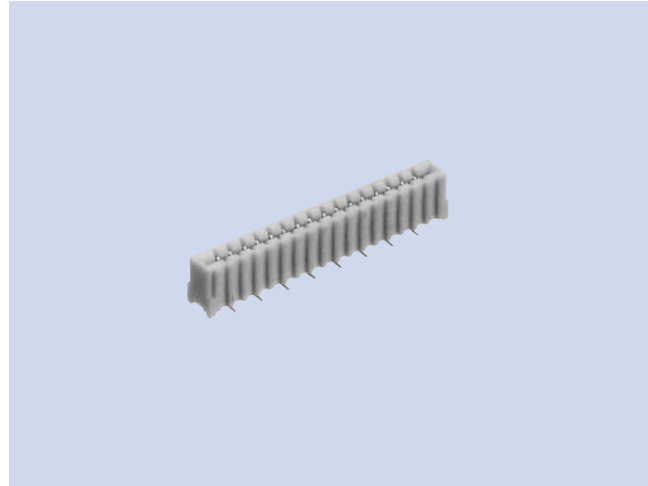


1.00mm Density NON-ZIF FPC Connectors CEM-B82 Series

FEATURES

1. Surface mount type connector for flexible PCB.
2. Low-height and non-ZIF system.
3. Double-sided contact system with 1mm pitch.
Terminals are of the zigzag straight type.



HOW TO ORDER

B82-016-05 0-HJEA

1 2 3 4 5 6

- 1 Series No.
- 2 No. of contacts (016 : 16pins)
- 3 Housing material (05 : Nylon resin)
- 4 UL grade (0 : UL94V-0)
- 5 Supplementary symbol
- 6 Housing Color (A : Black, B : White)

SPECIFICATIONS

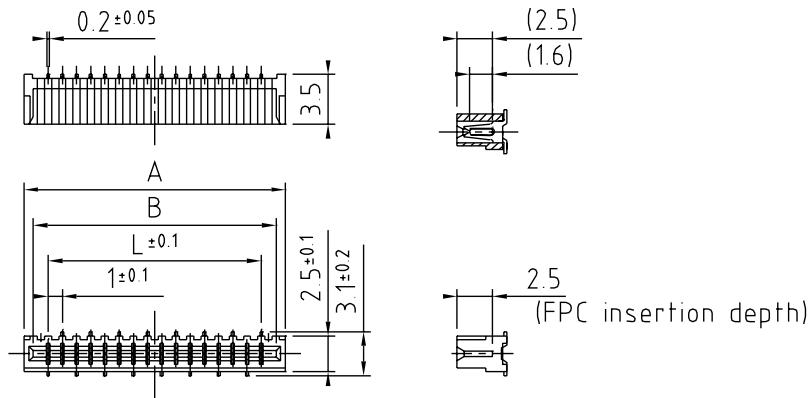
ELECTRICAL CHARACTERISTICS & MECHANICAL CHARACTERISTICS

Rated Voltage	50V AC (rms)
Rated Current	1A
Withstanding Voltage	500V AC (rms) 1minute
Insulation Resistance	100MΩ min. (at 500V DC)
Contact Resistance	20mΩ max.
Applicable FPC Thickness	0.3±0.05mm

MATERIAL & FINISH

Component Parts	Material	Finish
Housing	Nylon resin	—
Contact	Copper Alloy	Solder plating

DIMENSIONS



Unit : mm

No. of Contacts	Part No.	Measurement		
		L	A	B
16	B82-016-050-HJEA-□	15	18.4	17.1
17	B82-017-050-HJEA-□	16	19.4	18.1
18	B82-018-050-HJEA-□	17	20.4	19.1