

# Ceramic High Pass Filter

1510 to 5000 MHz

**NEW!**  
**HFCN-1300**



**BLUE CELL™**

CASE STYLE: FV1206

## Maximum Ratings

Operating Temperature	-55°C to 100°C
Storage Temperature	-55°C to 100°C
RF Power Input*	7W max. at 25°C

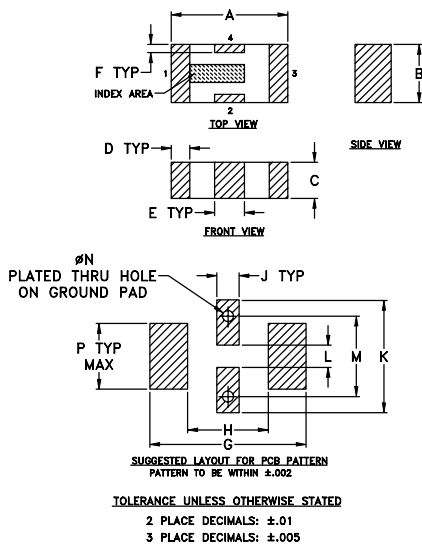
\*Passband rating, derate linearly to 3W at 100°C ambient.

## Pin Connections

RF IN	1**
RF OUT	3**
GROUND	2,4

\*\* RF IN & RF OUT can be interchanged

## Outline Drawing



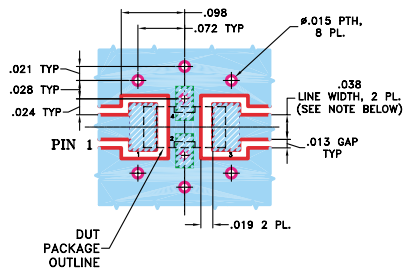
## Outline Dimensions (inch)

A	B	C	D	E	F	G
.126	.063	.037	.024	.032	.009	.169
3.20	1.60	0.94	0.51	0.81	0.23	4.29

H	J	K	L	M	N	P	wt
.087	.024	.122	.024	.087	.012	.071	grams
2.21	0.61	3.10	0.61	2.21	0.30	1.80	.020

**Demo Board MCL P/N: TB-270**  
**Suggested PCB Layout (PL-137)**



## Features

- low cost
- small size
- 7 sections
- temperature stable
- excellent power handling, 7W

## Applications

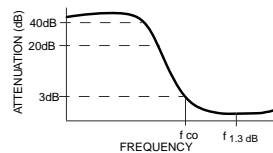
- sub-harmonic rejection
- transmitters/receivers
- lab use

## High Pass Filter Electrical Specifications<sup>1</sup> (T<sub>AMB</sub>=25°C)

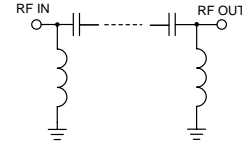
MODEL NO.	STOP BAND (MHz) Min.	f <sub>co</sub> , MHz Nom. (loss > 3 dB) Typ.	PASSBAND (MHz) Max. (loss < 2 dB) Typ.	VSWR Typ. Frequency (MHz) 1.5:1	POWER INPUT (W)	NO. OF SECTIONS
HFCN-1300	680 (loss > 40 dB)	930 (loss > 20 dB)	1300	1510-4000 1400-5000	20:1	7

1. For Applications requiring DC voltage to be applied to the Input or output, use HFCN-1300D (DC Resistance to ground is 100 Mohms min.)

## typical frequency response

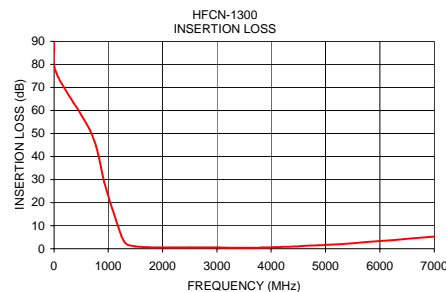


## schematic



## Typical Performance Data at 25°C

Frequency (MHz)	Insertion Loss (dB)	VSWR (:1)
1.00	89.20	>20
50.00	75.85	>20
690.00	49.92	>20
938.00	27.78	>20
1184.00	9.38	10.43
1305.00	2.72	2.59
1500.00	1.02	1.29
2000.00	0.58	1.21
2500.00	0.61	1.44
3000.00	0.52	1.28
3500.00	0.48	1.15
4000.00	0.64	1.41
5000.00	1.67	2.50
6000.00	3.37	4.38
7000.00	5.35	7.47



**Mini-Circuits®**

INTERNET <http://www.minicircuits.com>

P.O. Box 350166, Brooklyn, New York 11235-0003 (718) 934-4500 Fax (718) 332-4661

Distribution Centers NORTH AMERICA 800-654-7949 • 417-335-5935 • Fax 417-335-5945 • EUROPE 44-1252-832600 • Fax 44-1252-837010

Mini-Circuits ISO 9001 & ISO 14001 Certified

REV. C  
M96263  
EDR-6437/6  
HFCN-1600  
RVN/AD/CP  
050113