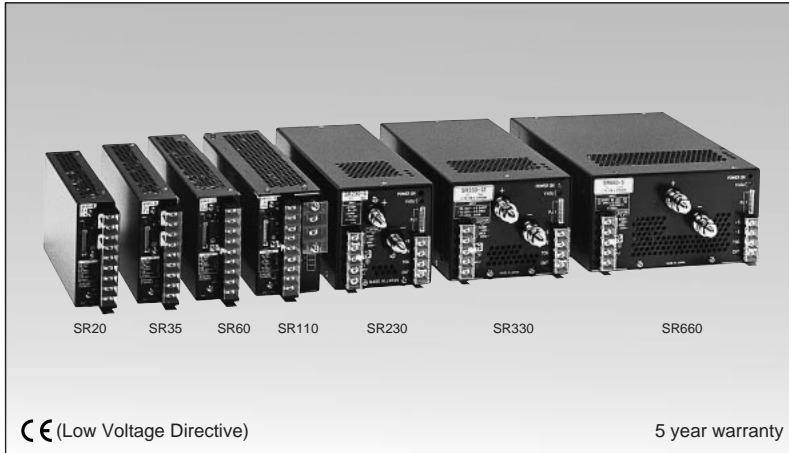


# SR-SERIES

Single output 20W ~ 660W



## Model name

# SR 60-5

Output voltage: 2 ~ 48V  
Output power: 20 ~ 660W  
Name of series

## Features

- CE marking (Low Voltage Directive)
- Long life and high reliability  
Lifetime: 10 years or more, 40°C at full load  
(Internal fan is spare part)
- Wide operating temperature range: -20 ~ +71°C
- Input voltage range: 85 ~ 132VAC / 170 ~ 265VAC
- 77 models, 15W ~ 660W
- 5 year warranty

## Specifications

|   |   |
|---|---|
| <b>1. Input voltage range</b>                               | 85 ~ 132VAC/170 ~ 265VAC (47 ~ 440Hz), 230 ~ 330VDC user selectable   |
| <b>2. Output voltage range</b>                              | SR20 ~ SR110 : ± 10%, SR230 ~ SR660 : ±20%, (2V output : -10 ~ +20%, 5V output : -20 ~ +10%)  |
| <b>3. Line and load regulation</b>                          | Line regulation: 0.4% (2V output : 20mV), Load regulation: 0.4% (2V output : 20 mV)   |
| <b>4. Maximum ripple &amp; noise</b>                        | 50mV : 2 ~ 6V output, 60mV : 9 ~ 15V output, 80mV : 18 ~ 28V output<br>90mV : 30 ~ 36V output, 100mV : 48V output type  |
| <b>5. Cooling</b>   | SR20, 35, 60, 110 : Convection cooling, SR230, 330, 660 : forced air cooling by internal fan  |
| <b>6. Operating ambient temperature (Standard mounting)</b> | -20 ~ +71°C (SR20, 35, 60, 110 . . . +61 ~ +71°C : Forced air cooling)<br>SR20, 35... -20 ~ +71°C/-20°C: 50%, 0 ~ +40°C: 100%, +60°C: 60%, +71°C: 50%<br>SR60, 110... -20 ~ +71°C/-20°C: 50%, 0 ~ +40°C: 100%, +60°C: 70%, +71°C: 50%<br>SR230, 330, 660... -20 ~ +71°C/-20°C: 60%, 0 ~ +40°C: 100%, +60°C: 70%, +71°C: 50% |
| <b>7. Withstand voltage</b>                                 | Input-output: 3.75kVAC, input-FG : 2.5kVAC, output-FG : 500VAC for 1 min.   |
| <b>8. Safety standard</b>                                   | Approved by UL1950 , CSA950  and EN60950  |
| <b>9. EMI</b>   | Conforms to VCCI-class 1 and FCC class A  |
| <b>10. Functions</b>  | Over voltage protection, Over current protection, Thermal protection, Remote sensing, Remote on/off control, Power-failure signal, Output current balancing, Fan alarm signal   |

\* Output derating of output voltage range and operating ambient temperature are different according to models.

## Product lineup

| Model name |          | Nominal output voltage | Max. output current | Max. output power | UL | CSA | EN |
|------------|----------|------------------------|---------------------|-------------------|----|-----|----|
| SR20       | SR20-2   | 2V                     | 4A                  | 8W                | ○  | ○   | Δ  |
|            | SR20-5   | 5V                     | 4A                  | 20W               | ○  | ○   | ○  |
|            | SR20-6   | 6V                     | 3.3A                | 19.8W             | ○  | ○   | Δ  |
|            | SR20-9   | 9V                     | 2.2A                | 19.8W             | ○  | ○   | Δ  |
|            | SR20-12  | 12V                    | 1.7A                | 20.4W             | ○  | ○   | ○  |
|            | SR20-15  | 15V                    | 1.4A                | 21W               | ○  | ○   | ○  |
|            | SR20-18  | 18V                    | 1.2A                | 21.6W             | ○  | ○   | Δ  |
|            | SR20-20  | 20V                    | 1.0A                | 20W               | ○  | ○   | Δ  |
|            | SR20-24  | 24V                    | 0.9A                | 21.6W             | ○  | ○   | ○  |
|            | SR20-28  | 28V                    | 0.7A                | 19.6W             | ○  | ○   | Δ  |
| SR35       | SR35-2   | 2V                     | 7A                  | 14W               | ○  | ○   | Δ  |
|            | SR35-5   | 5V                     | 7A                  | 35W               | ○  | ○   | ○  |
|            | SR35-6   | 6V                     | 6A                  | 36W               | ○  | ○   | Δ  |
|            | SR35-9   | 9V                     | 4A                  | 36W               | ○  | ○   | Δ  |
|            | SR35-12  | 12V                    | 3A                  | 36W               | ○  | ○   | ○  |
|            | SR35-15  | 15V                    | 2.6A                | 39W               | ○  | ○   | ○  |
|            | SR35-18  | 18V                    | 2.3A                | 41.4W             | ○  | ○   | Δ  |
|            | SR35-20  | 20V                    | 2.1A                | 42W               | ○  | ○   | Δ  |
|            | SR35-24  | 24V                    | 1.8A                | 43.2W             | ○  | ○   | ○  |
|            | SR35-28  | 28V                    | 1.6A                | 44.8W             | ○  | ○   | Δ  |
| SR60       | SR60-2   | 2V                     | 12A                 | 24W               | ○  | ○   | Δ  |
|            | SR60-5   | 5V                     | 12A                 | 60W               | ○  | ○   | ○  |
|            | SR60-6   | 6V                     | 10A                 | 60W               | ○  | ○   | ○  |
|            | SR60-9   | 9V                     | 6.7A                | 60.3W             | ○  | ○   | Δ  |
|            | SR60-12  | 12V                    | 5.5A                | 66W               | ○  | ○   | ○  |
|            | SR60-15  | 15V                    | 4.4A                | 66W               | ○  | ○   | ○  |
|            | SR60-18  | 18V                    | 3.9A                | 70.2W             | ○  | ○   | Δ  |
|            | SR60-20  | 20V                    | 3.9A                | 78W               | ○  | ○   | Δ  |
|            | SR60-24  | 24V                    | 3.3A                | 79.2W             | ○  | ○   | ○  |
|            | SR60-28  | 28V                    | 2.8A                | 78.4W             | ○  | ○   | Δ  |
| SR110      | SR60-48  | 48V                    | 1.5A                | 72W               | ○  | ○   | Δ  |
|            | SR110-2  | 2V                     | 22A                 | 44W               | ○  | ○   | Δ  |
|            | SR110-5  | 5V                     | 22A                 | 110W              | ○  | ○   | ○  |
|            | SR110-6  | 6V                     | 19A                 | 114W              | ○  | ○   | Δ  |
|            | SR110-9  | 9V                     | 13A                 | 117W              | ○  | ○   | Δ  |
|            | SR110-12 | 12V                    | 10A                 | 120W              | ○  | ○   | ○  |

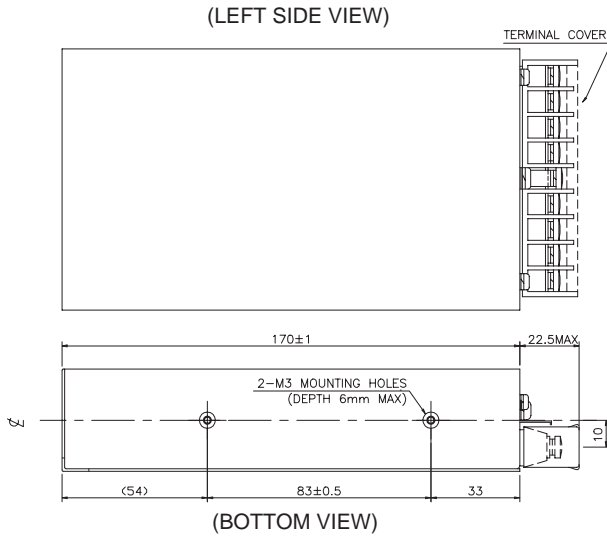
| Model name |          | Nominal output voltage | Max. output current | Max. output power | UL | CSA | EN |
|------------|----------|------------------------|---------------------|-------------------|----|-----|----|
| SR110      | SR110-15 | 15V                    | 8A                  | 120W              | ○  | ○   | Δ  |
|            | SR110-18 | 18V                    | 6.5A                | 117W              | ○  | ○   | Δ  |
|            | SR110-20 | 20V                    | 6A                  | 120W              | ○  | ○   | Δ  |
|            | SR110-24 | 24V                    | 5A                  | 120W              | ○  | ○   | ○  |
|            | SR110-28 | 28V                    | 4.2A                | 117.6W            | ○  | ○   | Δ  |
|            | SR110-48 | 48V                    | 2.5A                | 120W              | ○  | ○   | Δ  |
| SR230      | SR230-2  | 2V                     | 46A                 | 92W               | ○  | ○   | Δ  |
|            | SR230-5  | 5V                     | 46A                 | 230W              | ○  | ○   | ○  |
|            | SR230-6  | 6V                     | 38A                 | 228W              | ○  | ○   | ○  |
|            | SR230-9  | 9V                     | 25.5A               | 229.5W            | ○  | ○   | Δ  |
|            | SR230-12 | 12V                    | 19.5A               | 234W              | ○  | ○   | ○  |
|            | SR230-15 | 15V                    | 15.5A               | 232.5W            | ○  | ○   | Δ  |
|            | SR230-18 | 18V                    | 13A                 | 234W              | ○  | ○   | Δ  |
|            | SR230-20 | 20V                    | 12A                 | 240W              | ○  | ○   | Δ  |
|            | SR230-24 | 24V                    | 10A                 | 240W              | ○  | ○   | ○  |
|            | SR230-28 | 28V                    | 8.5A                | 238W              | ○  | ○   | Δ  |
| SR330      | SR230-48 | 48V                    | 5A                  | 240W              | ○  | ○   | Δ  |
|            | SR330-2  | 2V                     | 66A                 | 132W              | ○  | ○   | Δ  |
|            | SR330-5  | 5V                     | 66A                 | 330W              | ○  | ○   | ○  |
|            | SR330-6  | 6V                     | 55A                 | 330W              | ○  | ○   | Δ  |
|            | SR330-9  | 9V                     | 37A                 | 333W              | ○  | ○   | Δ  |
|            | SR330-12 | 12V                    | 28A                 | 336W              | ○  | ○   | ○  |
|            | SR330-15 | 15V                    | 23A                 | 345W              | ○  | ○   | ○  |
|            | SR330-18 | 18V                    | 19A                 | 342W              | ○  | ○   | Δ  |
|            | SR330-20 | 20V                    | 17A                 | 340W              | ○  | ○   | ○  |
|            | SR330-24 | 24V                    | 15A                 | 360W              | ○  | ○   | ○  |
|            | SR330-28 | 28V                    | 13A                 | 364W              | ○  | ○   | Δ  |
|            | SR330-48 | 48V                    | 7.5A                | 360W              | ○  | ○   | ○  |
| SR660      | SR660-2  | 2V                     | 132A                | 264W              | ○  | ○   | Δ  |
|            | SR660-5  | 5V                     | 132A                | 660W              | ○  | ○   | ○  |
|            | SR660-6  | 6V                     | 110A                | 660W              | ○  | ○   | Δ  |
|            | SR660-9  | 9V                     | 74A                 | 666W              | ○  | ○   | Δ  |
|            | SR660-12 | 12V                    | 56A                 | 672W              | ○  | ○   | ○  |
|            | SR660-15 | 15V                    | 45A                 | 675W              | ○  | ○   | Δ  |
|            | SR660-18 | 18V                    | 37.5A               | 675W              | ○  | ○   | Δ  |
|            | SR660-20 | 20V                    | 33A                 | 660W              | ○  | ○   | Δ  |
|            | SR660-24 | 24V                    | 28A                 | 672W              | ○  | ○   | ○  |
|            | SR660-28 | 28V                    | 24A                 | 672W              | ○  | ○   | Δ  |
| SR660-48   | 48V      | 14A                    | 672W                | ○                 | ○  | Δ   |    |

- Request customer specification for further details of specification, outline, characteristics, etc. Read the instruction manual before usage.
- Contact us about delivery before ordering.

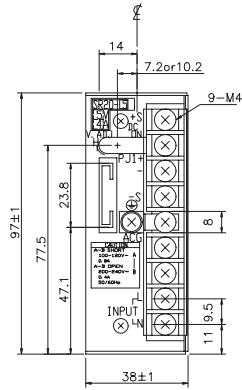
○ : Safety standard approved, Δ : Conforms to safety standard

# SR-SERIES

## SR20



(FRONT VIEW)



● Recommended Noise Filter

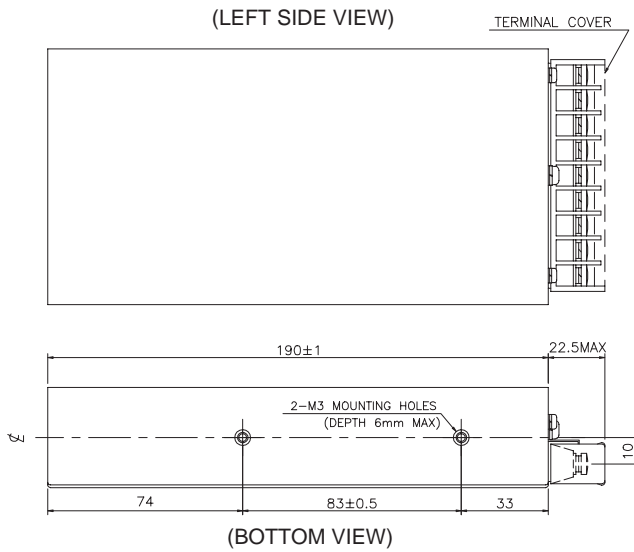
**MAW-1201-22**



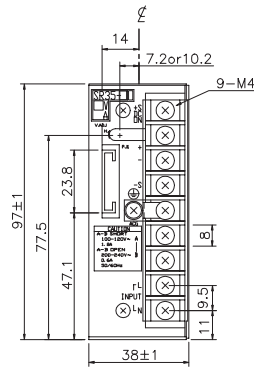
GO!!  
**P134**

(Unit: mm)

## SR35



(FRONT VIEW)



● Recommended Noise Filter

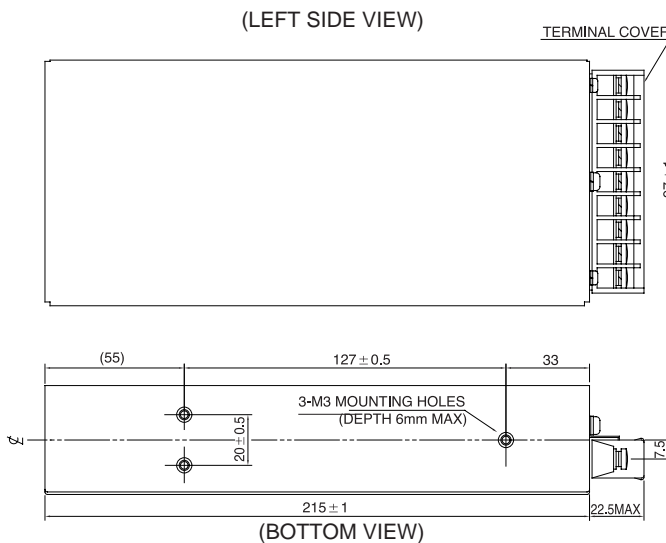
**MAW-1202-22**



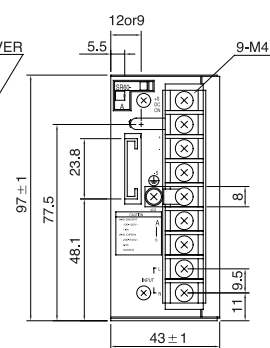
GO!!  
**P134**

(Unit: mm)

## SR60



(FRONT VIEW)



● Recommended Noise Filter

**MAW-1203-22**

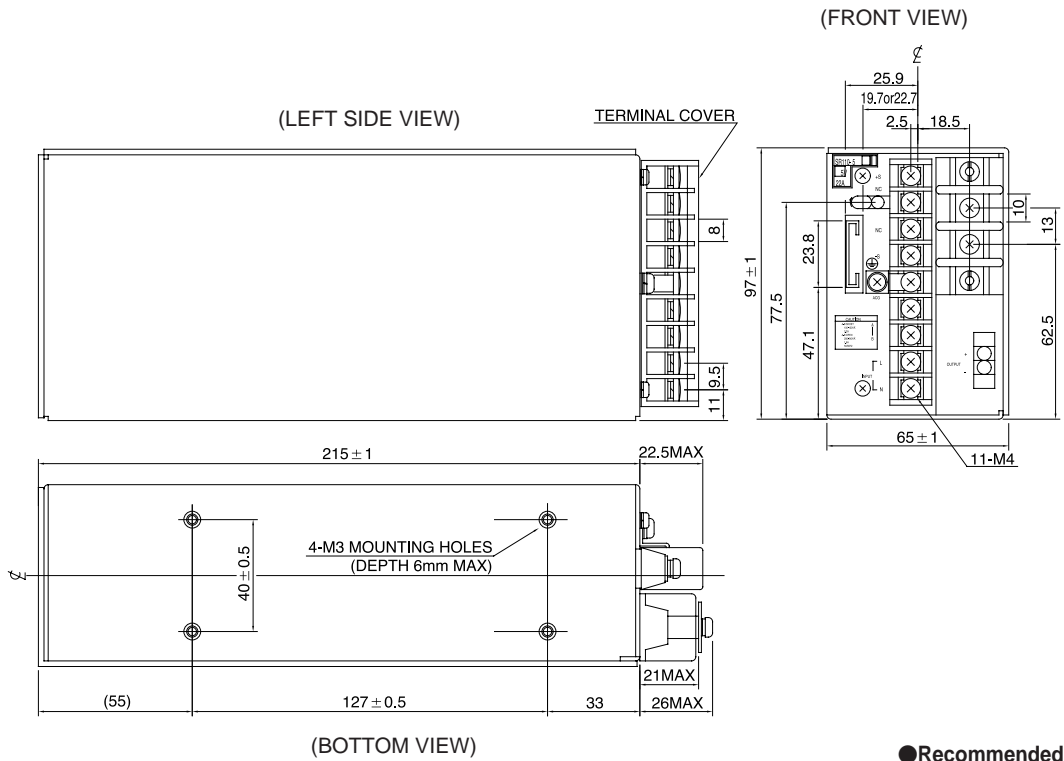


GO!!  
**P134**

(Unit: mm)

# SR-SERIES

## SR110



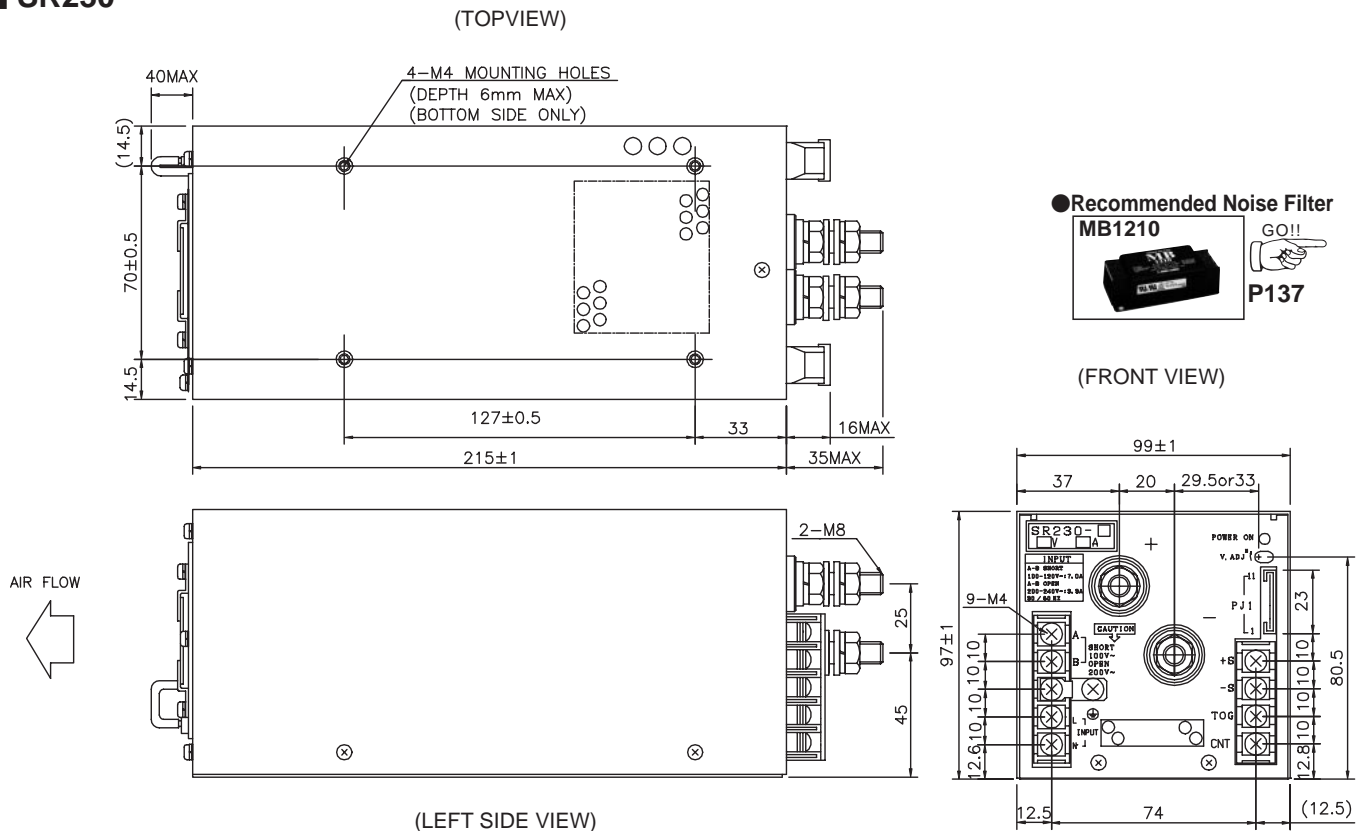
● Recommended Noise Filter

MB1206



(Unit: mm)

## SR230



● Recommended Noise Filter

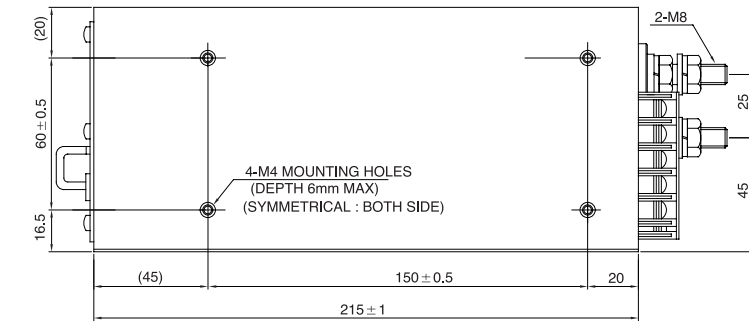
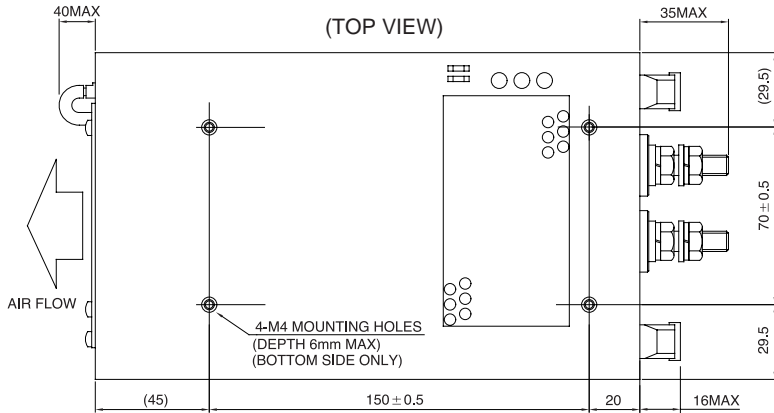
MB1210



(Unit: mm)

# SR-SERIES

## SR330

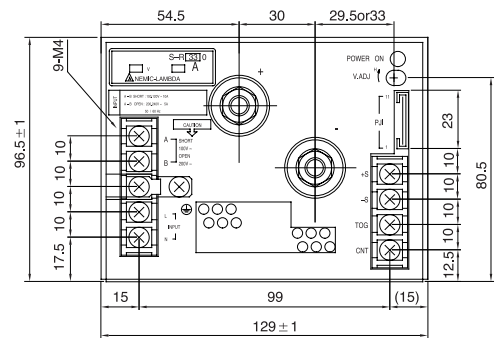


(LEFT SIDE VIEW)

● Recommended Noise Filter

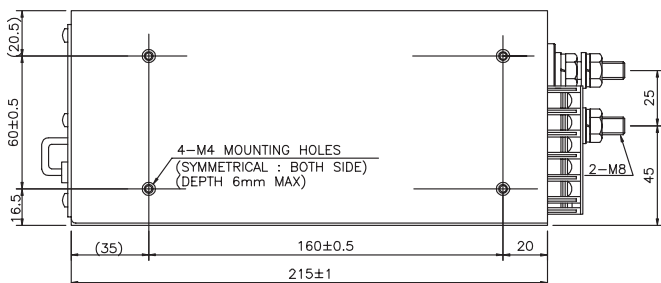
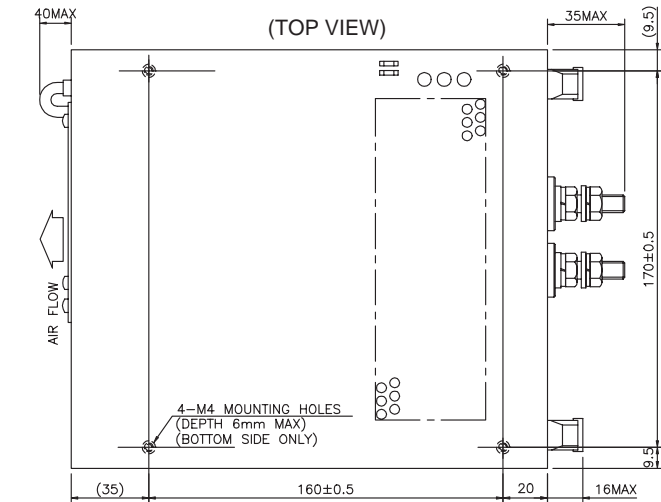


(FRONT VIEW)



(Unit: mm)

## SR660

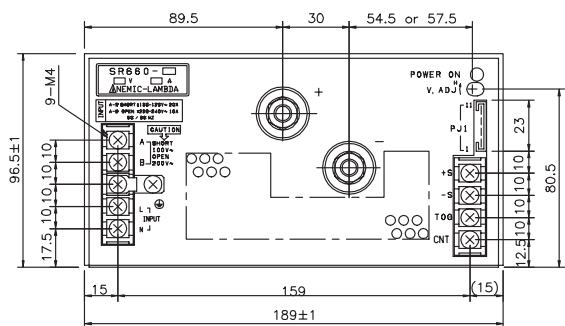


(LEFT SIDE VIEW)

● Recommended Noise Filter



(FRONT VIEW)



(Unit: mm)