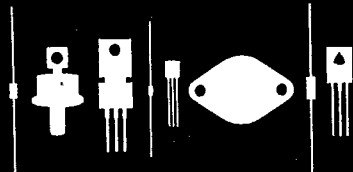


Central  
Semiconductor Corp.  
Central  
Semiconductor Corp.  
Central  
Semiconductor Corp.  
Central™  
Semiconductor Corp.

145 Adams Avenue  
Hauppauge, New York 11788



61 DE 1989963 0000290 2

CDSH-L SERIES

SILICON LOW CURRENT  
SCHOTTKY BARRIER DIODE

JEDEC DO-35 CASE

### DESCRIPTION

The CENTRAL SEMICONDUCTOR CDSH-L Series is a Silicon Schottky Barrier Diode designed for low current, fast switching applications. This series is an ideal candidate to replace germanium switching diodes and conventional silicon switching diodes where ultra fast switching speeds and very low forward voltage drops are required.

### MAXIMUM RATINGS (T<sub>A</sub>=25°C)

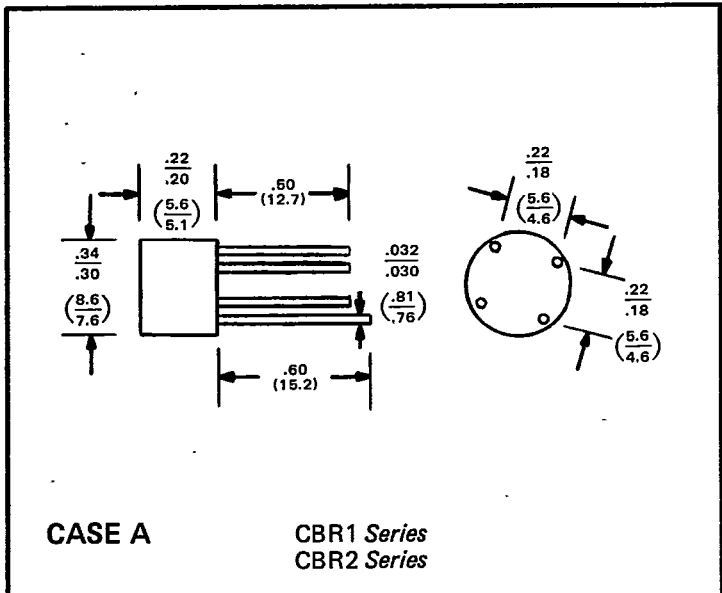
	SYMBOL	CDSH-L4	CDSH-L5	CDSH-L6	CDSH-L7	CDSH-L8	UNI
Peak Inverse Voltage	PIV	40	50	60	70	80	V
Average Forward Rectified Current	I <sub>0</sub>			15			mA
Power Dissipation	P <sub>D</sub>			400			mW
Operating and Storage Junction Temperature	T <sub>J</sub> , T <sub>stg</sub>			-65 TO +200			°C

### ELECTRICAL CHARACTERISTICS (T<sub>A</sub>=25°C)

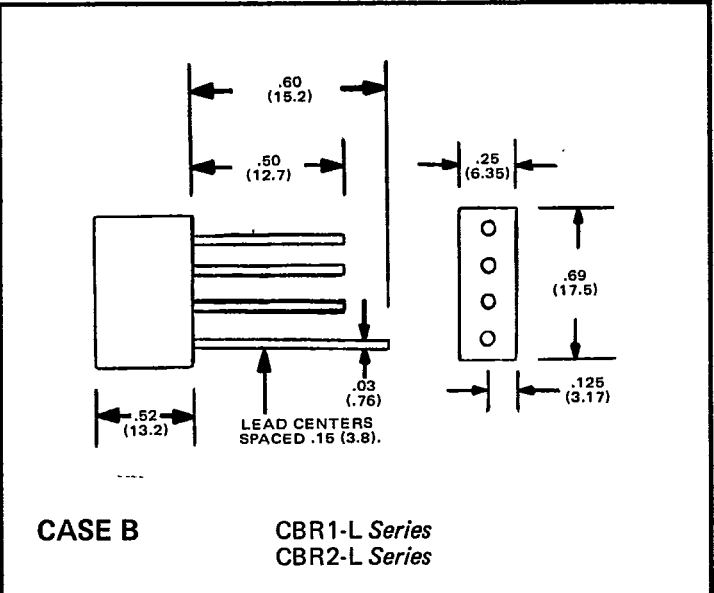
SYMBOL	TEST CONDITIONS	MIN	MAX	UNI
I <sub>R</sub>	V <sub>R</sub> =30V (CDSH-L4)		200	n
I <sub>R</sub>	V <sub>R</sub> =40V (CDSH-L5)		200	n
I <sub>R</sub>	V <sub>R</sub> =50V (CDSH-L6, L7, L8)		200	n
BV <sub>R</sub>	I <sub>R</sub> =10μA (CDSH-L4)	40		V
BV <sub>R</sub>	I <sub>R</sub> =10μA (CDSH-L5)	50		V
BV <sub>R</sub>	I <sub>R</sub> =10μA (CDSH-L6)	60		V
BV <sub>R</sub>	I <sub>R</sub> =10μA (CDSH-L7)	70		V
BV <sub>R</sub>	I <sub>R</sub> =10μA (CDSH-L8)	80		V
V <sub>F</sub>	I <sub>F</sub> =1.0mA		0.410	V
V <sub>F</sub>	I <sub>F</sub> =15mA		1.0	V
t <sub>rr</sub>	I <sub>F</sub> =I <sub>R</sub> =5.0mA, Rec to 0.1mA		1.0	n

# CASE OUTLINE DRAWINGS

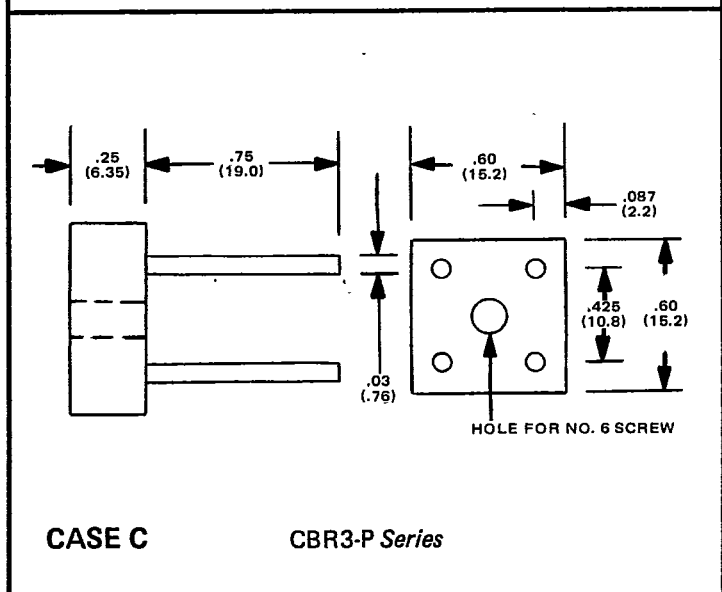
D



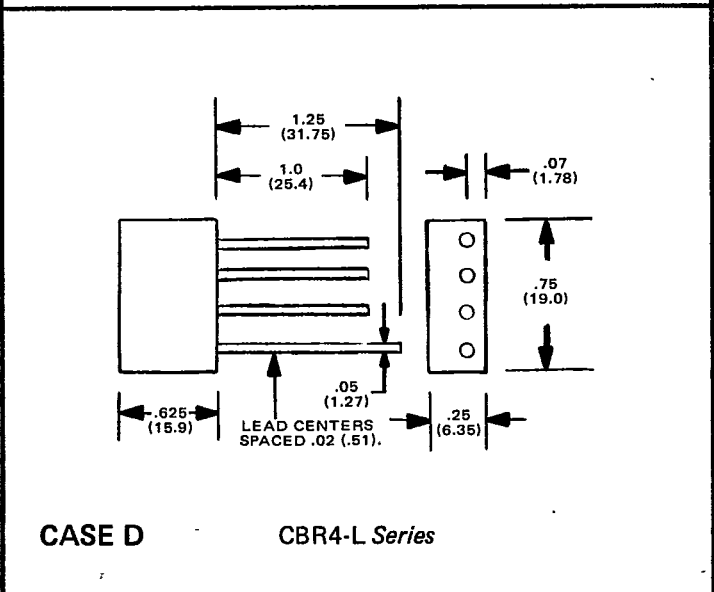
**CASE A** CBR1 Series  
CBR2 Series



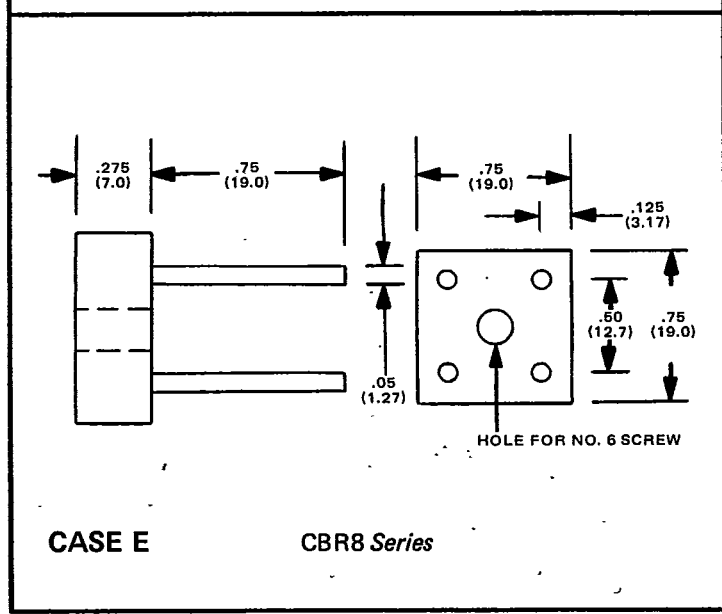
**CASE B** CBR1-L Series  
CBR2-L Series



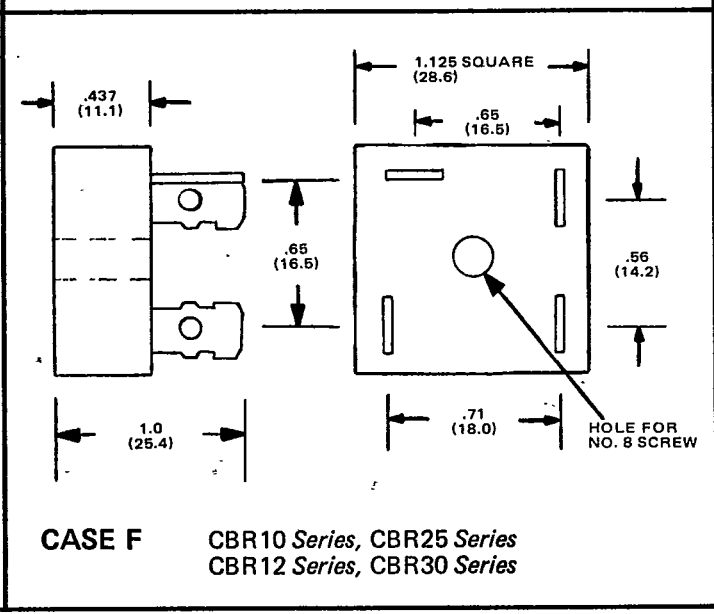
**CASE C** CBR3-P Series



**CASE D** CBR4-L Series



**CASE E** CBR8 Series



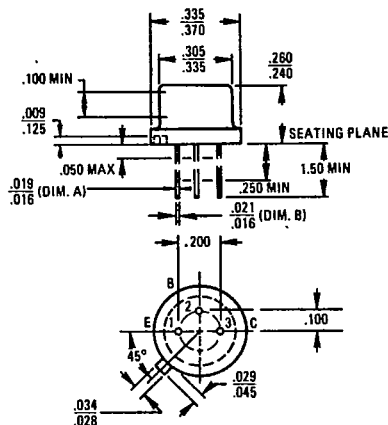
**CASE F** CBR10 Series, CBR25 Series  
CBR12 Series, CBR30 Series

All Dimensions in Inches (Millimeters)  
Drawings Not To Scale

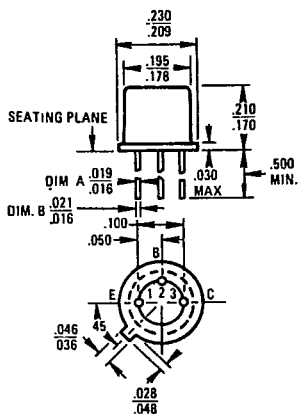
f

# MECHANICAL OUTLINE DRAWINGS

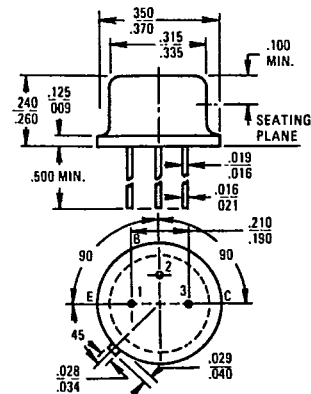
TO-5



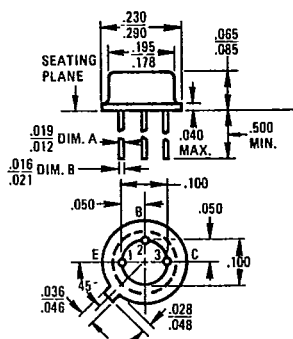
TO-18



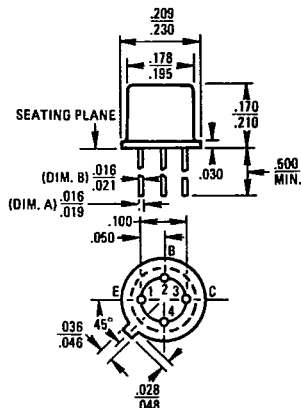
TO-39



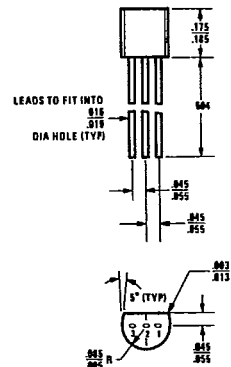
TO-46



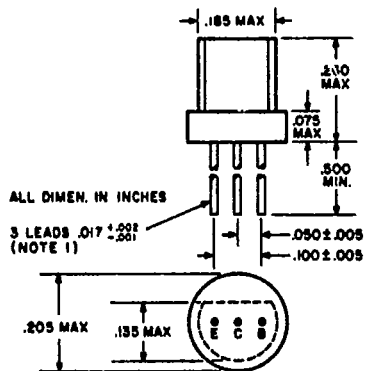
TO-72



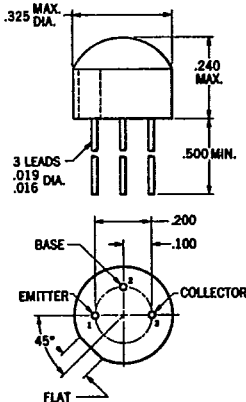
TO-92



TO-98



TO-105



TO-106

