



## FM/IF SYSTEM AND MICROCOMPUTER-BASED TUNING INTERFACE

### GENERAL DESCRIPTION

The TEA6000 is an FM/IF system circuit intended for microcomputer controlled radio receivers. The circuit includes an AM/FM-IF counter and an analogue-to-digital interface. The i.f. counter generates AM/FM precision tuning and accurate stop information.

### Features

- 3-stage IF limiter for driving a ratio detector
- 2-stage level detector with current output
- operational amplifier for active filtering (e.g. multipath detector)
- high resolution frequency counter for FM and AM IF-signals
- time base reference from crystal oscillator or external source (SAA1057)
- serial two wire bidirectional computer interface (I<sup>2</sup>C-bus)
- multiplexed 3 bit A/D converter for two input signals
- software controlled sensitivity for both ADC inputs

### QUICK REFERENCE DATA

Supply voltages ( $V_{P1}$ and $V_{P2}$ )	$V_p$	typ.	8,4 V
Supply current; ( $I_{P1} + I_{P2}$ )	$I_p$	typ.	36 mA
FM/IF sensitivity			
at –3 dB before limiting	$V_i$	typ.	150 $\mu$ V
Signal to noise ratio for $V_i = 10$ mV	S/N	typ.	80 dB
Audio output voltage			
$\Delta f = 22,5$ kHz; $V_i = 1$ mV	$V_O$	typ.	170 mV
$\Delta f = 75$ kHz; $V_i = 1$ mV	$V_O$	typ.	520 mV
AM suppression at $V_i = 10$ mV	AMS	typ.	58 dB
Frequency counter sensitivity			
AM (pin 18)	$V_{i(am)}$	typ.	60 $\mu$ V
FM (pin 16)	$V_{i(fm)}$	typ.	80 $\mu$ V
Resolution frequency counter			
AM	$f_{s(am)}$	typ.	250 Hz
FM	$f_{s(fm)}$	typ.	6,4 kHz
Power dissipation	$P_{tot}$	max.	1300 mW
Storage temperature	$T_{stg}$		–55 to + 150 °C
Operating ambient temperature	$T_{amb}$		–30 to + 85 °C

### PACKAGE OUTLINE

18-lead DIL; plastic (SOT102).

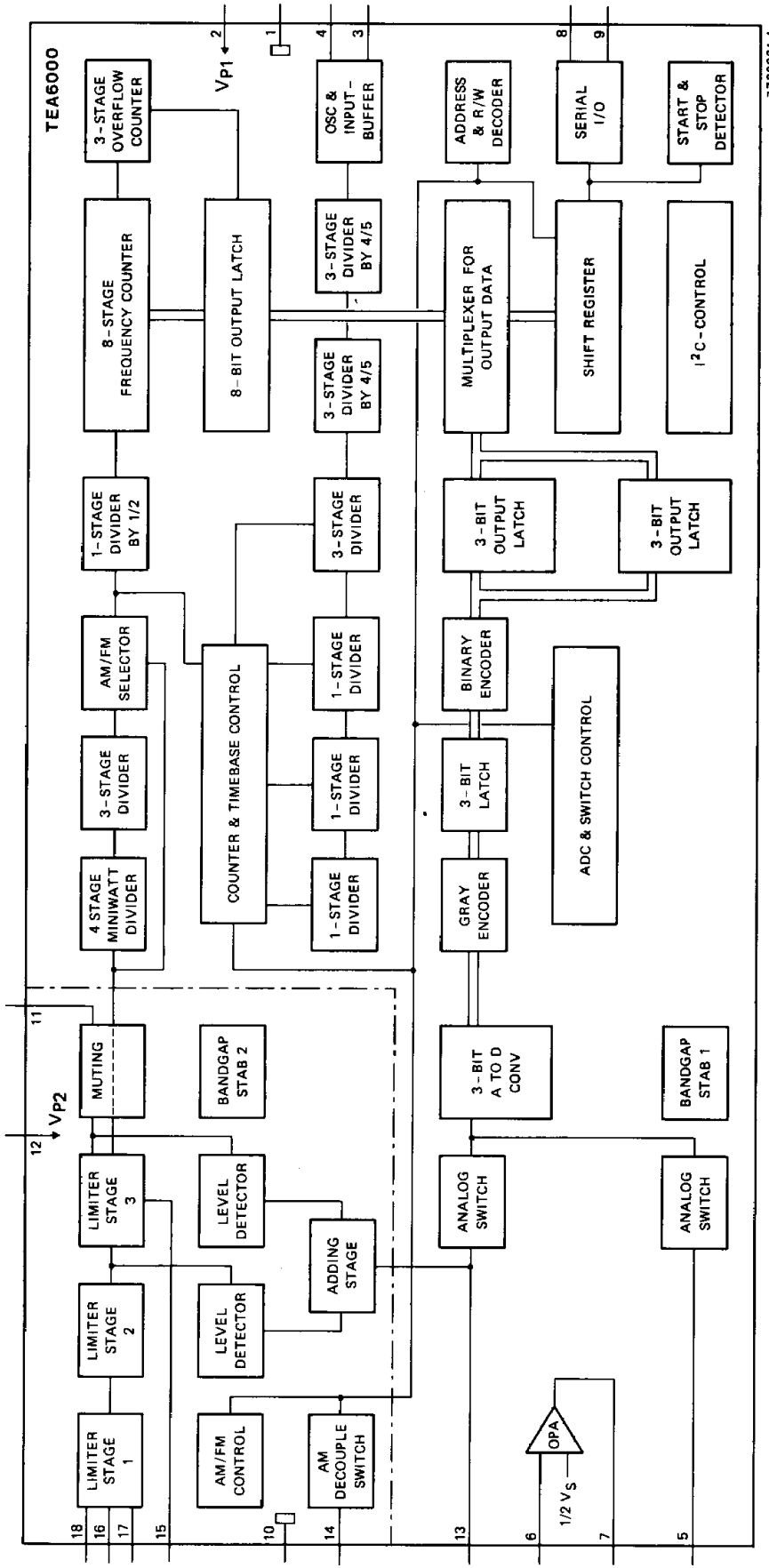


Fig. 1 Block diagram.

## FUNCTIONAL DESCRIPTION

The IF SECTION consists of three balanced differential stages with separated FM and AM inputs, directly coupled by emitter followers. The last stage also has separated outputs, which are intended for driving a ratio detector and the frequency measuring system respectively.

The last two stages are coupled via low-value capacitors to two LEVEL DETECTORS which generate a signal-dependent d.c. current for controlling channel separation and frequency response of a stereo decoder, multipath detector circuitry, AGC and the internal ADC.

The IF MUTING circuit has been incorporated to decrease the interstation noise by about 15 dB.

The 3-bit A/D CONVERTER has two inputs, which are selected via two multiplexed analogue switches. One of these switches is internally connected to the level detector output but can also serve as an external input, as the level detector output can be switched off. The outputs of the ADC are converted to a Gray code, latched and reconverted to a binary code to obtain glitch-free output data. The sensitivity of both inputs can be selected independently via software on two levels.

The reference for the ADC is derived from a BAND-GAP STABILIZER circuit. Multipath distortion on FM will generate an AM modulation on the d.c. voltage from the level detectors. This AM modulation can be filtered and rectified to obtain a multipath-dependent d.c. voltage. This voltage can be applied to the other input of the ADC.

To facilitate filtering an OPERATIONAL AMPLIFIER (OPA) is incorporated on the chip. The typical circuit diagram for a multipath filter is given in Fig. 4.

The FREQUENCY COUNTER is preceded by a 7-stage prescaler for FM, and FM/AM selector stage and a divider by 1 or 2. The actual counter is a presetable and resetable 8-stage counter with a 3-stage data disable overflow counter, which can be switched off. The eight significant output bits are situated symmetrically around 10,7 MHz and 460 kHz, when the external timebase source is used (e.g. SAA1057). See Table 1.

The reference for the TIMEBASE is primarily thought to be the SAA1057. This circuit generates from its 4 MHz crystal oscillator a 32 or 40 kHz signal. This signal is buffered and applied to the timebase circuitry (mode I). The circuit diagram for this mode I is given in Fig. 5a.

In the timebase, the selection is made for reference frequency (32 to 40 kHz), FM or AM mode and the width of the measuring window, all under software control. Accuracy  $\pm \frac{1}{2}$  bit when the window is set to wide (see Fig. 2) and  $\pm 1$  bit when set to narrow. A special feature is the synchronization of the measuring cycle with the input DATA of the I<sup>2</sup>C-bus, meaning the measuring cycle starts immediately after a "WRITE" instruction via the I<sup>2</sup>C-bus.

For those who do not use the SAA1057 as reference, a 2<sup>15</sup> Hz crystal (32 768 Hz) can be connected to the reference inputs directly, obtaining a quartz-oscillator reference. See Fig. 5b for the circuit diagram for this mode II.

When the circuit is used in mode II a correction has to be made to the values of window width and resolution as the cheap watch crystals differ by about 2,4% from the frequency generated by the SAA1057 (32 768 and 32 000 kHz respectively) See Table 2.

Communication between MUSTI and the microcomputer is accomplished via the two-wire bidirectional I<sup>2</sup>C-bus (slave transceiver version); the SDA (serial data) and SCL (serial clock).

To prevent crosstalk between the digital and analogue parts of the circuit the power supply lines are fully isolated.

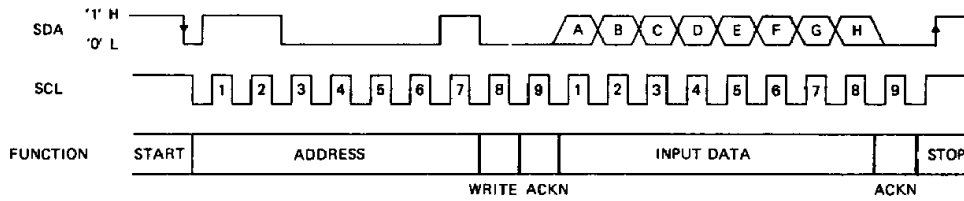


Fig. 2 Input data format waveforms.

Input bits

bit	function	"0"	"1"	reference to Fig. 2
1	reference frequency	32 kHz	40 kHz	A
2	sensitivity ADC2	LOW	HIGH	B
3	sensitivity ADC1	LOW	HIGH	C
4	level detector output	off	on	D
5	AM/FM	AM	FM	E
6	overflow counter	off	on	F
7	measuring window	narrow	wide	G
8	test mode	off	on	H

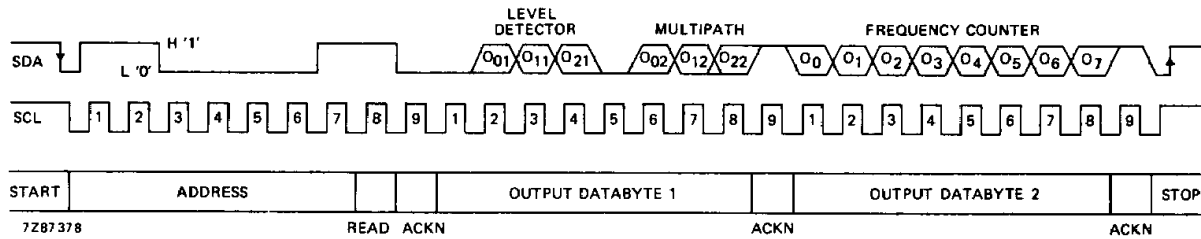


Fig. 3 Output data format waveforms.

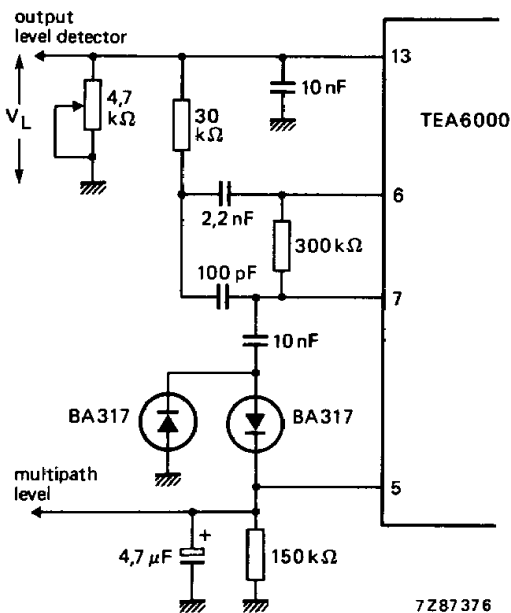


Fig. 4 Multipath detector circuit.

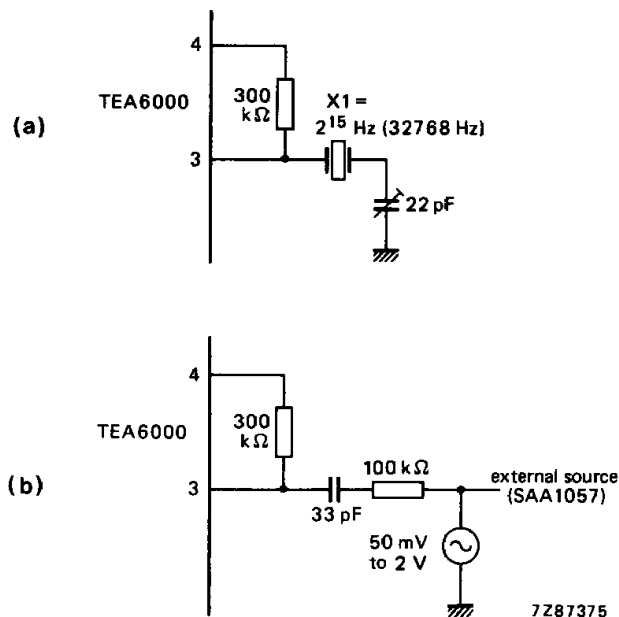


Fig. 5 Oscillator/buffer circuits.  
X1 = 2<sup>15</sup> Hz (32 768 Hz).

**RATINGS**

Limiting values in accordance with the Absolute Maximum System (IEC 134)

Supply voltage					
pin 2	$V_{P1}$	max.	13,2	V	
pin 12	$V_{P2}$	max.	13,2	V	
Power dissipation	$P_{tot}$	max.	1300	mW	
Storage temperature	$T_{stg}$		-55 to +150	°C	
Operating ambient temperature	$T_{amb}$		-30 to +85	°C	

**THERMAL RESISTANCE**From crystal to ambient  $R_{th\ c-a} = 50\ K/W$ **D.C. CHARACTERISTICS** $V_{P1} = V_{P2} = 8,4\ V$ ;  $T_{amb} = 25\ ^\circ C$ , unless otherwise specified.

parameter	symbol	min.	typ.	max.	unit
Supply voltage					
(pin 2)	$V_{P1}$	7,6	8,4	9,2	V
(pin 12)	$V_{P2}$	7,6	8,4	9,2	V
Supply current AM mode					
pin 2	$I_{P1}$	—	18,5	—	mA
pin 12	$I_{P2}$	—	17,4	—	mA
Supply current FM mode					
pin 2	$I_{P1}$	—	19,2	—	mA
pin 12	$I_{P2}$	—	16,4	—	mA
Power dissipation	$P_{tot}$	—	350	—	mW

**A.C. CHARACTERISTICS** (see Fig. 6) $V_{P1} = V_{P2} = 8,4\ V$ ;  $V_{16-10} = 1\ mV$ ;  $f = 10,7\ MHz$ ;  $\Delta f = 22,5\ kHz$ ;  $f_m = 1\ kHz$ ; unless otherwise specified.

parameter	symbol	min.	typ.	max.	unit
Sensitivity					
at -3 dB before limiting	$V_{I(FM)}$	—	150	—	$\mu V$
Signal-to-noise ratio, FM input					
$V_i = 20\ \mu V$	S/N	40	46	—	dB
$V_i = 150\ \mu V$	S/N	—	64	—	dB
$V_i = 1\ mV$	S/N	—	76	—	dB
$V_i = 10\ mV$	S/N	—	80	—	dB
Noise output voltage					
$V_i = 0\ V$ ; with muting, switch S1 on	$V_{no}$	—	55	—	$\mu V$
$V_i = 0\ V$ ; without muting, S1 off	$V_{no}$	—	420	—	$\mu V$
Audio output voltage					
$\Delta f = 22,5\ kHz$	$V_O$	—	170	—	mV
$\Delta f = 75\ kHz$	$V_O$	—	520	—	mV

## A.C. CHARACTERISTICS (continued)

parameter	symbol	min.	typ.	max.	unit
<b>AM suppression</b>					
ratio of the AM output signal referred to the FM signal ( $m = 0,3$ )					
$V_i = 150 \mu\text{V}$	AMS	—	46	—	dB
$V_i = 1 \text{ mV}$	AMS	—	62	—	dB
$V_i = 10 \text{ mV}$	AMS	—	58	—	dB
$V_i = 100 \text{ mV}$	AMS	—	60	—	dB
<b>Level detector output voltage (Fig. 4)</b>					
$R_{13-10} = 4,7 \text{ k}\Omega$ ; $V_i = 10 \text{ mV}$ , FM mode	$V_L$	—	6,2	—	V
<b>Level detector output voltage slope</b>					
$R_{13-10}$ adjusted in FM mode for					
$V_L = 5,5 \text{ V}$ at $V_i = 10 \text{ mV}$ ; $f = 10,7 \text{ MHz}$					
$V_i = 0 \text{ V}$ (pin 16)	$V_L(\text{FM})$	—	130	—	mV
$V_i = 140 \mu\text{V}$	$V_L(\text{FM})$	—	1,3	—	V
$V_i = 1 \text{ mV}$	$V_L(\text{FM})$	—	2,7	—	V
$V_i = 3 \text{ mV}$	$V_L(\text{FM})$	—	4,4	—	V
$R_{13-10}$ adjusted in FM mode (see above)					
$V_i = 0 \text{ V}$ , $f = 460 \text{ kHz}$ (pin 18)	$V_L(\text{AM})$	—	200	—	mV
$V_i = 1 \text{ mV}$ , $f = 460 \text{ kHz}$ (pin 18)	$V_L(\text{AM})$	—	1,4	—	V
$V_i = 10 \text{ mV}$ , $f = 460 \text{ kHz}$ (pin 18)	$V_L(\text{AM})$	—	2,7	—	V
<b>Frequency counter sensitivity</b>					
AM input voltage (pin 18)	$V_I(\text{AM})$	—	60	—	$\mu\text{V}$
FM input voltage (pin 16)	$V_I(\text{FM})$	—	80	—	$\mu\text{V}$
AM input impedance	$R_i$	—	30	—	$\text{k}\Omega$
<b>BUS inputs</b>					
SDA and SCL (pins 9 and 8)					
input voltage HIGH	$V_{IH}$	3,0	—	$V_{P1}$	V
input voltage LOW	$V_{IL}$	-0,3	—	1,5	V
input current HIGH	$I_{IH}$	—	—	10	$\mu\text{A}$
input current LOW	$I_{IL}$	—	—	10	$\mu\text{A}$
acknowledge sink current	$I_{ack}$	—	—	2	mA
maximum input frequency	$f_i \text{ max}$	100	—	—	kHz
<b>Output voltage SDA</b>					
HIGH; $4 \text{ k}\Omega$ to $8,4 \text{ V}$	$V_{OH}$	8,0	—	—	V
LOW; $I = 2 \text{ mA}$	$V_{OL}$	—	—	0,4	V

parameter	symbol	min.	typ.	max.	unit
A/D converter (pin 5 and 13)					
input resistance	$R_i$		t.b.f.		$k\Omega$
input capacitance	$C_i$		t.b.f.		pF
Trip levels, sensitivity bit HIGH					
level 1	$V_T$	—	0,6	—	V
level 2	$V_T$	—	1,06	—	V
level 3	$V_T$	—	1,38	—	V
level 4	$V_T$	—	1,84	—	V
level 5	$V_T$	—	2,14	—	V
level 6	$V_T$	—	2,55	—	V
level 7	$V_T$	—	2,97	—	V
Trip levels, sensitivity bit LOW					
level 1	$V_T$	—	0,96	—	V
level 2	$V_T$	—	1,78	—	V
level 3	$V_T$	—	2,44	—	V
level 4	$V_T$	—	3,26	—	V
level 5	$V_T$	—	3,92	—	V
level 6	$V_T$	—	4,63	—	V
level 7	$V_T$	—	5,38	—	V
Crystal oscillator (see Fig. 5)					
reference frequency	$f_{ref}$	32	32,768	40	kHz
temperature coefficient	TC		t.b.f.		$10^{-6}$
input resistance	$R_i$		t.b.f.		$k\Omega$
input capacitance	$C_i$		t.b.f.		pF
Operational amplifier (pins 6 and 7)					
voltage gain	$G_V$	—	$10^4$	—	
input bias current	$I_{bias}$	—	30	100	nA
output sink current at $V_O = 1$ V	$I_o$	—	0,2	—	mA
output source current at $V_O = 7,4$ V	$I_o$	5,5	10	—	mA
output voltage swing	$V_{7(p-p)}$	—	5,5	—	V
Frequency measuring system (see pages 8 and 9)					
measuring windows; $f_{ref} = 32$ or $40$ kHz					
AM					
window "0" (LOW)	$t_{gate}$	—	4	—	ms
window "1" (HIGH)	$t_{gate}$	—	8	—	ms
FM					
window "0" (LOW)	$t_{gate}$	—	20	—	ms
window "1" (HIGH)	$t_{gate}$	—	40	—	ms
resolution frequency counter					
AM	$f_s(am)$	—	250	—	Hz
FM	$f_s(fm)$	—	6,4	—	kHz

$t_{gate}$  has to be multiplied by  $32\,000/32\,768$  for a  $f_{ref}$  of  $2^{15}$  Hz.

$f_s$  has to be multiplied by  $32\,768/32\,000$  for a  $f_{ref}$  of  $2^{15}$  Hz.

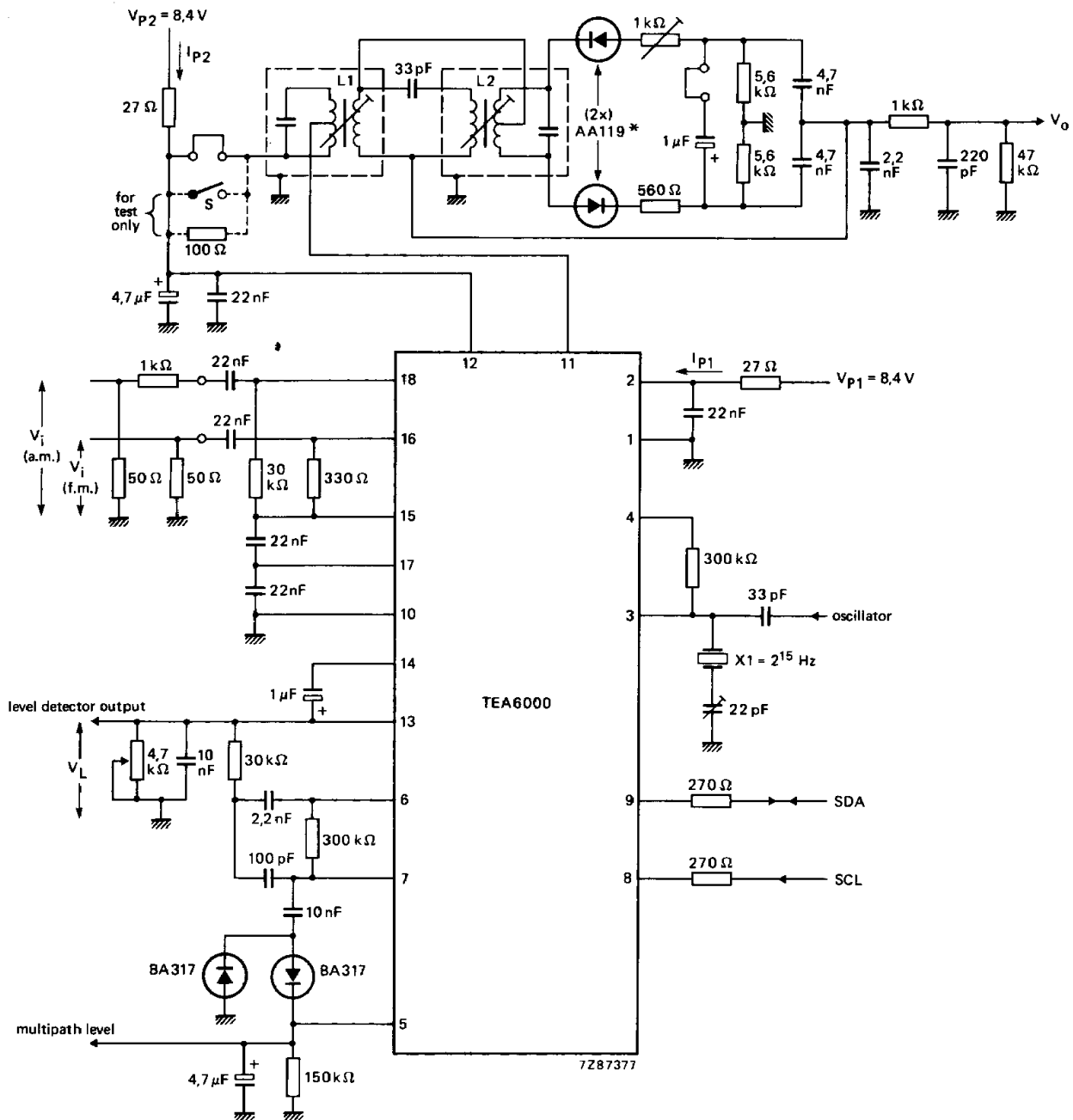
TABLE 1 REFERENCE FREQUENCY 32 000 Hz (SAA1057)

AM (kHz)	READ OUT	FM (MHz)	AM (kHz)	READ OUT	FM (MHz)	AM (kHz)	READ OUT	FM (MHz)	AM (kHz)	READ OUT	FM (MHz)	AM (kHz)	READ OUT	FM (MHz)
428.25	'00'	5.888	441.00	'33'	10.214	453.75	'66'	10.541	466.50	'99'	10.867	479.25	'CC'	11.194
428.50	'01'	5.894	441.25	'34'	10.221	454.00	'67'	10.547	466.75	'9A'	10.874	479.50	'CD'	11.200
428.75	'02'	5.901	441.50	'35'	10.227	454.25	'68'	10.554	467.00	'9B'	10.880	479.75	'CE'	11.206
429.00	'03'	5.907	441.75	'36'	10.234	454.50	'69'	10.560	467.25	'9C'	10.886	480.00	'CF'	11.213
429.25	'04'	5.914	442.00	'37'	10.240	454.75	'6A'	10.566	467.50	'9D'	10.893	480.25	'D0'	11.219
429.50	'05'	5.920	442.25	'38'	10.246	455.00	'6B'	10.573	467.75	'9E'	10.899	480.50	'D1'	11.226
429.75	'06'	5.926	442.50	'39'	10.253	455.25	'6C'	10.579	468.00	'9F'	10.906	480.75	'D2'	11.232
430.00	'07'	5.933	442.75	'3A'	10.259	455.50	'6D'	10.586	468.25	'A0'	10.912	481.00	'D3'	11.238
430.25	'08'	5.939	443.00	'3B'	10.266	455.75	'6E'	10.592	468.50	'A1'	10.918	481.25	'D4'	11.245
430.50	'09'	5.946	443.25	'3C'	10.272	456.00	'6F'	10.598	468.75	'A2'	10.925	481.50	'D5'	11.251
430.75	'0A'	5.952	443.50	'3D'	10.278	456.25	'70'	10.605	469.00	'A3'	10.931	481.75	'D6'	11.258
431.00	'0B'	5.958	443.75	'3E'	10.285	456.50	'71'	10.611	469.25	'A4'	10.938	482.00	'D7'	11.264
431.25	'0C'	5.965	444.00	'3F'	10.291	456.75	'72'	10.618	469.50	'A5'	10.944	482.25	'D8'	11.270
431.50	'0D'	5.971	444.25	'40'	10.298	457.00	'73'	10.624	469.75	'A6'	10.950	482.50	'D9'	11.277
431.75	'0E'	5.978	444.50	'41'	10.304	457.25	'74'	10.630	470.00	'A7'	10.957	482.75	'DA'	11.283
432.00	'0F'	5.984	444.75	'42'	10.310	457.50	'75'	10.637	470.25	'A8'	10.963	483.00	'DB'	11.290
432.25	'10'	5.990	445.00	'43'	10.317	457.75	'76'	10.643	470.50	'A9'	10.970	483.25	'DC'	11.296
432.50	'11'	5.997	445.25	'44'	10.323	458.00	'77'	10.650	470.75	'AA'	10.976	483.50	'DD'	11.302
432.75	'12'	10.003	445.50	'45'	10.330	458.25	'78'	10.656	471.00	'AB'	10.982	483.75	'DE'	11.309
433.00	'13'	10.010	445.75	'46'	10.336	458.50	'79'	10.662	471.25	'AC'	10.989	484.00	'DF'	11.315
433.25	'14'	10.016	446.00	'47'	10.342	458.75	'7A'	10.669	471.50	'AD'	10.995	484.25	'E0'	11.322
433.50	'15'	10.022	446.25	'48'	10.349	459.00	'7B'	10.675	471.75	'AE'	11.002	484.50	'E1'	11.328
433.75	'16'	10.029	446.50	'49'	10.355	459.25	'7C'	10.682	472.00	'AF'	11.008	484.75	'E2'	11.334
434.00	'17'	10.035	446.75	'4A'	10.362	459.50	'7D'	10.688	472.25	'B0'	11.014	485.00	'E3'	11.341
434.25	'18'	10.042	447.00	'4B'	10.368	459.75	'7E'	10.694	472.50	'B1'	11.021	485.25	'E4'	11.347
434.50	'19'	10.048	447.25	'4C'	10.374	460.00	'7F'	10.701	472.75	'B2'	11.027	485.50	'E5'	11.354
434.75	'1A'	10.054	447.50	'4D'	10.381	460.25	'80'	10.707	473.00	'B3'	11.034	485.75	'E6'	11.360
435.00	'18'	10.061	447.75	'4E'	10.387	460.50	'81'	10.714	473.25	'B4'	11.040	486.00	'E7'	11.366
435.25	'1C'	10.067	448.00	'4F'	10.394	460.75	'82'	10.720	473.50	'B5'	11.046	486.25	'E8'	11.373
435.50	'1D'	10.074	448.25	'50'	10.400	461.00	'83'	10.726	473.75	'B6'	11.053	486.50	'E9'	11.379
435.75	'1E'	10.080	448.50	'51'	10.406	461.25	'84'	10.733	474.00	'B7'	11.059	486.75	'EA'	11.386
436.00	'1F'	10.086	448.75	'52'	10.413	461.50	'85'	10.739	474.25	'B8'	11.066	487.00	'E8'	11.392
436.25	'20'	10.093	449.00	'53'	10.419	461.75	'86'	10.746	474.50	'B9'	11.072	487.25	'EC'	11.398
436.50	'21'	10.099	449.25	'54'	10.426	462.00	'87'	10.752	474.75	'BA'	11.078	487.50	'ED'	11.405
436.75	'22'	10.106	449.50	'55'	10.432	462.25	'88'	10.758	475.00	'BB'	11.085	487.75	'EE'	11.411
437.00	'23'	10.112	449.75	'56'	10.438	462.50	'89'	10.765	475.25	'BC'	11.091	488.00	'EF'	11.418
437.25	'24'	10.118	450.00	'57'	10.445	462.75	'8A'	10.771	475.50	'BD'	11.098	488.25	'F0'	11.424
437.50	'25'	10.125	450.25	'58'	10.451	463.00	'8B'	10.778	475.75	'BE'	11.104	488.50	'F1'	11.430
437.75	'26'	10.131	450.50	'59'	10.458	463.25	'8C'	10.784	476.00	'BF'	11.110	488.75	'F2'	11.437
438.00	'27'	10.138	450.75	'5A'	10.464	463.50	'8D'	10.790	476.25	'C0'	11.117	489.00	'F3'	11.443
438.25	'28'	10.144	451.00	'5B'	10.470	463.75	'8E'	10.797	476.50	'C1'	11.123	489.25	'F4'	11.450
438.50	'29'	10.150	451.25	'5C'	10.477	464.00	'8F'	10.803	476.75	'C2'	11.130	489.50	'F5'	11.456
439.00	'28'	10.163	451.50	'5D'	10.483	464.25	'90'	10.810	477.00	'C3'	11.136	489.75	'F6'	11.462
439.25	'2C'	10.170	451.75	'5E'	10.490	464.50	'91'	10.816	477.25	'C4'	11.142	490.00	'F7'	11.469
439.50	'2D'	10.176	452.00	'5F'	10.496	464.75	'92'	10.822	477.50	'C5'	11.149	490.25	'F8'	11.475
439.75	'2E'	10.182	452.25	'60'	10.502	465.00	'93'	10.829	477.75	'C6'	11.155	490.50	'F9'	11.482
440.00	'2F'	10.189	452.50	'61'	10.509	465.25	'94'	10.835	478.00	'C7'	11.162	490.75	'FA'	11.488
440.25	'30'	10.195	452.75	'62'	10.515	465.50	'95'	10.842	478.25	'C8'	11.168	491.00	'FB'	11.494
440.50	'31'	10.202	453.00	'63'	10.522	465.75	'96'	10.848	478.50	'C9'	11.174	491.25	'FC'	11.501
440.75	'32'	10.208	453.25	'64'	10.528	466.00	'97'	10.854	478.75	'CA'	11.181	491.50	'FD'	11.507
441.00	'33'	10.214	453.50	'65'	10.534	466.25	'98'	10.861	479.00	'CB'	11.187	491.75	'FE'	11.514



TABLE 2 REFERENCE FREQUENCY 32 768 Hz (2<sup>15</sup> Hz)

AM (kHz)	READ OUT	FM (MHz)	AM (kHz)	READ OUT	FM (MHz)	AM (kHz)	READ OUT	FM (MHz)	AM (kHz)	READ OUT	FM (MHz)
434.53	'00	10.125	451.51	'33	10.460	464.84	'66	10.794	477.70	'99	11.128
438.78	'01	10.132	451.84	'34	10.466	464.90	'67	10.800	477.95	'9A	11.135
439.04	'02	10.138	452.10	'35	10.473	465.15	'68	10.807	478.21	'9B	11.141
439.30	'03	10.145	452.35	'36	10.479	465.41	'69	10.813	478.46	'9C	11.147
439.55	'04	10.152	452.61	'37	10.486	465.66	'6A	10.820	478.72	'9D	11.154
439.81	'05	10.158	452.86	'38	10.492	465.92	'6B	10.827	478.98	'9E	11.161
440.06	'06	10.165	453.12	'39	10.499	466.18	'6C	10.833	479.23	'9F	11.167
440.32	'07	10.171	453.38	'3A	10.505	466.43	'6D	10.840	479.49	'A0	11.174
440.58	'08	10.178	453.63	'3B	10.512	466.69	'6E	10.846	479.74	'A1	11.180
440.83	'09	10.184	453.89	'3C	10.519	466.94	'6F	10.853	480.00	'A2	11.187
441.09	'0A	10.191	454.14	'3D	10.525	467.20	'70	10.859	480.26	'A3	11.194
441.34	'0B	10.197	454.40	'3E	10.532	467.46	'71	10.866	480.51	'A4	11.200
441.60	'0C	10.204	454.66	'3F	10.538	467.71	'72	10.872	480.77	'A5	11.207
441.86	'0D	10.211	454.91	'40	10.545	467.97	'73	10.879	481.02	'A6	11.213
442.11	'0E	10.217	455.17	'41	10.551	468.22	'74	10.886	481.28	'A7	11.220
442.37	'0F	10.224	455.42	'42	10.558	468.48	'75	10.892	481.54	'A8	11.226
442.62	'10	10.230	455.68	'43	10.564	468.74	'76	10.899	481.79	'A9	11.233
442.88	'11	10.237	455.94	'44	10.571	468.99	'77	10.905	482.05	'AA	11.239
443.14	'12	10.243	456.19	'45	10.578	469.25	'78	10.912	482.30	'AB	11.246
443.39	'13	10.250	456.45	'46	10.584	469.50	'79	10.918	482.56	'AC	11.253
443.65	'14	10.256	456.70	'47	10.591	469.76	'7A	10.925	482.82	'AD	11.259
443.90	'15	10.263	456.96	'48	10.597	470.02	'7B	10.931	483.07	'AE	11.266
444.16	'16	10.269	457.22	'49	10.604	470.27	'7C	10.938	483.33	'AF	11.272
444.42	'17	10.276	457.47	'4A	10.610	470.53	'7D	10.945	483.58	'B0	11.279
444.67	'18	10.283	457.73	'4B	10.617	470.79	'7E	10.951	483.84	'B1	11.285
444.93	'19	10.289	457.98	'4C	10.623	471.04	'7F	10.958	484.10	'B2	11.292
445.18	'1A	10.296	458.24	'4D	10.630	471.30	'80	10.964	484.35	'B3	11.298
445.44	'1B	10.302	458.50	'4E	10.636	471.55	'81	10.971	484.61	'B4	11.305
445.70	'1C	10.309	458.75	'4F	10.643	471.81	'82	10.977	484.86	'B5	11.312
445.95	'1D	10.315	459.01	'50	10.650	472.06	'83	10.984	485.12	'B6	11.318
446.21	'1E	10.322	459.26	'51	10.656	472.32	'84	10.990	485.38	'B7	11.325
446.46	'1F	10.328	459.52	'52	10.663	472.58	'85	10.997	485.63	'B8	11.331
446.72	'20	10.335	459.78	'53	10.669	472.83	'86	11.003	485.89	'B9	11.338
446.98	'21	10.342	460.03	'54	10.676	473.09	'87	11.010	486.14	'BA	11.344
447.23	'22	10.348	460.29	'55	10.682	473.34	'88	11.017	486.40	'BB	11.351
447.49	'23	10.355	460.54	'56	10.689	473.60	'89	11.023	486.66	'BC	11.357
447.74	'24	10.361	460.80	'57	10.695	473.86	'8A	11.030	486.91	'BD	11.364
448.00	'25	10.368	461.06	'58	10.702	474.11	'8B	11.036	487.17	'BE	11.370
448.26	'26	10.374	461.31	'59	10.709	474.37	'8C	11.043	487.42	'BF	11.377
448.51	'27	10.381	461.57	'5A	10.715	474.62	'8D	11.049	487.68	'C0	11.384
448.77	'28	10.387	461.82	'5B	10.722	474.88	'8E	11.056	487.94	'C1	11.390
449.02	'29	10.394	462.08	'5C	10.728	475.14	'8F	11.062	488.19	'C2	11.397
449.28	'2A	10.401	462.34	'5D	10.735	475.39	'90	11.069	488.45	'C3	11.403
449.54	'2B	10.407	462.59	'5E	10.741	475.65	'91	11.076	488.70	'C4	11.410
449.79	'2C	10.414	462.85	'5F	10.748	475.90	'92	11.082	488.96	'C5	11.416
450.05	'2D	10.420	463.10	'60	10.754	476.16	'93	11.089	489.22	'C6	11.423
450.30	'2E	10.427	463.36	'61	10.761	476.42	'94	11.095	489.47	'C7	11.429
450.56	'2F	10.433	463.62	'62	10.768	476.67	'95	11.102	489.73	'C8	11.436
450.82	'30	10.440	463.87	'63	10.774	476.93	'96	11.108	489.98	'C9	11.443
451.07	'31	10.446	464.13	'64	10.781	477.18	'97	11.115	490.24	'CA	11.449
451.33	'32	10.453	464.38	'65	10.787	477.44	'98	11.121	490.50	'CB	11.456



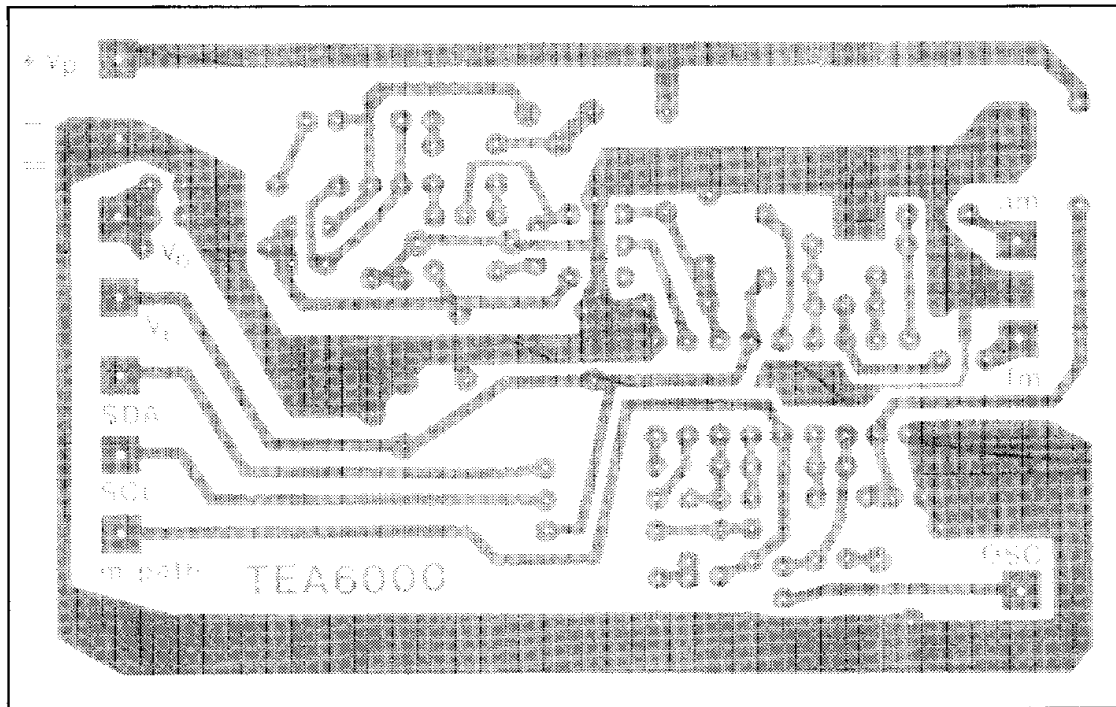
L1 = 3122 138 2021/TOKO 85 ACS-4238 A  
 L2 = 3122 138 2022/TOKO 85 ACS-4260 SEJ

Fig. 6 MUSTI test and application circuit.

Germanium diodes AA119 are required in the test circuit only.

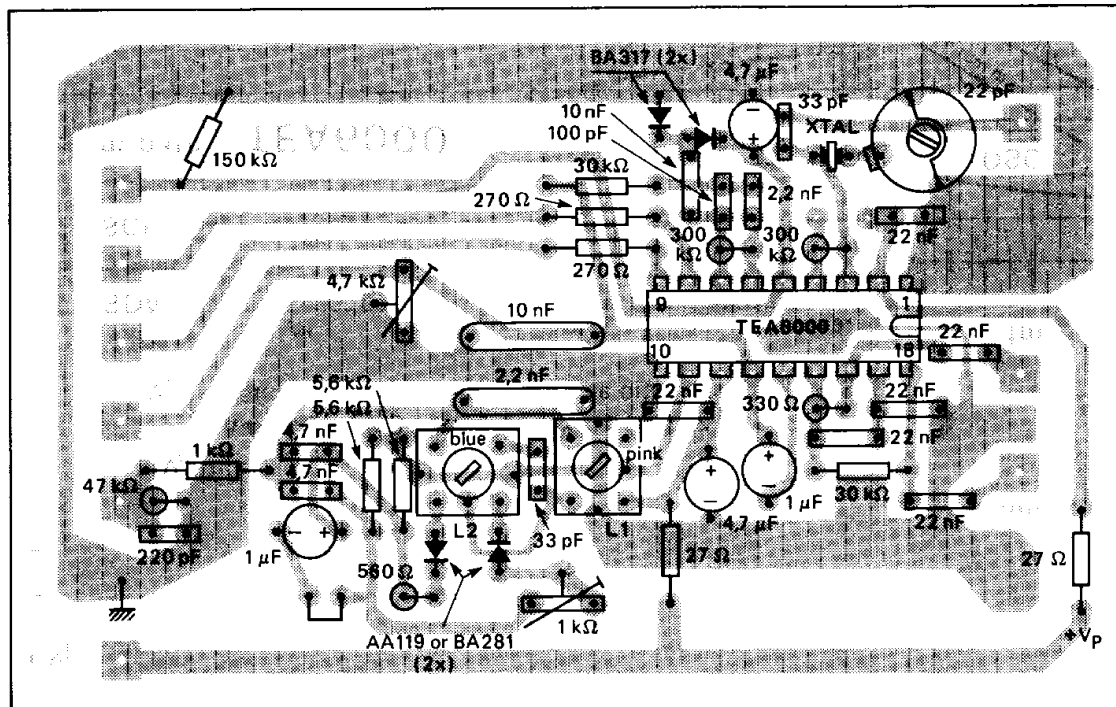
In a complete FM channel (inclusive FM front end) the silicon diodes BA281 are recommended.

S open = without muting } for measuring purpose only.  
 S closed = with muting }



7287380

Fig. 7 Track side of printed-circuit board.



7287379

Fig. 8 Component side of printed-circuit board.

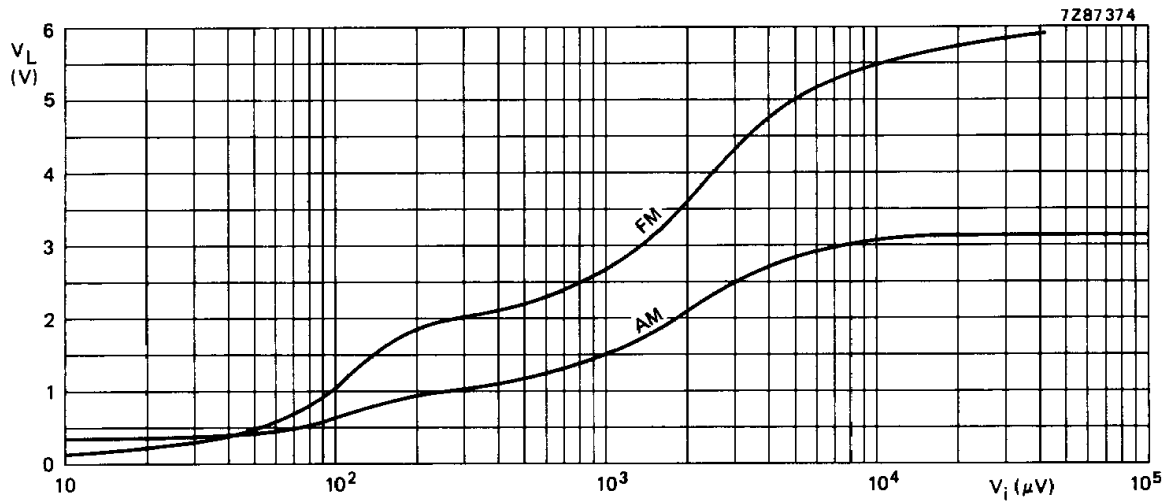


Fig. 9 Level detector output as a function of input voltage.

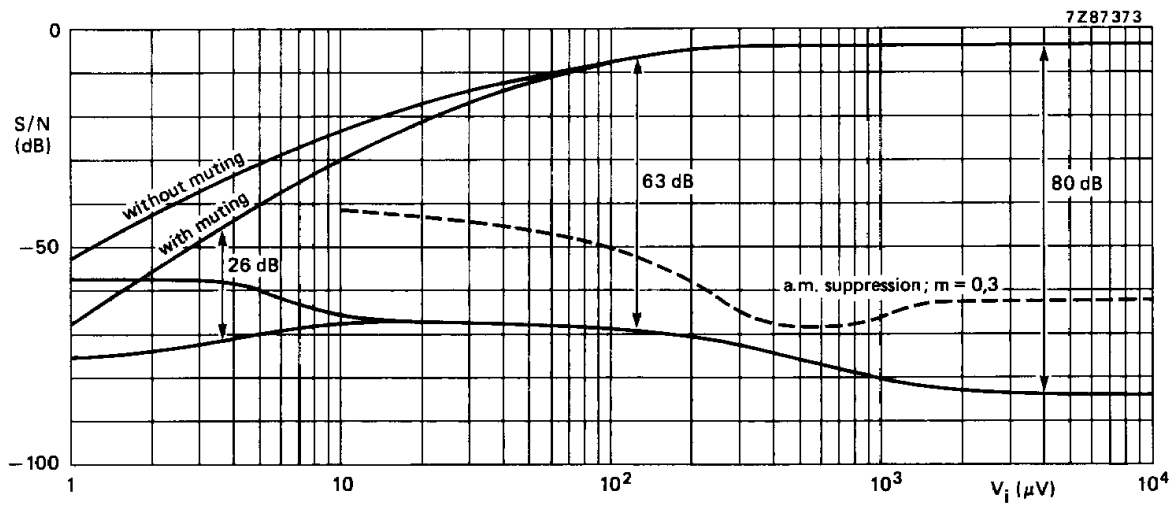


Fig. 10 Signal-to-noise ratio as a function of FM input voltage.  
 $f_i = 10,7$  MHz;  $\Delta f = 22,5$  kHz;  $f_{mod} = 1$  kHz; 0 dB = 245 mV.