

# DATA SHEET

## **TEA1113**

Low voltage versatile telephone  
transmission circuit with dialler  
interface

Product specification  
Supersedes data of 1996 Feb 08  
File under Integrated Circuits, IC03

1997 Mar 27

## Low voltage versatile telephone transmission circuit with dialler interface

TEA1113

### FEATURES

- Low DC line voltage; operates down to 1.6 V (excluding polarity guard)
- Voltage regulator with adjustable DC voltage
- Provides a supply for external circuits
- Symmetrical high impedance inputs (64 k $\Omega$ ) for dynamic, magnetic or piezo-electric microphones
- Asymmetrical high impedance input (32 k $\Omega$ ) for electret microphones
- DTMF input with confidence tone
- $\overline{\text{MUTE}}$  input for pulse or DTMF dialling
- Receiving amplifier for dynamic, magnetic or piezo-electric earpieces
- Dynamic limitation in the transmit direction to prevent distortion of the transmit line and sidetone signals
- AGC line loss compensation for microphone and earpiece amplifiers
- LED on-hook/off-hook status indication
- Microphone mute function available with switch.

### APPLICATION

- Line powered telephone sets, cordless telephones, fax machines and answering machines.

### GENERAL DESCRIPTION

The TEA1113 is a bipolar integrated circuit that performs all speech and line interface functions required in fully electronic telephone sets. It performs electronic switching between speech and dialling. The IC operates at a line voltage down to 1.6 V DC (with reduced performance) to facilitate the use of telephone sets connected in parallel.

A current (proportional to the line current and internally limited to 19.5 mA) is available to drive an LED which indicates the on-hook/off-hook status.

The transmit signal on the line is dynamically limited to prevent distortion at high transmit levels for both the sending line and sidetone signals. The microphone amplifier can be disabled during speech condition by means of a microphone mute function.

All statements and values refer to all versions unless otherwise specified.

### QUICK REFERENCE DATA

$I_{\text{line}} = 15 \text{ mA}$ ;  $V_{\text{EE}} = 0 \text{ V}$ ;  $R_{\text{SLPE}} = 20 \text{ }\Omega$ ;  $C_{\text{DLS}} = 470 \text{ nF}$ ; AGC pin connected to  $V_{\text{EE}}$ ;  $Z_{\text{line}} = 600 \text{ }\Omega$ ;  $f = 1 \text{ kHz}$ ;  $T_{\text{amb}} = 25 \text{ }^\circ\text{C}$ ; unless otherwise specified.

| SYMBOL                    | PARAMETER  | CONDITIONS                            | MIN. | TYP. | MAX. | UNIT |
|---------------------------|--|---------------------------------------|------|------|------|------|
| $I_{\text{line}}$         | line current operating range   | normal operation                      | 11   | –    | 140  | mA   |
|                           |  | with reduced performance              | 1    | –    | 11   | mA   |
| $I_{\text{LED(max)}}$     | maximum supply current available   | $I_{\text{line}} = 18 \text{ mA}$     | –    | 0.6  | –    | mA   |
|                           |  | $I_{\text{line}} > 76 \text{ mA}$     | –    | 19.5 | –    | mA   |
| $V_{\text{LN}}$           | DC line voltage  |                                       | 3.7  | 4.0  | 4.3  | V    |
| $V_{\text{LN(max)(p-p)}}$ | maximum output voltage swing (peak-to-peak value)  |                                       | 3.8  | 4.65 | –    | V    |
| $I_{\text{CC}}$           | internal current consumption   | $V_{\text{CC}} = 3.2 \text{ V}$       | –    | 1.3  | 1.6  | mA   |
| $V_{\text{CC}}$           | supply voltage for peripherals   | $I_{\text{p}} = 0 \text{ mA}$         | 2.8  | 3.2  | –    | V    |
| $G_{\text{vtrx}}$         | typical voltage gain range<br>microphone amplifier<br>receiving amplifier                                    | $V_{\text{MIC}} = 2 \text{ mV (RMS)}$ | 38.8 | –    | 51.8 | dB   |
|                           |  | $V_{\text{IR}} = 4 \text{ mV (RMS)}$  | 19.3 | –    | 31.3 | dB   |
| $\Delta G_{\text{vtrx}}$  | gain control range for microphone and receiving amplifiers with respect to $I_{\text{line}} = 15 \text{ mA}$ | $I_{\text{line}} = 85 \text{ mA}$     | –    | 5.8  | –    | dB   |
| $\Delta G_{\text{vtxm}}$  | microphone amplifier gain reduction  |                                       | –    | 80   | –    | dB   |

# Low voltage versatile telephone transmission circuit with dialler interface

TEA1113

## ORDERING INFORMATION

| TYPE NUMBER | PACKAGE |  |          |
|-------------|---------|--|----------|
|             | NAME    | DESCRIPTION  | VERSION  |
| TEA1113     | DIP16   | plastic dual in-line package; 16 leads (300 mil)           | SOT38-4  |
| TEA1113T    | SO16    | plastic small outline package; 16 leads; body width 3.9 mm | SOT109-1 |

## BLOCK DIAGRAM

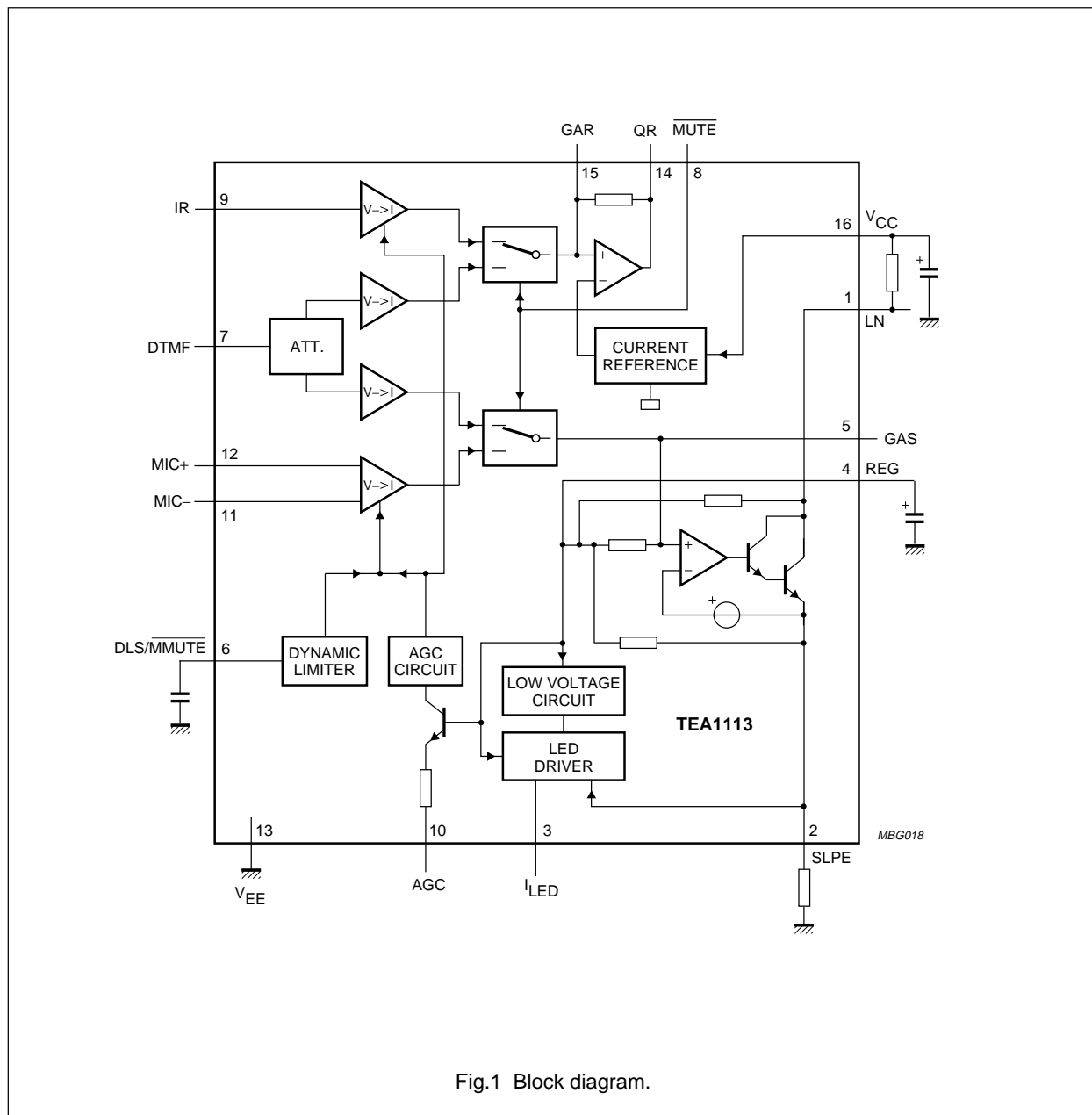


Fig.1 Block diagram.

# Low voltage versatile telephone transmission circuit with dialler interface

TEA1113

## PINNING

| SYMBOL           | PIN | DESCRIPTION   |
|------------------|-----|---|
| LN               | 1   | positive line terminal                                      |
| SLPE             | 2   | slope (DC resistance) adjustment                            |
| I <sub>LED</sub> | 3   | available output current to drive an LED                    |
| REG              | 4   | line voltage regulator decoupling                           |
| GAS              | 5   | sending gain adjustment                                     |
| DLS/<br>MMUTE    | 6   | dynamic limiter timing adjustment and microphone mute input |
| DTMF             | 7   | dual-tone multi-frequency input                             |
| MUTE             | 8   | mute input to select speech or dialling mode (active LOW)   |
| IR               | 9   | receiving amplifier input                                   |
| AGC              | 10  | automatic gain control - line loss compensation             |
| MIC-             | 11  | inverting microphone amplifier input                        |
| MIC+             | 12  | non-inverting microphone amplifier input                    |
| V <sub>EE</sub>  | 13  | negative line terminal                                      |
| QR               | 14  | receiving amplifier output                                  |
| GAR              | 15  | receive gain adjustment                                     |
| V <sub>CC</sub>  | 16  | supply voltage for speech circuit and peripherals           |

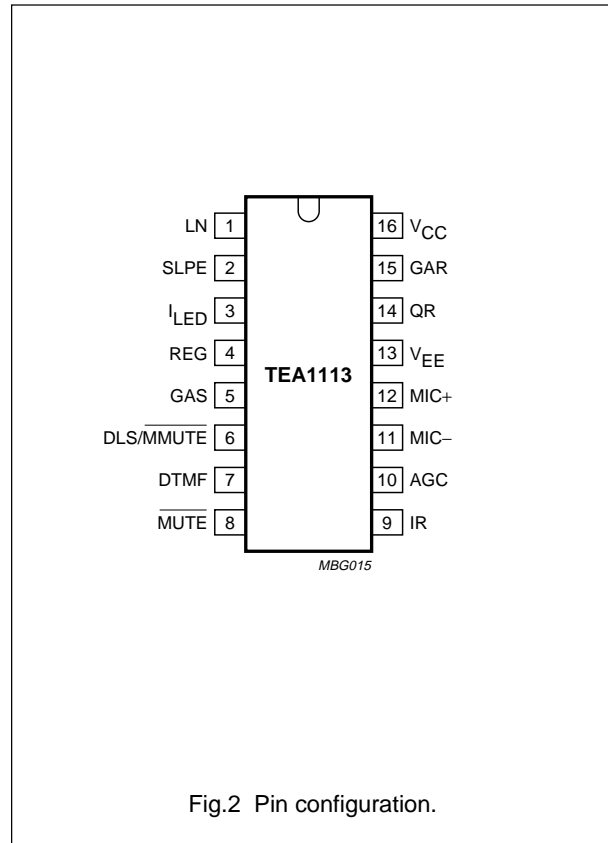


Fig.2 Pin configuration.

## FUNCTIONAL DESCRIPTION

All data given in this chapter are typical values, except when otherwise specified.

### Supply (pins LN, SLPE, V<sub>CC</sub> and REG)

The supply for the TEA1113 and its peripherals is obtained from the telephone line.

The ICs generate a stabilized reference voltage ( $V_{ref}$ ) between pins LN and SLPE. This reference voltage is equal to 3.7 V, is temperature compensated and can be adjusted by means of an external resistor ( $R_{VA}$ ). It can be increased by connecting the  $R_{VA}$  resistor between pins REG and SLPE, or decreased by connecting the  $R_{VA}$  resistor between pins REG and LN. The voltage at pin REG is used by the internal regulator to generate the stabilized reference voltage and is decoupled by a capacitor ( $C_{REG}$ ) which is connected to  $V_{EE}$ . This capacitor, converted into an equivalent inductance (see Section "Set impedance"), realizes the set impedance conversion from its DC value ( $R_{SLPE}$ ) to its AC value

( $R_{CC}$  in the audio-frequency range). The voltage at pin SLPE is proportional to the line current. Figure 3 illustrates the supply configuration.

The IC regulates the line voltage at the pin LN, and it can be calculated as follows:

$$V_{LN} = V_{ref} + R_{SLPE} \times I_{SLPE}$$

$$I_{SLPE} = I_{line} - I_{CC} - I_p - I^* = I_{LED} + I_{sh}$$

$I_{line}$ : line current

$I_{CC}$ : current consumption of the IC

$I_p$ : supply current for peripheral circuits

$I^*$ : current consumed between LN and  $V_{EE}$

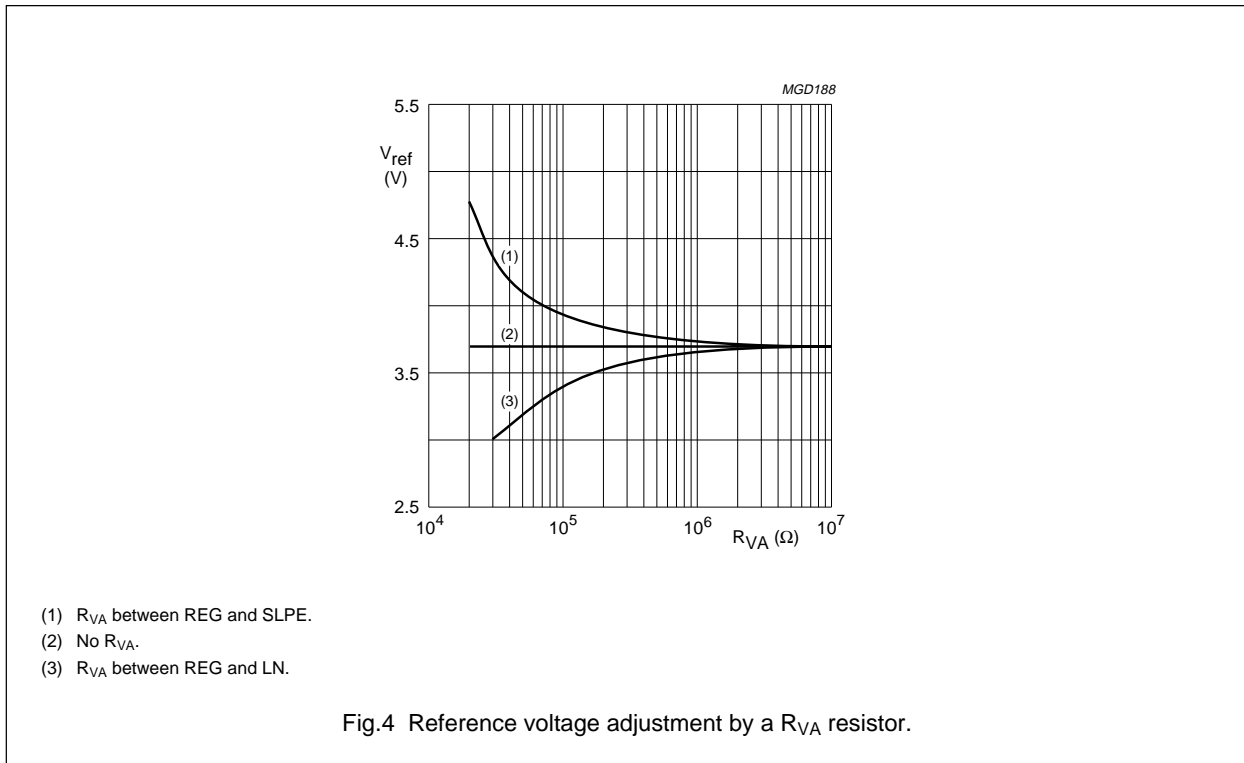
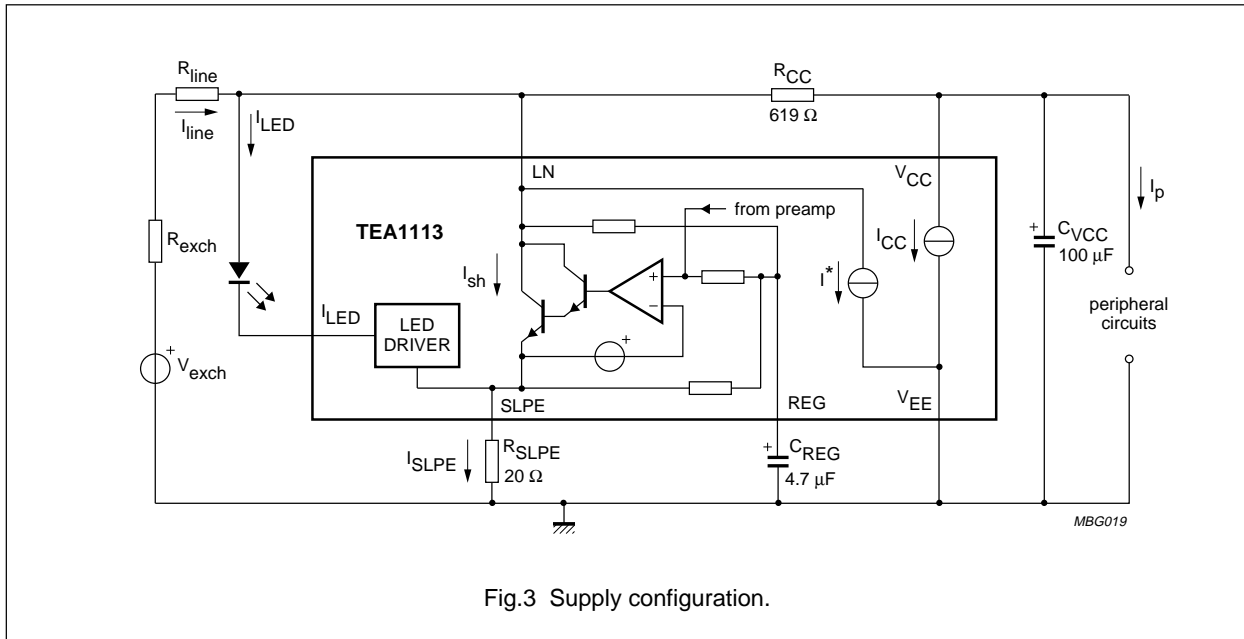
$I_{LED}$ : supply current for the LED component

$I_{sh}$ : the excess line current shunted to SLPE (and  $V_{EE}$ ) via LN.

# Low voltage versatile telephone transmission circuit with dialler interface

TEA1113

The preferred value for  $R_{SLPE}$  is  $20\ \Omega$ . Changing  $R_{SLPE}$  will affect more than the DC characteristics; it also influences the microphone and DTMF gains, the LED supply current characteristic, the gain control characteristics, the sidetone level and the maximum output swing on the line.



## Low voltage versatile telephone transmission circuit with dialler interface

TEA1113

The internal circuitry of the TEA1113 is supplied from pin  $V_{CC}$ . This voltage supply is derived from the line voltage by means of a resistor ( $R_{CC}$ ) and must be decoupled by a capacitor  $C_{VCC}$ . It may also be used to supply peripheral circuits such as dialling or control circuits. The  $V_{CC}$  voltage depends on the current consumed by the IC and the peripheral circuits as shown by the formula (see also Figs 5 and 6).  $R_{CCint}$  is the internal impedance of the voltage supply point, and  $I_{rec}$  is the current consumed by the output stage of the earpiece amplifier.

$$V_{CC} = V_{CCO} - R_{CCint} \times (I_p - I_{rec})$$

$$V_{CCO} = V_{LN} - R_{CC} \times I_{CC}$$

The DC line current flowing into the set is determined by the exchange supply voltage ( $V_{exch}$ ), the feeding bridge resistance ( $R_{exch}$ ), the DC resistance of the telephone line ( $R_{line}$ ) and the reference voltage ( $V_{ref}$ ). With line currents below 8 mA, the internal reference voltage (generating  $V_{ref}$ ) is automatically adjusted to a lower value. This means that more sets can operate in parallel with DC line voltages (excluding the polarity guard) down to an absolute minimum voltage of 1.6 V. At currents below 8 mA, the circuit has limited sending and receiving levels. This is called the low voltage area.

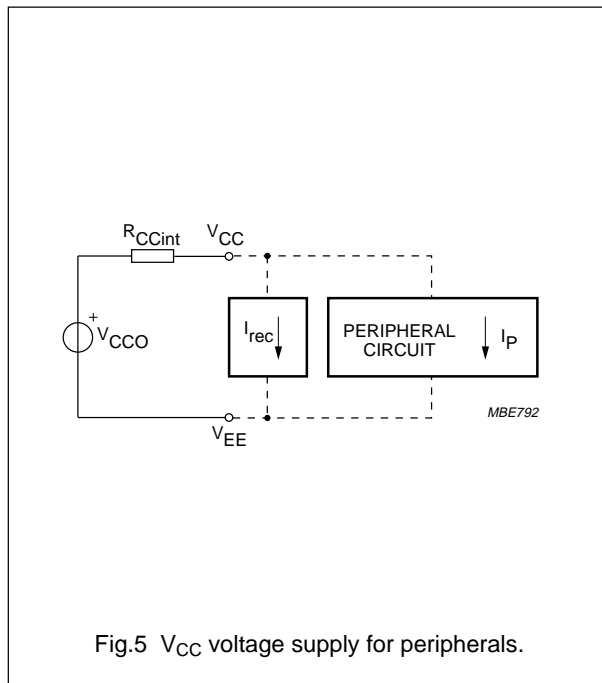


Fig.5  $V_{CC}$  voltage supply for peripherals.

### Set impedance

In the audio frequency range, the dynamic impedance is mainly determined by the  $R_{CC}$  resistor. The equivalent impedance of the circuits is illustrated in Fig.7.

### LED supply (pin $I_{LED}$ )

The TEA1113 gives an on-hook/off-hook status indication. This is achieved by a current made available to drive an LED connected between pins  $I_{LED}$  and LN. In the low voltage area, which corresponds to low line current conditions, no current is available for this LED. For line currents higher than a threshold current, the  $I_{LED}$  current increases proportionally to the line current (with a ratio of one third). The  $I_{LED}$  current is internally limited to 19.5 mA (see Fig.8).

For  $17 \text{ mA} < I_{line} < 77 \text{ mA}$ :

$$I_{LED} = \frac{I_{line} - 17}{3}$$

This LED driver is referenced to SLPE. Consequently, all the  $I_{LED}$  supply current will flow through the  $R_{SLPE}$  resistor. The AGC characteristics are not disturbed (see Fig.3 for the supply configuration).

### Microphone amplifier (pins $MIC+$ , $MIC-$ and $GAS$ )

The TEA1113 has symmetrical microphone inputs. The input impedance between pins  $MIC+$  and  $MIC-$  is  $64 \text{ k}\Omega$  ( $2 \times 32 \text{ k}\Omega$ ). The voltage gain from pins  $MIC+/MIC-$  to pin LN is set to 51.8 dB (typ). The gain can be decreased by connecting an external resistor  $R_{GAS}$  between pins  $GAS$  and  $REG$ . The adjustment range is 13 dB. A capacitor  $C_{GAS}$  connected between pins  $GAS$  and  $REG$  can be used to provide a first-order low-pass filter. The cut-off frequency corresponds to the time constant  $C_{GAS} \times (R_{GASint} // R_{GAS})$ .  $R_{GASint}$  is the internal resistor which sets the gain with a typical value of  $69 \text{ k}\Omega$ .

Automatic gain control is provided on this amplifier for line loss compensation.

### Dynamic limiter and microphone mute (pin $DLS/MMUTE$ )

The dynamic limiter only acts on the microphone channel, this is to prevent clipping of the line signal. To prevent distortion, the microphone gain is rapidly reduced when peaks on the line signal exceed an internally determined threshold level or when the current in the transmit output stage is insufficient. The time in which the gain reduction is realized is very short (attack time). The microphone channel stays in the reduced gain condition until the peaks

## Low voltage versatile telephone transmission circuit with dialler interface

TEA1113

on the line signal remain below the threshold level. The microphone gain then returns to its nominal value after a time determined by the capacitor  $C_{DLS}$  (release time).

The maximum output swing on the line depends on the DC voltage setting ( $V_{ref}$ ). The internal threshold level is automatically adapted.

A LOW level on pin  $DLS/\overline{MMUTE}$  inhibits the microphone inputs  $MIC+$  and  $MIC-$  without affecting the DTMF and receiving inputs. Removing the LOW level from pin  $DLS/\overline{MMUTE}$  provides the normal function of the microphone amplifier after a short time which is determined by capacitor  $C_{DLS}$ . With the value of the capacitor at 470 nF, the release time is in the order of a few tenths of a millisecond. The microphone mute function can be realized by a simple switch as illustrated in Fig.9.

### Receiving amplifier (pins IR, GAR and QR)

The receiving amplifier has one input (IR) and one output (QR). The input impedance between pin IR and pin  $V_{EE}$  is 20 k $\Omega$ . The voltage gain from pin IR to pin QR is fixed to 31.3 dB (typ). The gain can be decreased by connecting an external resistor  $R_{GAR}$  between pins GAR and QR; the adjustment range is 12 dB. Two external capacitors  $C_{GAR}$  (connected between GAR and QR) and  $C_{GARS}$  (connected between GAR and  $V_{EE}$ ) ensure stability. The  $C_{GAR}$  capacitor provides a first-order low-pass filter. The cut-off frequency corresponds to the time constant  $C_{GAR} \times (R_{GARint} // R_{GAR})$ .  $R_{GARint}$  is the internal resistor which sets the gain with a typical value of 100 k $\Omega$ . The relationship  $C_{GARS} = 10 \times C_{GAR}$  must be fulfilled to ensure stability.

The output voltage of the receiving amplifier is specified for continuous wave drive. The maximum output swing depends on the DC line voltage, the  $R_{CC}$  resistor, the  $I_{CC}$  current consumption of the circuit, the  $I_p$  current consumption of the peripheral circuits and the load impedance.

Automatic gain control is provided on this amplifier for line loss compensation.

### Automatic gain control (pin AGC)

The TEA1113 performs automatic line loss compensation. The automatic gain control varies the gain of the microphone amplifier and the gain of the receiving amplifier in accordance with the DC line current. The control range is 5.8 dB (which corresponds approximately to a line length of 5 km for a 0.5 mm diameter twisted-pair copper cable with a DC resistance of 176  $\Omega$ /km and an average attenuation of 1.2 dB/km).

The IC can be used with different configurations of feeding bridge (supply voltage and bridge resistance) by connecting an external resistor  $R_{AGC}$  between pins AGC and  $V_{EE}$ . This resistor enables the  $I_{start}$  and  $I_{stop}$  line currents to be increased (the ratio between  $I_{start}$  and  $I_{stop}$  is not affected by the resistor). The AGC function is disabled when pin AGC is left open-circuit.

### Mute function (pin $\overline{MUTE}$ )

The mute function performs the switching between the speech mode and the dialling mode. When  $\overline{MUTE}$  is LOW or open-circuit, the DTMF input is enabled and the microphone and receiving amplifiers inputs are disabled. When  $\overline{MUTE}$  is HIGH, the microphone and receiving amplifiers inputs are enabled while the DTMF input is disabled.

### DTMF amplifier (pin DTMF)

When the DTMF amplifier is enabled, dialling tones may be sent on line. These tones can be heard in the earpiece at a low level (confidence tone).

The TEA1113 has an asymmetrical DTMF input. The input impedance between DTMF and  $V_{EE}$  is 20 k $\Omega$ . The voltage gain from pin DTMF to pin LN is 25.4 dB. When the resistor  $R_{GAS}$  is connected, to decrease the microphone gain, the DTMF gain varies in the same way (the DTMF gain is 26.4 dB lower than the microphone gain with no AGC control).

The automatic gain control has no effect on the DTMF amplifier.

### Sidetone suppression

The TEA1113 anti-sidetone network comprising  $R_{CC} // Z_{line}$ ,  $R_{ast1}$ ,  $R_{ast2}$ ,  $R_{ast3}$ ,  $R_{SLPE}$  and  $Z_{bal}$  (see Fig.10) suppresses the transmitted signal in the earpiece. Maximum compensation is obtained when the following conditions are fulfilled:

$$R_{SLPE} \times R_{ast1} = R_{CC} \times (R_{ast2} + R_{ast3})$$

$$k = \frac{(R_{ast2} \times (R_{ast3} + R_{SLPE}))}{(R_{ast1} \times R_{SLPE})}$$

$$Z_{bal} = k \times Z_{line}$$

The scale factor k is chosen to meet the compatibility with a standard capacitor from the E6 or E12 range for  $Z_{bal}$ .

## Low voltage versatile telephone transmission circuit with dialler interface

TEA1113

In practice,  $Z_{line}$  varies considerably with the line type and the line length. Therefore, the value chosen for  $Z_{bal}$  should be for an average line length which gives satisfactory sidetone suppression with short and long lines.

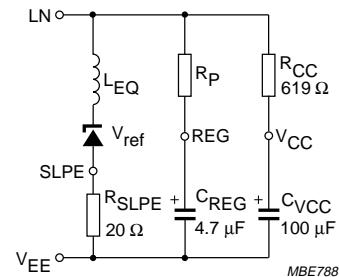
The suppression also depends on the accuracy of the match between  $Z_{bal}$  and the impedance of the average line.

The anti-sidetone network for the TEA1113 (as shown in Fig.14) attenuates the receiving signal from the line by 32 dB before it enters the receiving amplifier.

The attenuation is almost constant over the whole audio frequency range.

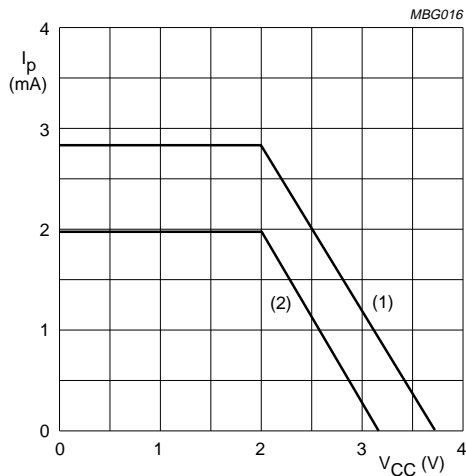
A Wheatstone bridge configuration (see Fig.11) may also be used.

More information on the balancing of an anti-sidetone bridge can be obtained in our publication "Applications Handbook for Wired Telecom Systems, IC03b", order number 9397 750 00811.



$$L_{eq} = C_{REG} \times R_{SLPE} \times R_P; R_P = \text{internal resistance}; R_P = 15.5 \text{ k}\Omega.$$

Fig.7 Equivalent impedance between LN and  $V_{EE}$ .



- (1) With  $R_{VA}$  resistor.  
 (2) Without  $R_{VA}$  resistor.

Fig.6 Typical current  $I_p$  available from  $V_{CC}$  for peripheral circuits at  $I_{line} = 15 \text{ mA}$ .



Low voltage versatile telephone transmission circuit with dialler interface

TEA1113

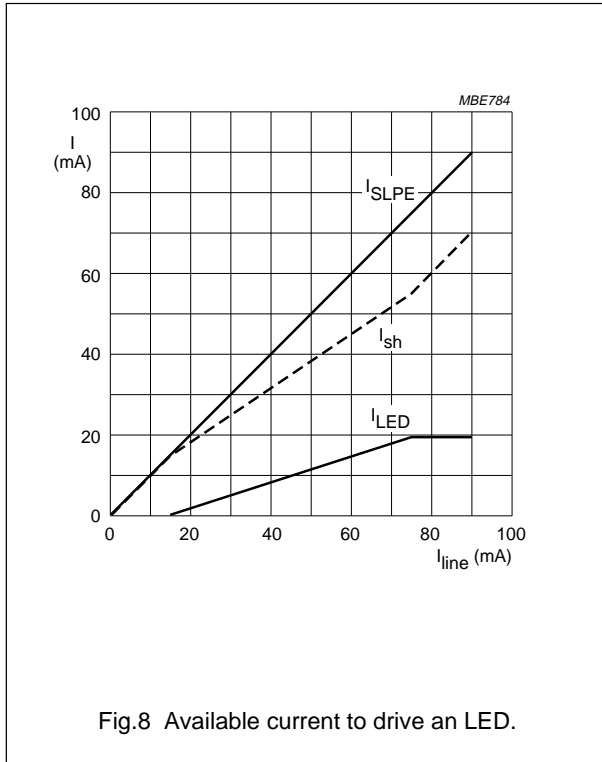


Fig.8 Available current to drive an LED.

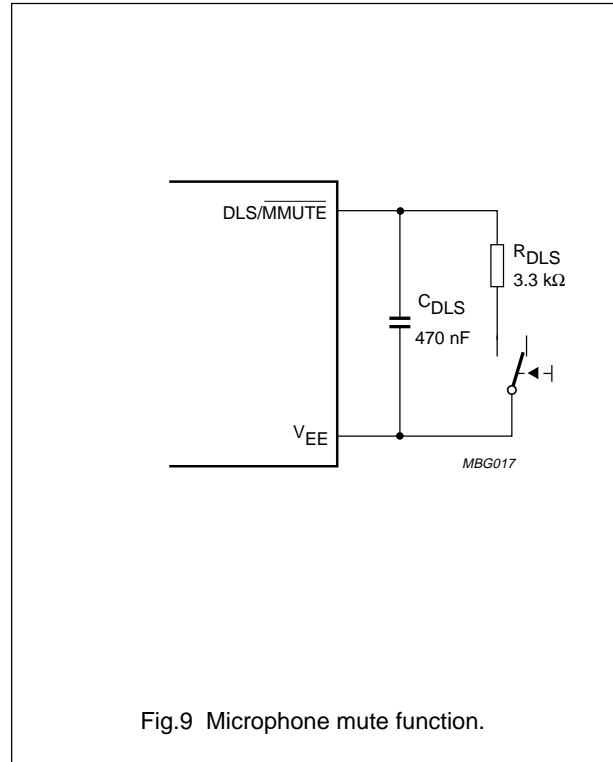


Fig.9 Microphone mute function.

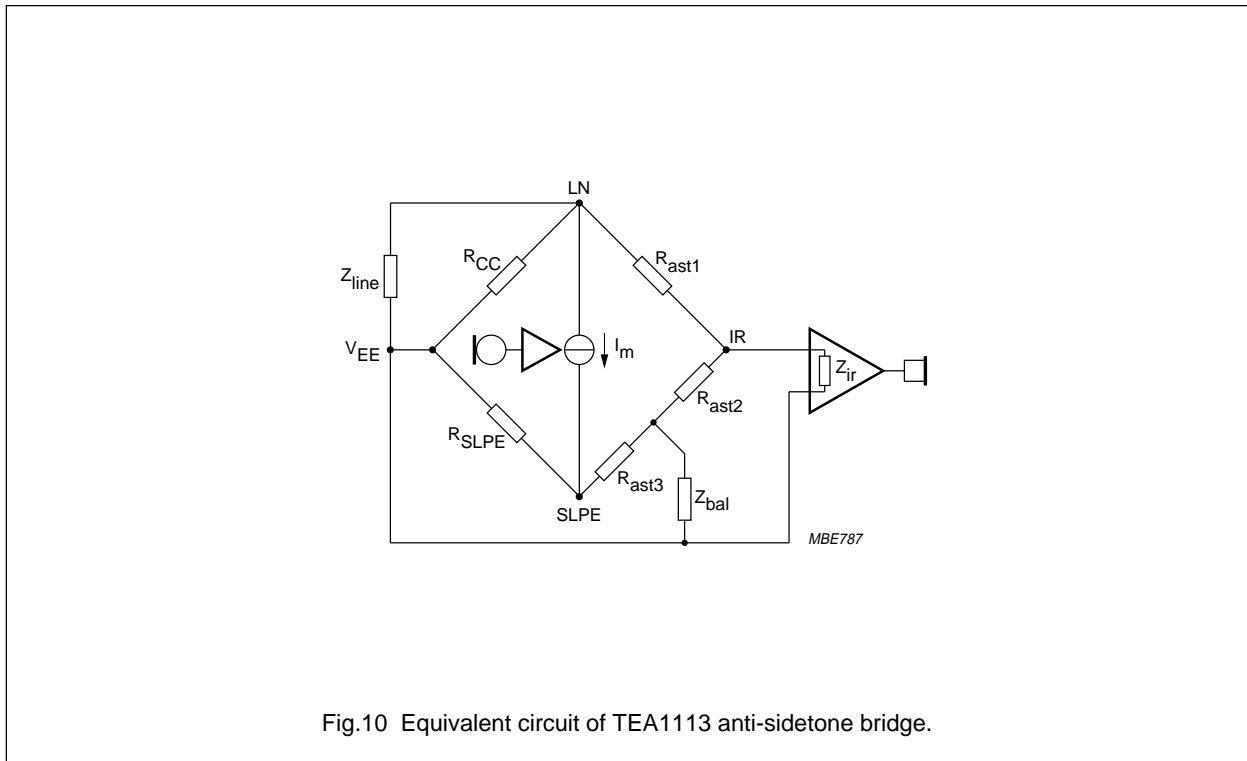


Fig.10 Equivalent circuit of TEA1113 anti-sidetone bridge.

# Low voltage versatile telephone transmission circuit with dialler interface

TEA1113

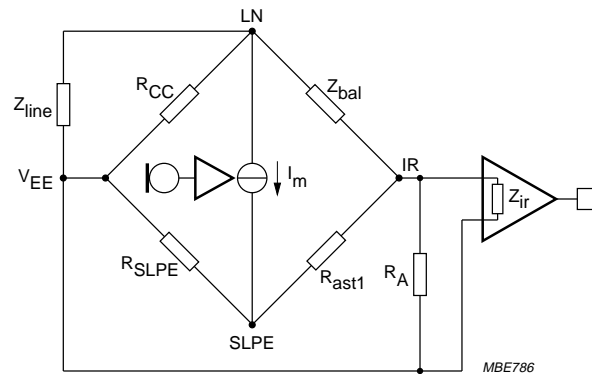


Fig.11 Equivalent circuit of an anti-sidetone network in a Wheatstone bridge configuration.

## LIMITING VALUES

In accordance with the Absolute Maximum Rating System (IEC 134).

| SYMBOL       | PARAMETER   | CONDITIONS  | MIN.           | MAX.           | UNIT             |
|--------------|---|---|----------------|----------------|------------------|
| $V_{LN}$     | positive continuous line voltage                              |   | $V_{EE} - 0.4$ | 12.0           | V                |
|              | repetitive line voltage during switch-on or line interruption |   | $V_{EE} - 0.4$ | 13.2           | V                |
| $V_{n(max)}$ | maximum voltage on pins I <sub>LED</sub> , SLPE               |   | $V_{EE} - 0.4$ | $V_{LN} + 0.4$ | V                |
|              | maximum voltage on all other pins                             |   | $V_{EE} - 0.4$ | $V_{CC} + 0.4$ | V                |
| $I_{line}$   | line current  | $R_{SLPE} = 20 \Omega$ ;<br>see Figs 12 and 13                | –              | 140            | mA               |
| $P_{tot}$    | total power dissipation                                       | $T_{amb} = 75 \text{ }^\circ\text{C}$ ;<br>see Figs 12 and 13 |                |                |                  |
|              | TEA1113<br>TEA1113T   |   | –              | 625<br>416     | mW<br>mW         |
| $T_{stg}$    | IC storage temperature  |   | –40            | +125           | $^\circ\text{C}$ |
| $T_{amb}$    | operating ambient temperature                                 |   | –25            | +75            | $^\circ\text{C}$ |

## THERMAL CHARACTERISTICS

| SYMBOL        | PARAMETER  | VALUE | UNIT |
|---------------|--|-------|------|
| $R_{th\ j-a}$ | thermal resistance from junction to ambient in free air (TEA1113)  | 80    | K/W  |
|               | thermal resistance from junction to ambient in free air mounted on epoxy board $40.1 \times 19.1 \times 1.5 \text{ mm}$ (TEA1113T) | 130   | K/W  |

Low voltage versatile telephone transmission circuit with dialler interface

TEA1113

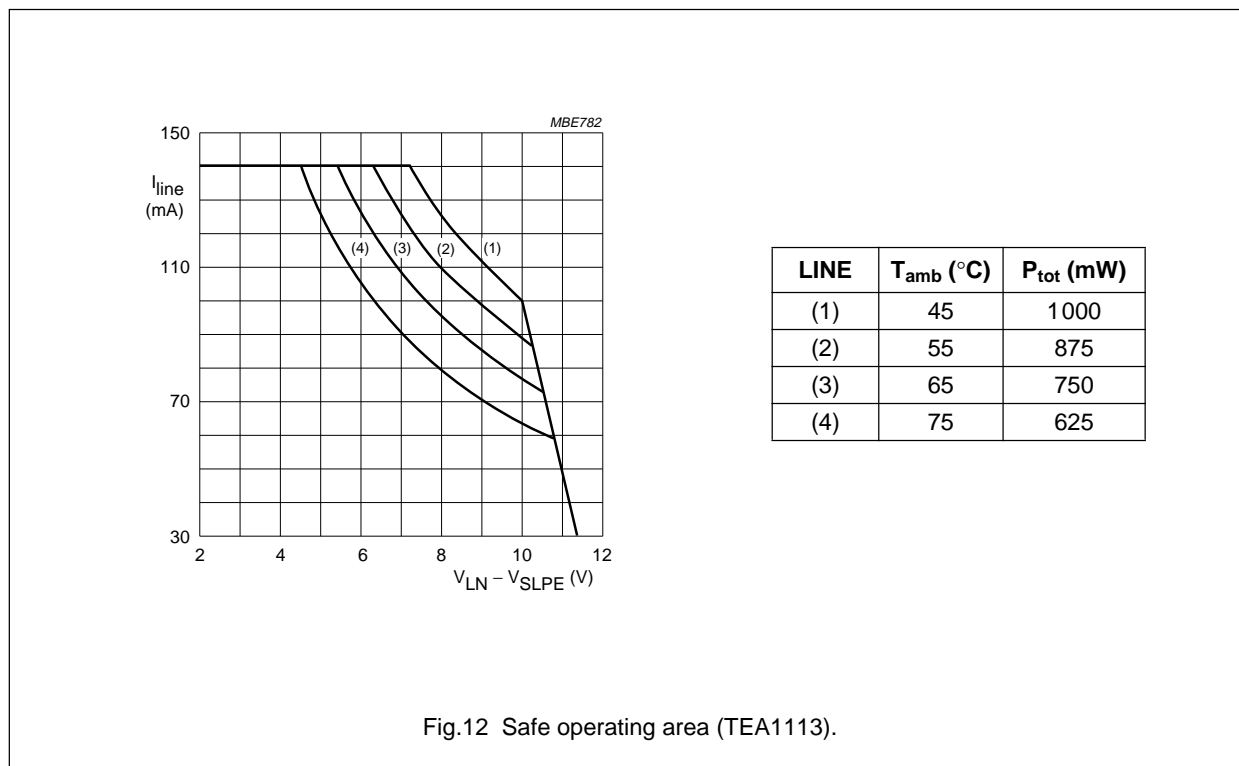


Fig.12 Safe operating area (TEA1113).

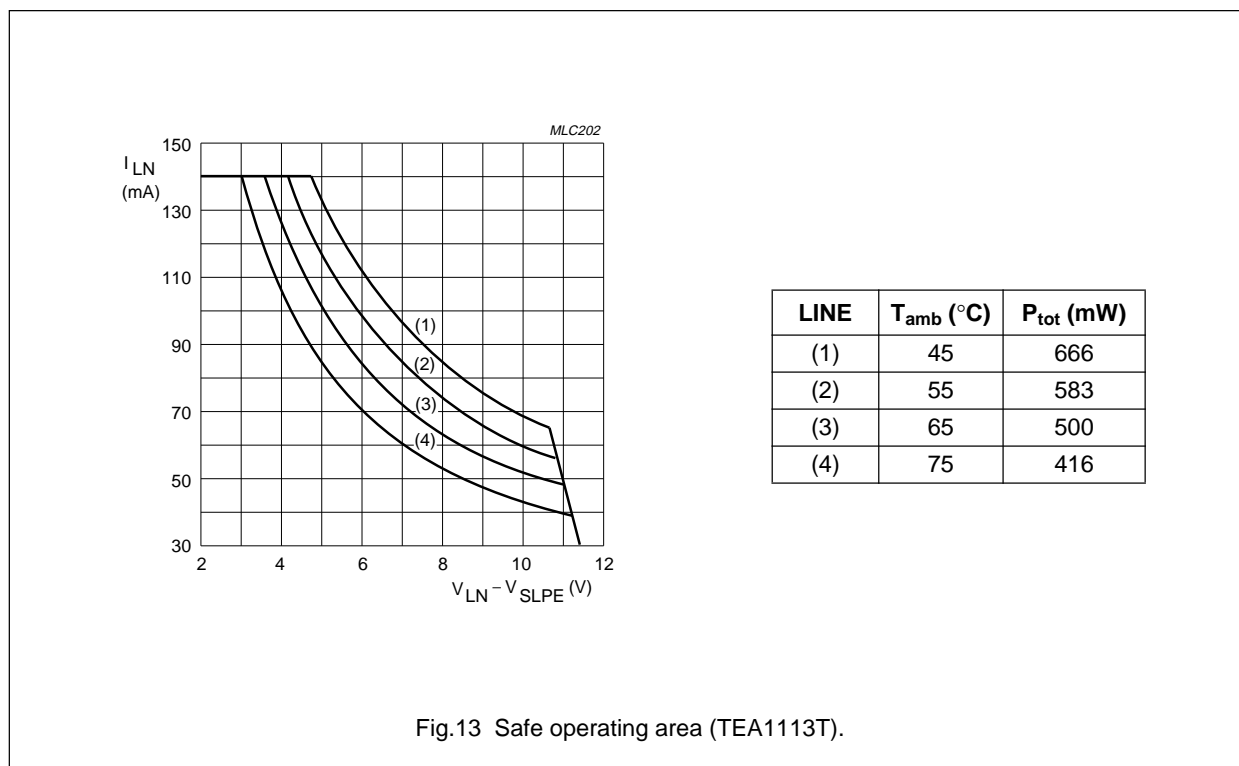


Fig.13 Safe operating area (TEA1113T).

# Low voltage versatile telephone transmission circuit with dialler interface

TEA1113

**CHARACTERISTICS**

$I_{\text{line}} = 15 \text{ mA}$ ;  $V_{\text{EE}} = 0 \text{ V}$ ;  $R_{\text{SLPE}} = 20 \text{ }\Omega$ ;  $C_{\text{DLS}} = 470 \text{ nF}$ ; AGC pin connected to  $V_{\text{EE}}$ ;  $Z_{\text{line}} = 600 \text{ }\Omega$ ;  $f = 1 \text{ kHz}$ ;  
 $T_{\text{amb}} = 25 \text{ }^\circ\text{C}$ ; unless otherwise specified.

| SYMBOL  | PARAMETER   | CONDITIONS  | MIN. | TYP.      | MAX. | UNIT             |
|---|---|---|------|-----------|------|------------------|
| <b>Supply (pins <math>V_{\text{LN}}</math>, <math>V_{\text{CC}}</math>, SLPE and REG)</b>       |   |   |      |           |      |                  |
| $V_{\text{ref}}$  | stabilized voltage between LN and SLPE  |   | 3.45 | 3.7       | 3.95 | V                |
| $V_{\text{LN}}$   | DC line voltage   | $I_{\text{line}} = 1 \text{ mA}$  | –    | 1.6       | –    | V                |
|   |   | $I_{\text{line}} = 4 \text{ mA}$  | –    | 2.5       | –    | V                |
|   |   | $I_{\text{line}} = 15 \text{ mA}$   | 3.7  | 4         | 4.3  | V                |
|   |   | $I_{\text{line}} = 140 \text{ mA}$  | –    | –         | 7.0  | V                |
| $V_{\text{LN(exR)}}$  | DC line voltage with an external resistor $R_{\text{VA}}$   | $R_{\text{VA(LN-REG)}} = 82 \text{ k}\Omega$                              | –    | 3.6       | –    | V                |
|   |   | $R_{\text{VA(SLPE-REG)}} = 27 \text{ k}\Omega$                            | –    | 4.75      | –    | V                |
| $\Delta V_{\text{LN(T)}}$   | DC line voltage variation with temperature referred to $25 \text{ }^\circ\text{C}$                      | $T_{\text{amb}} = -25 \text{ to } +75 \text{ }^\circ\text{C}$             | –    | $\pm 30$  | –    | mV               |
| $I_{\text{CC}}$   | internal current consumption  | $V_{\text{CC}} = 3.2 \text{ V}$   | –    | 1.3       | 1.6  | mA               |
| $V_{\text{CC}}$   | supply voltage for peripherals  | $I_{\text{p}} = 0 \text{ mA}$   | 2.8  | 3.2       | –    | V                |
| $R_{\text{CCint}}$  | equivalent supply voltage impedance   | $I_{\text{p}} = 0.5 \text{ mA}$   | –    | 550       | 620  | $\Omega$         |
| <b>LED supply (pin <math>I_{\text{LED}}</math>)</b>   |   |   |      |           |      |                  |
| $I_{\text{line(h)}}$  | highest line current for $I_{\text{LED}} < 0.6 \text{ mA}$  |   | –    | 18        | –    | mA               |
| $I_{\text{line(l)}}$  | lowest line current for maximum $I_{\text{LED}}$  |   | –    | 76        | –    | mA               |
| $I_{\text{LED(max)}}$   | maximum supply current available  |   | –    | 19.5      | –    | mA               |
| <b>Microphone amplifier (pins <math>\text{MIC}^+</math>, <math>\text{MIC}^-</math> and GAS)</b> |   |   |      |           |      |                  |
| $ Z_{\text{i}} $  | input impedance   | differential between pins $\text{MIC}^+$ and $\text{MIC}^-$               | –    | 64        | –    | $\text{k}\Omega$ |
|   |   | single-ended between pins $\text{MIC}^+/\text{MIC}^-$ and $V_{\text{EE}}$ | –    | 32        | –    | $\text{k}\Omega$ |
| $G_{\text{vtx}}$  | voltage gain from $\text{MIC}^+/\text{MIC}^-$ to LN   | $V_{\text{MIC}} = 2 \text{ mV (RMS)}$                                     | 50.6 | 51.8      | 53   | dB               |
| $\Delta G_{\text{vtx(f)}}$  | gain variation with frequency referred to $1 \text{ kHz}$   | $f = 300 \text{ to } 3400 \text{ Hz}$                                     | –    | $\pm 0.2$ | –    | dB               |
| $\Delta G_{\text{vtx(T)}}$  | gain variation with temperature referred to $25 \text{ }^\circ\text{C}$                                 | $T_{\text{amb}} = -25 \text{ to } +75 \text{ }^\circ\text{C}$             | –    | $\pm 0.3$ | –    | dB               |
| CMRR  | common mode rejection ratio   |   | –    | 80        | –    | dB               |
| $\Delta G_{\text{vtxr}}$  | gain voltage reduction range  | external resistor connected between GAS and REG                           | –    | –         | 13   | dB               |
| $V_{\text{notx}}$   | noise output voltage at pin LN; pins $\text{MIC}^+ / \text{MIC}^-$ shorted through $200 \text{ }\Omega$ | psophometrically weighted (P53 curve)                                     | –    | –70.5     | –    | dBmp             |

# Low voltage versatile telephone transmission circuit with dialler interface

TEA1113

| SYMBOL   | PARAMETER   | CONDITIONS   | MIN.           | TYP.      | MAX.           | UNIT          |
|--|---|--|----------------|-----------|----------------|---------------|
| <b>Dynamic limiter and microphone mute (pin DLS/MMUTE)</b> |   |  |                |           |                |               |
| DYNAMIC LIMITER BEHAVIOUR                                  |   |  |                |           |                |               |
| $V_{LN(max)(p-p)}$   | maximum output voltage swing on the line (peak-to-peak value)   | $I_{line} = 15 \text{ mA}; V_{ref} = 3.7 \text{ V}$                              | 3.8            | 4.65      | –              | V             |
|  |   | $I_{line} = 4 \text{ mA}$  | –              | 1.6       | –              |               |
| THD  | total harmonic distortion   | $V_{MIC} = 4 \text{ mV (RMS)} + 10 \text{ dB}$                                   | –              | –         | 2              | %             |
|  |   | $V_{MIC} = 4 \text{ mV (RMS)} + 15 \text{ dB}$                                   | –              | –         | 10             | %             |
| $t_{att}$  | attack time, $V_{MIC}$ jumps from 2 mV up to 20 mV  | $C_{DLS} = 470 \text{ nF}$   | –              | 1.5       | 5              | ms            |
| $t_{rel}$  | release time, $V_{MIC}$ jumps from 20 mV down to 2 mV   | $C_{DLS} = 470 \text{ nF}$   | 50             | 150       | –              | ms            |
| MICROPHONE MUTE INPUT                                      |   |  |                |           |                |               |
| $\Delta G_{vtxm}$  | gain reduction  | $\overline{DLS/MMUTE} = \text{LOW}$  | –              | 80        | –              | dB            |
| $V_{IL}$   | LOW level input voltage   |  | $V_{EE} - 0.4$ | –         | $V_{EE} + 0.3$ | V             |
| $I_{IL}$   | LOW level input current   |  | 40             | 60        | –              | $\mu\text{A}$ |
| $t_{rel}$  | release time after a LOW level on pin $\overline{DLS/MMUTE}$  | $C_{DLS} = 470 \text{ nF}$   | –              | 30        | –              | ms            |
| <b>Receiving amplifier (pins IR, QR and GAR)</b>           |   |  |                |           |                |               |
| $ Z_i $  | input impedance   |  | –              | 20        | –              | $k\Omega$     |
| $G_{vrx}$  | voltage gain from IR to QR  | $V_{IR} = 4 \text{ mV (RMS)}$  | 30.3           | 31.3      | 32.3           | dB            |
| $\Delta G_{vrx(f)}$  | gain variation with frequency referred to 1 kHz   | $f = 300 \text{ to } 3400 \text{ Hz}$  | –              | $\pm 0.2$ | –              | dB            |
| $\Delta G_{vrx(T)}$  | gain variation with temperature referred to 25 °C   | $T_{amb} = -25 \text{ to } +75 \text{ }^\circ\text{C}$                           | –              | $\pm 0.3$ | –              | dB            |
| $\Delta G_{vrxr}$  | gain voltage reduction range  | external resistor connected between GAR and QR                                   | –              | –         | 12             | dB            |
| $V_{o(rms)}$   | maximum output voltage (RMS value)  | $I_p = 0 \text{ mA sine wave drive}; R_L = 150 \Omega; \text{THD} = 2\%$         | 240            | 290       | –              | mV            |
|  |   | $I_p = 0 \text{ mA sine wave drive}; R_L = 450 \Omega; \text{THD} = 2\%$         | 350            | 410       | –              | mV            |
| $V_{norx(rms)}$  | noise output voltage at pin QR (RMS value)  | $R_L = 150 \Omega;$<br>IR open-circuit;<br>psophometrically weighted (P53 curve) | –              | –86       | –              | dBVp          |
| <b>Automatic gain control (pin AGC)</b>                    |   |  |                |           |                |               |
| $\Delta G_{vtrx}$  | gain control range for microphone and receiving amplifiers with respect to $I_{line} = 15 \text{ mA}$ | $I_{line} = 85 \text{ mA}$   | –              | 5.8       | –              | dB            |
| $I_{start}$  | highest line current for maximum gain   |  | –              | 25        | –              | mA            |
| $I_{stop}$   | lowest line current for minimum gain  |  | –              | 59        | –              | mA            |

Low voltage versatile telephone  
transmission circuit with dialler interface

TEA1113

| SYMBOL                           | PARAMETER  | CONDITIONS  | MIN.                  | TYP.      | MAX.                  | UNIT          |
|----------------------------------|--|---|-----------------------|-----------|-----------------------|---------------|
| <b>DTMF amplifier (pin DTMF)</b> |  |   |                       |           |                       |               |
| $ Z_i $                          | input impedance  |   | –                     | 20        | –                     | k $\Omega$    |
| $G_{\text{vdtmf}}$               | voltage gain from DTMF to LN                           | $V_{\text{DTMF}} = 25 \text{ mV (RMS)}$ ;<br>$\text{MUTE} = \text{LOW}$ | 24.2                  | 25.4      | 26.6                  | dB            |
| $\Delta G_{\text{vdtmf}(f)}$     | gain variation with frequency referred to 1 kHz        | $f = 300 \text{ to } 3400 \text{ Hz}$                                   | –                     | $\pm 0.2$ | –                     | dB            |
| $\Delta G_{\text{vdtmf}(T)}$     | gain variation with temperature referred to 25 °C      | $T_{\text{amb}} = -25 \text{ to } +75 \text{ }^\circ\text{C}$           | –                     | $\pm 0.5$ | –                     | dB            |
| $G_{\text{vct}}$                 | voltage gain from DTMF to QR (confidence tone)         | $R_L = 150 \Omega$ ;<br>$V_{\text{DTMF}} = 25 \text{ mV (RMS)}$         | –                     | –18       | –                     | dB            |
| <b>Mute function (pin MUTE)</b>  |  |   |                       |           |                       |               |
| $V_{\text{IL}}$                  | LOW level input voltage                                |   | $V_{\text{EE}} - 0.4$ | –         | $V_{\text{EE}} + 0.3$ | V             |
| $V_{\text{IH}}$                  | HIGH level input voltage                               |   | $V_{\text{EE}} + 1.5$ | –         | $V_{\text{CC}} + 0.4$ | V             |
| $I_{\text{MUTE}}$                | input current  | $\text{MUTE} = \text{HIGH}$   | –                     | 1.25      | 3                     | $\mu\text{A}$ |
| $\Delta G_{\text{vtrxm}}$        | gain reduction for microphone and receiving amplifiers | $\text{MUTE} = \text{LOW}$  | –                     | 80        | –                     | dB            |

# Low voltage versatile telephone transmission circuit with dialler interface

TEA1113

## APPLICATION INFORMATION

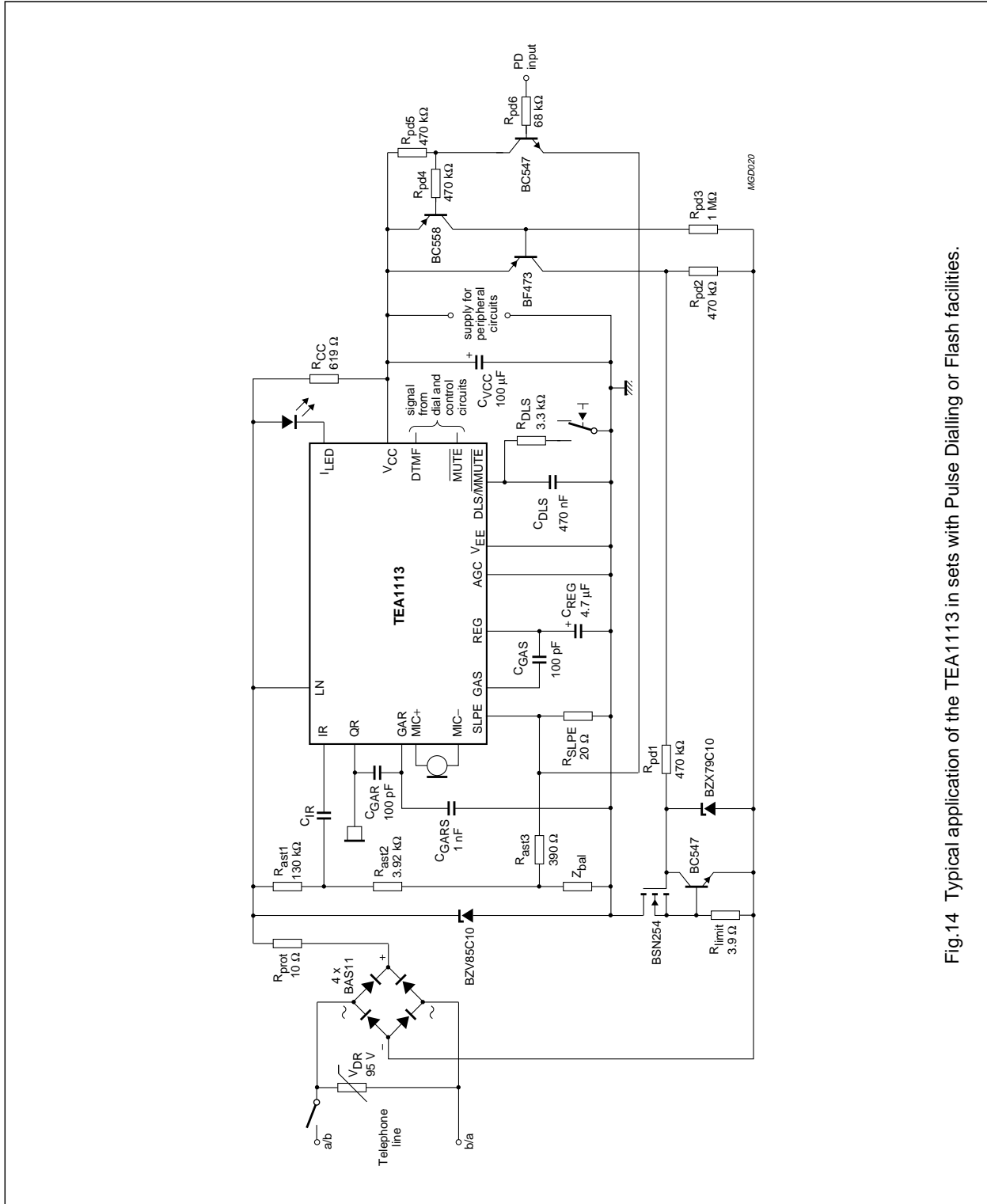


Fig.14 Typical application of the TEA1113 in sets with Pulse Dialling or Flash facilities.

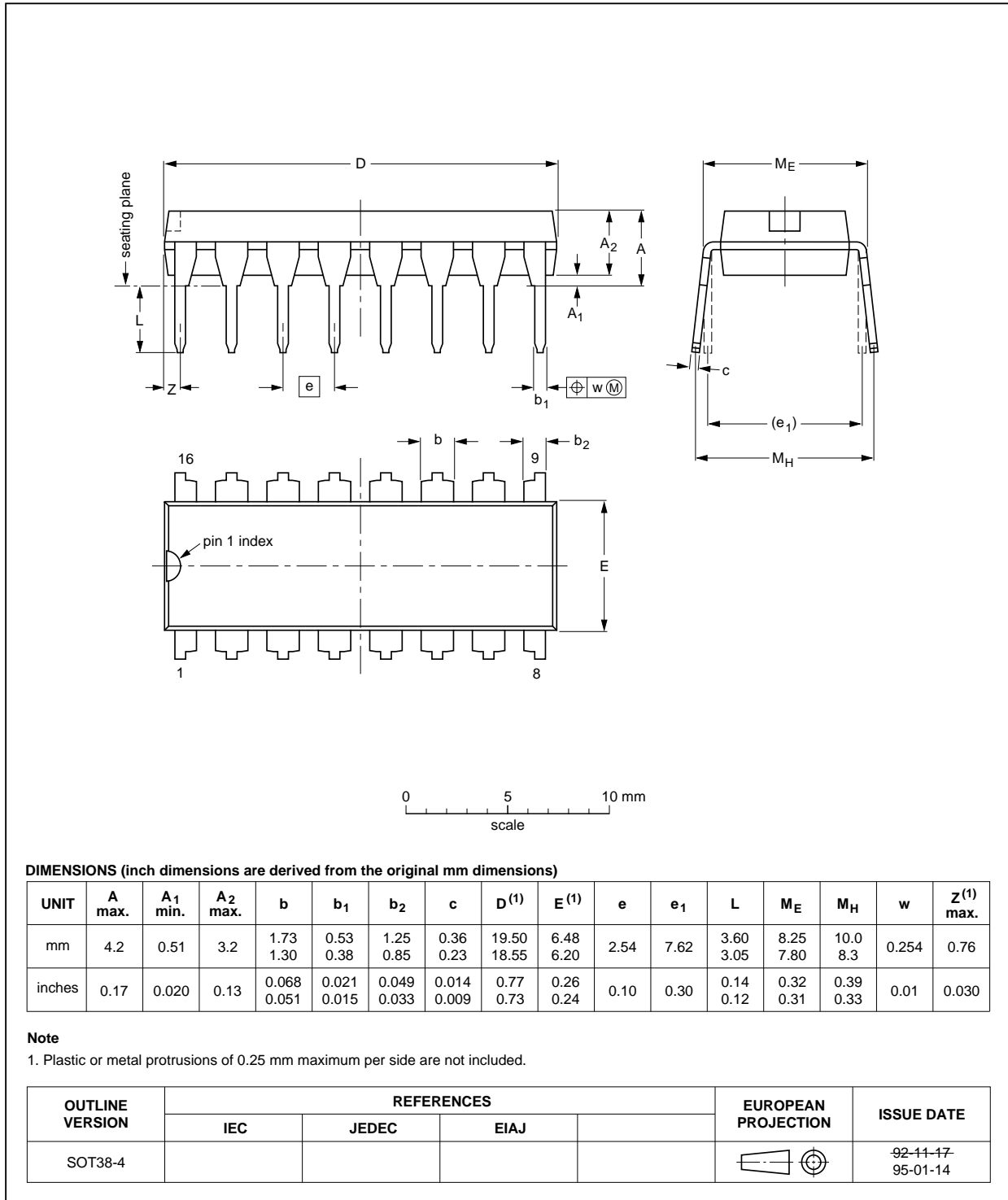
Low voltage versatile telephone transmission circuit with dialler interface

TEA1113

PACKAGE OUTLINES

DIP16: plastic dual in-line package; 16 leads (300 mil)

SOT38-4



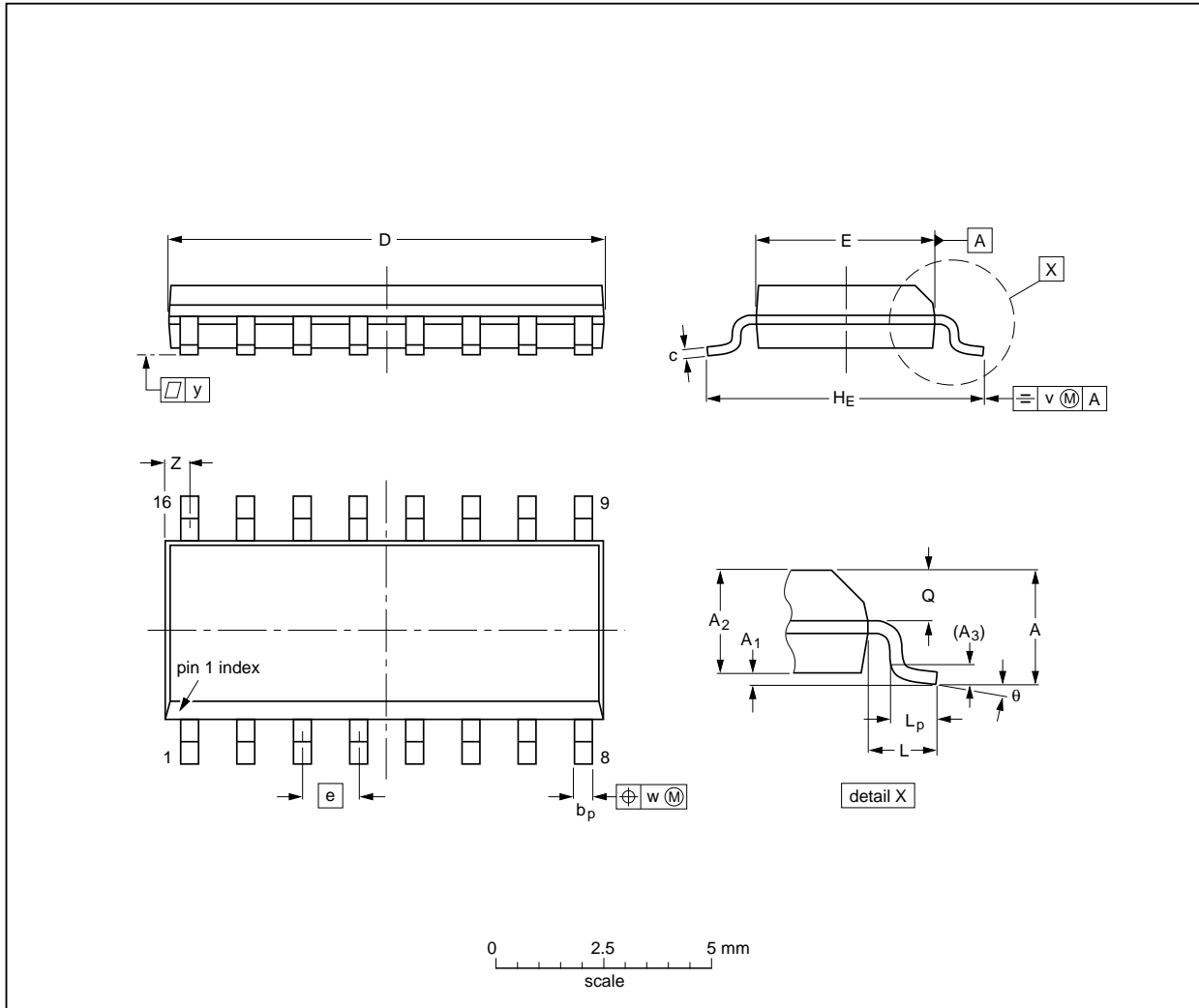


Low voltage versatile telephone transmission circuit with dialler interface

TEA1113

SO16: plastic small outline package; 16 leads; body width 3.9 mm

SOT109-1



DIMENSIONS (inch dimensions are derived from the original mm dimensions)

| UNIT   | A max. | A <sub>1</sub>   | A <sub>2</sub> | A <sub>3</sub> | b <sub>p</sub> | c                | D <sup>(1)</sup> | E <sup>(1)</sup> | e     | H <sub>E</sub> | L     | L <sub>p</sub> | Q              | v    | w    | y     | Z <sup>(1)</sup> | θ        |
|--------|--------|------------------|----------------|----------------|----------------|------------------|------------------|------------------|-------|----------------|-------|----------------|----------------|------|------|-------|------------------|----------|
| mm     | 1.75   | 0.25<br>0.10     | 1.45<br>1.25   | 0.25           | 0.49<br>0.36   | 0.25<br>0.19     | 10.0<br>9.8      | 4.0<br>3.8       | 1.27  | 6.2<br>5.8     | 1.05  | 1.0<br>0.4     | 0.7<br>0.6     | 0.25 | 0.25 | 0.1   | 0.7<br>0.3       | 8°<br>0° |
| inches | 0.069  | 0.0098<br>0.0039 | 0.057<br>0.049 | 0.01           | 0.019<br>0.014 | 0.0098<br>0.0075 | 0.39<br>0.38     | 0.16<br>0.15     | 0.050 | 0.24<br>0.23   | 0.041 | 0.039<br>0.016 | 0.028<br>0.020 | 0.01 | 0.01 | 0.004 | 0.028<br>0.012   |          |

Note

1. Plastic or metal protrusions of 0.15 mm maximum per side are not included.

| OUTLINE VERSION | REFERENCES |          |      |  | EUROPEAN PROJECTION | ISSUE DATE           |
|-----------------|------------|----------|------|--|---------------------|----------------------|
|                 | IEC        | JEDEC    | EIAJ |  |                     |                      |
| SOT109-1        | 076E07S    | MS-012AC |      |  |                     | 91-08-13<br>95-01-23 |

## Low voltage versatile telephone transmission circuit with dialler interface

TEA1113

### SOLDERING

#### Introduction

There is no soldering method that is ideal for all IC packages. Wave soldering is often preferred when through-hole and surface mounted components are mixed on one printed-circuit board. However, wave soldering is not always suitable for surface mounted ICs, or for printed-circuits with high population densities. In these situations reflow soldering is often used.

This text gives a very brief insight to a complex technology. A more in-depth account of soldering ICs can be found in our *"IC Package Databook"* (order code 9398 652 90011).

#### DIP

##### SOLDERING BY DIPPING OR BY WAVE

The maximum permissible temperature of the solder is 260 °C; solder at this temperature must not be in contact with the joint for more than 5 seconds. The total contact time of successive solder waves must not exceed 5 seconds.

The device may be mounted up to the seating plane, but the temperature of the plastic body must not exceed the specified maximum storage temperature ( $T_{stg\ max}$ ). If the printed-circuit board has been pre-heated, forced cooling may be necessary immediately after soldering to keep the temperature within the permissible limit.

##### REPAIRING SOLDERED JOINTS

Apply a low voltage soldering iron (less than 24 V) to the lead(s) of the package, below the seating plane or not more than 2 mm above it. If the temperature of the soldering iron bit is less than 300 °C it may remain in contact for up to 10 seconds. If the bit temperature is between 300 and 400 °C, contact may be up to 5 seconds.

#### SO

##### REFLOW SOLDERING

Reflow soldering techniques are suitable for all SO packages.

Reflow soldering requires solder paste (a suspension of fine solder particles, flux and binding agent) to be applied to the printed-circuit board by screen printing, stencilling or pressure-syringe dispensing before package placement.

Several techniques exist for reflowing; for example, thermal conduction by heated belt. Dwell times vary between 50 and 300 seconds depending on heating method. Typical reflow temperatures range from 215 to 250 °C.

Preheating is necessary to dry the paste and evaporate the binding agent. Preheating duration: 45 minutes at 45 °C.

##### WAVE SOLDERING

Wave soldering techniques can be used for all SO packages if the following conditions are observed:

- A double-wave (a turbulent wave with high upward pressure followed by a smooth laminar wave) soldering technique should be used.
- The longitudinal axis of the package footprint must be parallel to the solder flow.
- The package footprint must incorporate solder thieves at the downstream end.

During placement and before soldering, the package must be fixed with a droplet of adhesive. The adhesive can be applied by screen printing, pin transfer or syringe dispensing. The package can be soldered after the adhesive is cured.

Maximum permissible solder temperature is 260 °C, and maximum duration of package immersion in solder is 10 seconds, if cooled to less than 150 °C within 6 seconds. Typical dwell time is 4 seconds at 250 °C.

A mildly-activated flux will eliminate the need for removal of corrosive residues in most applications.

##### REPAIRING SOLDERED JOINTS

Fix the component by first soldering two diagonally-opposite end leads. Use only a low voltage soldering iron (less than 24 V) applied to the flat part of the lead. Contact time must be limited to 10 seconds at up to 300 °C. When using a dedicated tool, all other leads can be soldered in one operation within 2 to 5 seconds between 270 and 320 °C.

## Low voltage versatile telephone transmission circuit with dialler interface

TEA1113

### DEFINITIONS

| <b>Data sheet status</b>  |   |
|---|---|
| Objective specification   | This data sheet contains target or goal specifications for product development.       |
| Preliminary specification   | This data sheet contains preliminary data; supplementary data may be published later. |
| Product specification   | This data sheet contains final product specifications.                                |
| <b>Limiting values</b>  |   |
| Limiting values given are in accordance with the Absolute Maximum Rating System (IEC 134). Stress above one or more of the limiting values may cause permanent damage to the device. These are stress ratings only and operation of the device at these or at any other conditions above those given in the Characteristics sections of the specification is not implied. Exposure to limiting values for extended periods may affect device reliability. |   |
| <b>Application information</b>  |   |
| Where application information is given, it is advisory and does not form part of the specification.   |   |

### LIFE SUPPORT APPLICATIONS

These products are not designed for use in life support appliances, devices, or systems where malfunction of these products can reasonably be expected to result in personal injury. Philips customers using or selling these products for use in such applications do so at their own risk and agree to fully indemnify Philips for any damages resulting from such improper use or sale.

# Philips Semiconductors – a worldwide company

**Argentina:** see South America

**Australia:** 34 Waterloo Road, NORTH RYDE, NSW 2113,  
Tel. +61 2 9805 4455, Fax. +61 2 9805 4466

**Austria:** Computerstr. 6, A-1101 WIEN, P.O. Box 213,  
Tel. +43 1 60 101, Fax. +43 1 60 101 1210

**Belarus:** Hotel Minsk Business Center, Bld. 3, r. 1211, Volodarski Str. 6,  
220050 MINSK, Tel. +375 172 200 733, Fax. +375 172 200 773

**Belgium:** see The Netherlands

**Brazil:** see South America

**Bulgaria:** Philips Bulgaria Ltd., Energoproject, 15th floor,  
51 James Bourchier Blvd., 1407 SOFIA,  
Tel. +359 2 689 211, Fax. +359 2 689 102

**Canada:** PHILIPS SEMICONDUCTORS/COMPONENTS,  
Tel. +1 800 234 7381

**China/Hong Kong:** 501 Hong Kong Industrial Technology Centre,  
72 Tat Chee Avenue, Kowloon Tong, HONG KONG,  
Tel. +852 2319 7888, Fax. +852 2319 7700

**Colombia:** see South America

**Czech Republic:** see Austria

**Denmark:** Prags Boulevard 80, PB 1919, DK-2300 COPENHAGEN S,  
Tel. +45 32 88 2636, Fax. +45 31 57 1949

**Finland:** Sinikalliontie 3, FIN-02630 ESPOO,  
Tel. +358 9 615800, Fax. +358 9 61580/xxx

**France:** 4 Rue du Port-aux-Vins, BP317, 92156 SURESNES Cedex,  
Tel. +33 1 40 99 6161, Fax. +33 1 40 99 6427

**Germany:** Hammerbrookstraße 69, D-20097 HAMBURG,  
Tel. +49 40 23 53 60, Fax. +49 40 23 536 300

**Greece:** No. 15, 25th March Street, GR 17778 TAVROS/ATHENS,  
Tel. +30 1 4894 339/239, Fax. +30 1 4814 240

**Hungary:** see Austria

**India:** Philips INDIA Ltd, Shivsagar Estate, A Block, Dr. Annie Besant Rd.  
Worli, MUMBAI 400 018, Tel. +91 22 4938 541, Fax. +91 22 4938 722

**Indonesia:** see Singapore

**Ireland:** Newstead, Clonskeagh, DUBLIN 14,  
Tel. +353 1 7640 000, Fax. +353 1 7640 200

**Israel:** RAPAC Electronics, 7 Kehilat Saloniki St, TEL AVIV 61180,  
Tel. +972 3 645 0444, Fax. +972 3 649 1007

**Italy:** PHILIPS SEMICONDUCTORS, Piazza IV Novembre 3,  
20124 MILANO, Tel. +39 2 6752 2531, Fax. +39 2 6752 2557

**Japan:** Philips Bldg 13-37, Kohnan 2-chome, Minato-ku, TOKYO 108,  
Tel. +81 3 3740 5130, Fax. +81 3 3740 5077

**Korea:** Philips House, 260-199 Itaewon-dong, Yongsan-ku, SEOUL,  
Tel. +82 2 709 1412, Fax. +82 2 709 1415

**Malaysia:** No. 76 Jalan Universiti, 46200 PETALING JAYA, SELANGOR,  
Tel. +60 3 750 5214, Fax. +60 3 757 4880

**Mexico:** 5900 Gateway East, Suite 200, EL PASO, TEXAS 79905,  
Tel. +9-5 800 234 7381

**Middle East:** see Italy

**Netherlands:** Postbus 90050, 5600 PB EINDHOVEN, Bldg. VB,  
Tel. +31 40 27 82785, Fax. +31 40 27 88399

**New Zealand:** 2 Wagener Place, C.P.O. Box 1041, AUCKLAND,  
Tel. +64 9 849 4160, Fax. +64 9 849 7811

**Norway:** Box 1, Manglerud 0612, OSLO,  
Tel. +47 22 74 8000, Fax. +47 22 74 8341

**Philippines:** Philips Semiconductors Philippines Inc.,  
106 Valero St. Salcedo Village, P.O. Box 2108 MCC, MAKATI,  
Metro MANILA, Tel. +63 2 816 6380, Fax. +63 2 817 3474

**Poland:** Ul. Lukiska 10, PL 04-123 WARSZAWA,  
Tel. +48 22 612 2831, Fax. +48 22 612 2327

**Portugal:** see Spain

**Romania:** see Italy

**Russia:** Philips Russia, Ul. Usatcheva 35A, 119048 MOSCOW,  
Tel. +7 095 755 6918, Fax. +7 095 755 6919

**Singapore:** Lorong 1, Toa Payoh, SINGAPORE 1231,  
Tel. +65 350 2538, Fax. +65 251 6500

**Slovakia:** see Austria

**Slovenia:** see Italy

**South Africa:** S.A. PHILIPS Pty Ltd., 195-215 Main Road Martindale,  
2092 JOHANNESBURG, P.O. Box 7430 Johannesburg 2000,  
Tel. +27 11 470 5911, Fax. +27 11 470 5494

**South America:** Rua do Rocio 220, 5th floor, Suite 51,  
04552-903 São Paulo, SÃO PAULO - SP, Brazil,  
Tel. +55 11 821 2333, Fax. +55 11 829 1849

**Spain:** Balmes 22, 08007 BARCELONA,  
Tel. +34 3 301 6312, Fax. +34 3 301 4107

**Sweden:** Kottbygatan 7, Akalla, S-16485 STOCKHOLM,  
Tel. +46 8 632 2000, Fax. +46 8 632 2745

**Switzerland:** Allmendstrasse 140, CH-8027 ZÜRICH,  
Tel. +41 1 488 2686, Fax. +41 1 481 7730

**Taiwan:** Philips Semiconductors, 6F, No. 96, Chien Kuo N. Rd., Sec. 1,  
TAIPEI, Taiwan Tel. +886 2 2134 2870, Fax. +886 2 2134 2874

**Thailand:** PHILIPS ELECTRONICS (THAILAND) Ltd.,  
209/2 Sanpavuth-Bangna Road Prakanong, BANGKOK 10260,  
Tel. +66 2 745 4090, Fax. +66 2 398 0793

**Turkey:** Talatpasa Cad. No. 5, 80640 GÜLTEPE/ISTANBUL,  
Tel. +90 212 279 2770, Fax. +90 212 282 6707

**Ukraine:** PHILIPS UKRAINE, 4 Patrice Lumumba str., Building B, Floor 7,  
252042 KIEV, Tel. +380 44 264 2776, Fax. +380 44 268 0461

**United Kingdom:** Philips Semiconductors Ltd., 276 Bath Road, Hayes,  
MIDDLESEX UB3 5BX, Tel. +44 181 730 5000, Fax. +44 181 754 8421

**United States:** 811 East Arques Avenue, SUNNYVALE, CA 94088-3409,  
Tel. +1 800 234 7381

**Uruguay:** see South America

**Vietnam:** see Singapore

**Yugoslavia:** PHILIPS, Trg N. Pasica 5/v, 11000 BEOGRAD,  
Tel. +381 11 625 344, Fax. +381 11 635 777

**For all other countries apply to:** Philips Semiconductors, Marketing & Sales Communications,  
Building BE-p, P.O. Box 218, 5600 MD EINDHOVEN, The Netherlands, Fax. +31 40 27 24825

**Internet:** <http://www.semiconductors.philips.com>

© Philips Electronics N.V. 1997

SCA53

All rights are reserved. Reproduction in whole or in part is prohibited without the prior written consent of the copyright owner.

The information presented in this document does not form part of any quotation or contract, is believed to be accurate and reliable and may be changed without notice. No liability will be accepted by the publisher for any consequence of its use. Publication thereof does not convey nor imply any license under patent- or other industrial or intellectual property rights.

Printed in The Netherlands

417027/1200/02/pp20

Date of release: 1997 Mar 27

Document order number: 9397 750 00632

*Let's make things better.*

**Philips  
Semiconductors**



**PHILIPS**