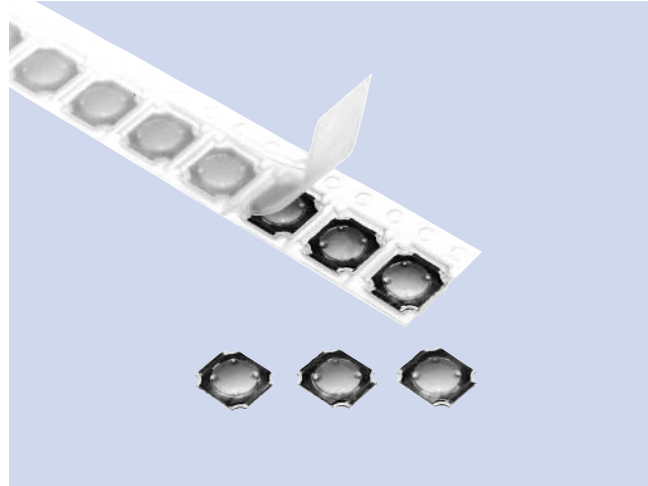


Element Key Switches SOP Series

FEATURES

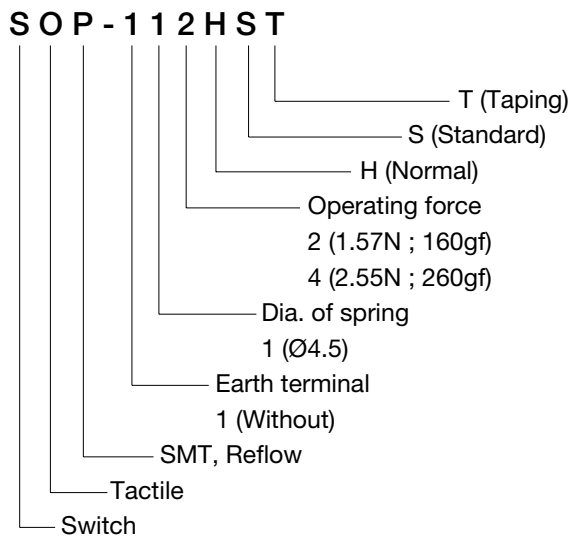
1. Extra low-profile 0.6mm thickness.
2. Surface mounting type and permits re-flow soldering.
Taping type for auto mounting is available.
3. Click feel with metal diaphragm contact.



USES

1. For VCR camcorder, thin and compact sets.
2. For portable audio and visual equipments.
3. Portable telephone, pager and compact telecommunication equipments.

MODEL NAME CODE



SPECIFICATIONS

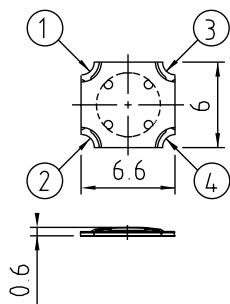
Electrical Characteristics	Rating	50mA, 12V DC
	Contact Resistance	1Ω or less
	Insulation Resistance	100MΩ or more
	Withstand Voltage	1 minute at 100V AC
	Bouncing	10mS or less
Mechanical Characteristics	Operating Force	1.57N, 2.55N (160gf, 260gf)
Life		100,000 cycles

TYPE

Model Name Code	Order Number	Operating Force
SOP-112HST	R66 5373	1.57N (160gf)
SOP-114HST	R66 5374	2.55N (260gf)

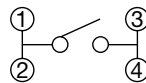
DIMENSIONS

Outer Dimensions

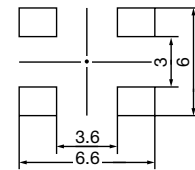


Unit : mm

Circuit Diagram

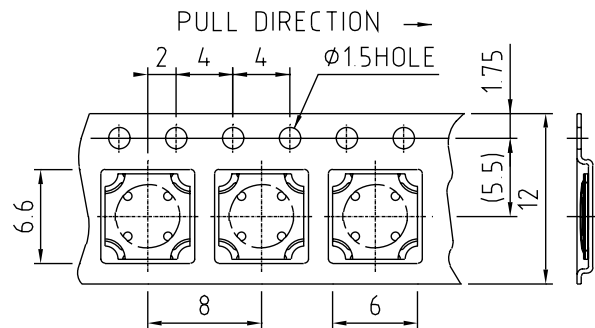
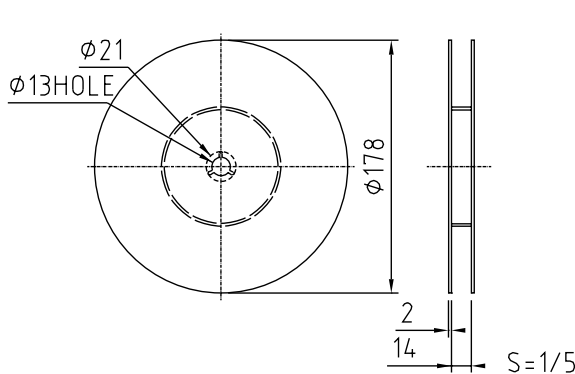


Mounting Pattern



Unit : mm

TAPING SPECIFICATIONS



*One reel accommodates 1,000 pieces (Ø178) or 5,000 pieces (Ø330).

Unit : mm

■ NOTICE

- (1) Please do not wash this switch.
- (2) A rule of this switch position don't making with taping.
- (3) Minimum packing Unit : 1,000Pcs./Reel.