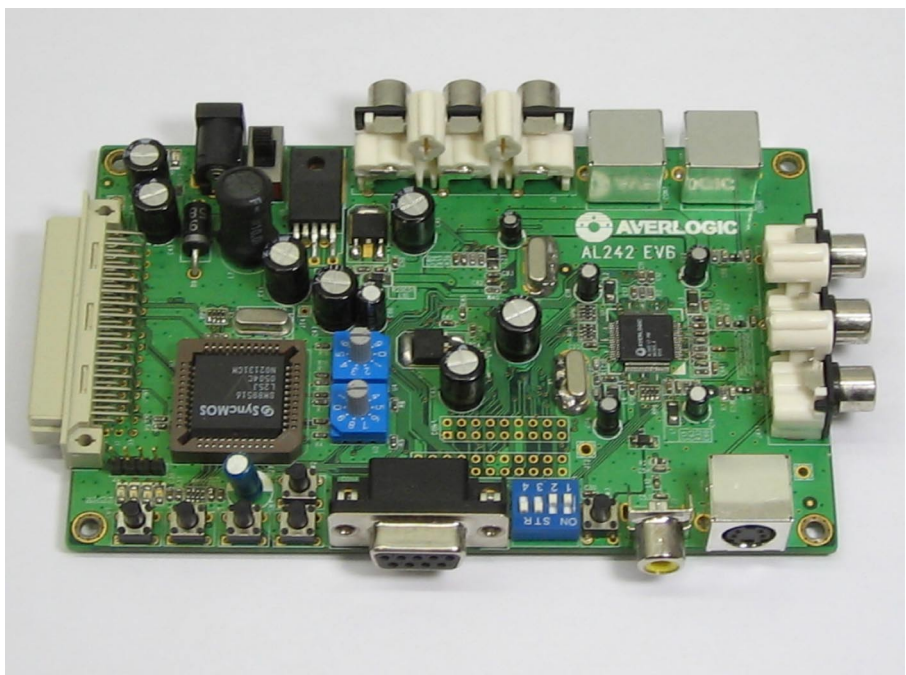
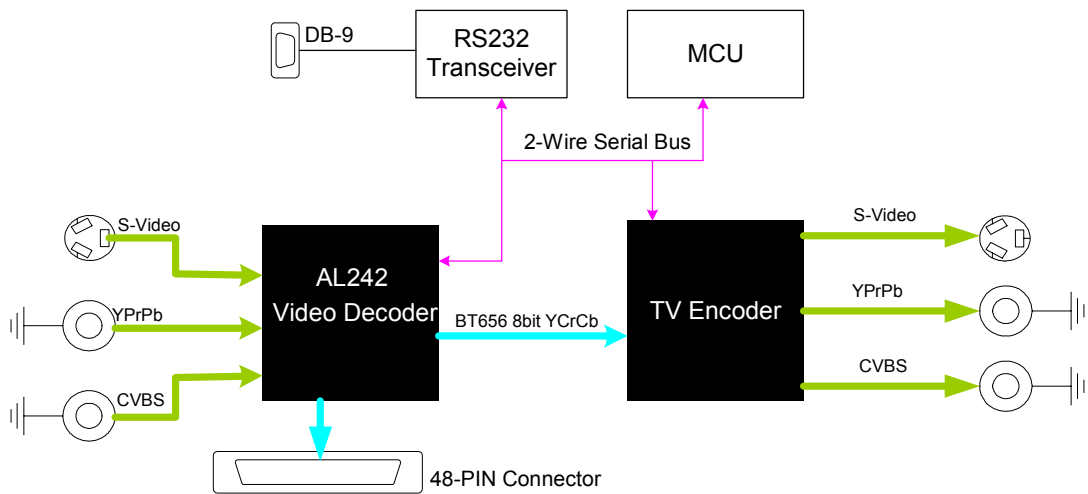


AL242 Sales Kit
Standalone 2D Video Decoder Device

The AL242 standalone 2D video decoder device provides an easy solution for video decoding function. It is mainly composed of video decoder (AL242) and other chips such as video encoder and microcontroller.

It supports input connectors including analog CVBS, S-video & Component video. It provides cost-effective high quality NTSC/PAL/SECAM video decoder with 2D-Comb filter adapted Y/C separation process. It is also equipped with BCS (Brightness, Contrast, Saturation and Hue) control for interlaced video and fast channel switch under CVBS video inputs.





AL242 Sales Kit
Standalone 2D Video Decoder Device

Features

- High quality 2-D Comb filter for Y/C separation
- Fast channel switch with smooth display under CVBS input signals
- Various analog video types and inputs
- Close Caption VBI detection & decoding
- BCS (Brightness, Contrast, Saturation and Hue) control
- 10bit ADC for high analog video conversion quality
- Support analog CVBS, S-Video & YPrPb outputs

Specifications

Video Input Types

- NTSC – M/4.43 Standard
- PAL –I/B/G/H/D/N/M Standard
- SECAM Standard

Video Input Formats

- CVBS (RCA)
- YPrPb Component (RCA)
- S-Video (Y/C)

Video Output

- CVBS (RCA)
- YPrPb Component (RCA)
- S-Video (Y/C)

Debug Port

- RS232 Serial Port (DB-9 connector)
- 2-Wire Serial Bus Port

Mechanical

- Component, S-Video and RCA composite video input connectors for external analog video sources
- 48-pin connector is used for digital video & control signal

Ordering Information

Part Number	AL242C-EVB-A1
Description	<p>AL242 EVB Kit Package Contents</p> <ul style="list-style-type: none"> ➤ Hardware <ul style="list-style-type: none"> ■ AL242 Standalone 2D Video Decoder EVB Device ■ Video Cables, Power Cord and Adapter ■ AL242 EVB H/W Reference Design (includes schematics, Gerber & layout files, By Request) ➤ Software <ul style="list-style-type: none"> ■ AL242 EVB S/W Reference Design (includes source code & binary files, By Request) ➤ Document <ul style="list-style-type: none"> ■ EVB User's Manual ■ AL242 Datasheets (By Request) ■ AL242 EVB H/W Application Note (By Request) ■ AL242 EVB S/W Application Note (By Request)

[By Request](#): Please contact us for further information.