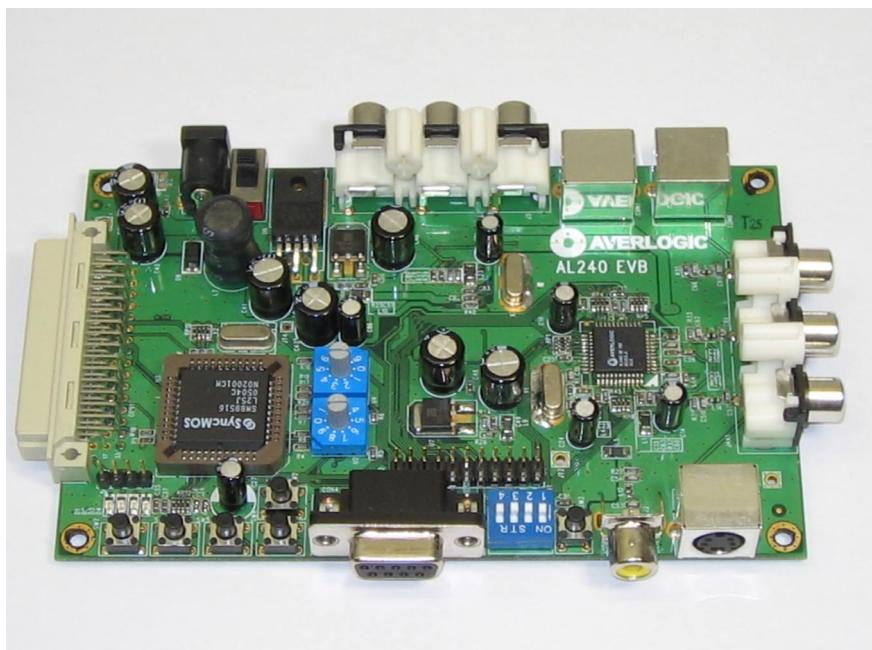
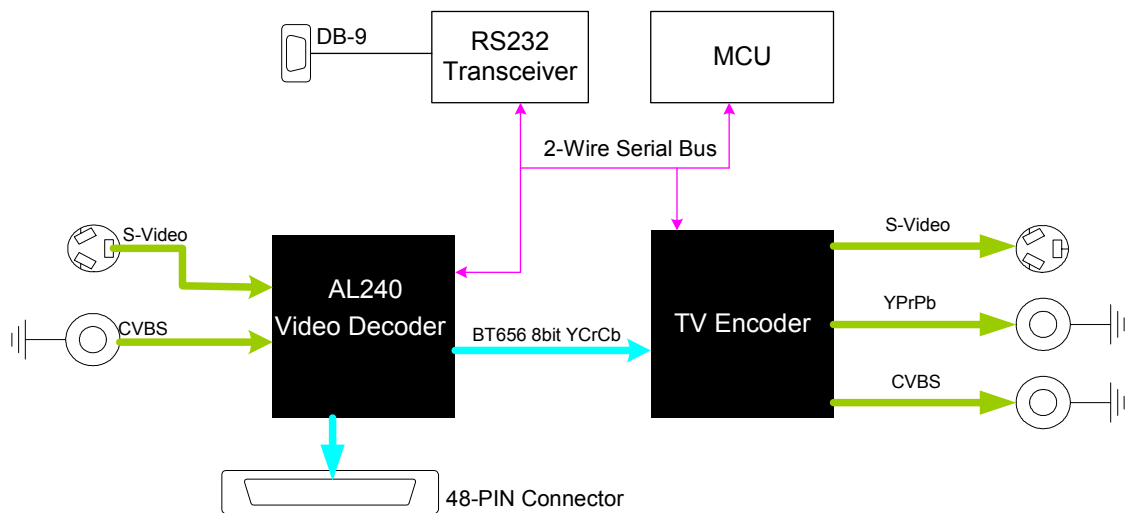


AL240 Sales Kit
Standalone Video Decoder Device

The AL240 standalone video decoder device provides an easy solution for video decoding function. It is mainly composed of video decoder (AL240) and other chips such as video encoder and microcontroller.

It supports input connectors including analog CVBS and S-video. It provides cost-effective and high-quality NTSC/PAL/SECAM video decoding with an adaptive comb-filter Y/C separation process. It is also equipped with BCS (Brightness, Contrast, Saturation and Hue) control for interlaced video and fast channel switch under CVBS video inputs.





AL240 Sales Kit
Standalone Video Decoder Device

Features

- High quality adaptive comb-filter for Y/C separation
- Various analog video types and inputs
- BCS (Brightness, Contrast, Saturation and Hue) control
- Support analog CVBS, S-Video & YPrPb outputs
- Fast channel switch with smooth display under CVBS input signals
- Close Caption VBI detection & decoding
- 10bit ADC for high analog video conversion quality

Specifications

Video Input Types

- NTSC – M/4.43 Standard
- PAL –I/B/G/H/D/N/M Standard
- SECAM Standard

Video Input Formats

- CVBS (RCA)
- S-Video (Y/C)

Video Output

- CVBS (RCA)
- YPrPb Component (RCA)
- S-Video (Y/C)

Debug Port

- RS232 Serial Port (DB-9 connector)
- 2-Wire Serial Bus Port

Mechanical

- S-Video and RCA composite video input connectors for external analog video sources
- 48-pin connector is used for digital video & control signal

Ordering Information

Part Number	AL240C-EVB-A1
Description	<p>AL240 EVB Kit Package Contents</p> <ul style="list-style-type: none"> ➤ Hardware <ul style="list-style-type: none"> ■ AL240 Standalone Video Decoder EVB Device ■ Video Cables, Power Cord and Adapter ■ AL240 EVB H/W Reference Design (includes schematics, Gerber & layout files, By Request) ➤ Software <ul style="list-style-type: none"> ■ AL240 EVB S/W Reference Design (includes source code & binary files, By Request) ➤ Document <ul style="list-style-type: none"> ■ EVB User's Manual ■ AL240 Datasheets (By Request) ■ AL240 EVB H/W Application Note (By Request) ■ AL240 EVB S/W Application Note (By Request)

[By Request](#): Please contact us for further information.