

**Gold Bonded****AA143****Germanium Diodes***Optimized for Radio Frequency Response*

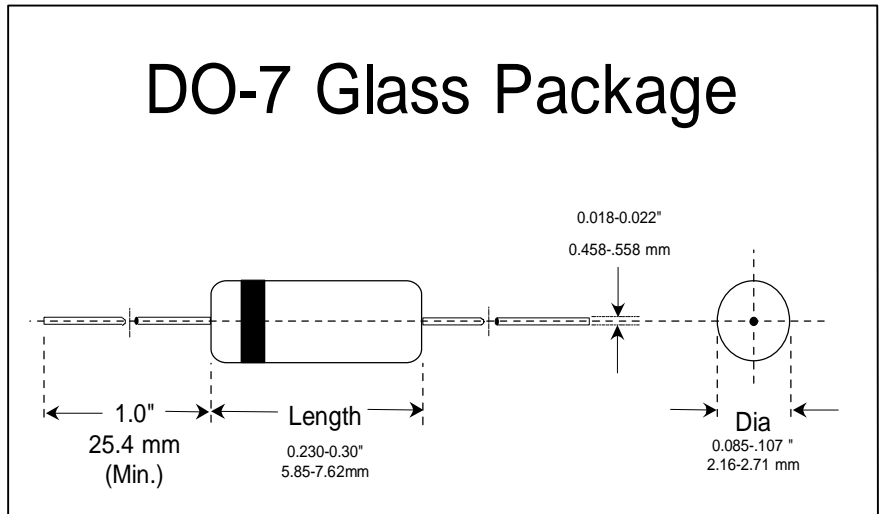
Can be used in many AM, FM and TV-IF applications, replacing point contact devices.

## Applications

- AM/FM detectors
- Ratio detectors
- FM discriminators
- TV audio detectors
- RF input probes
- TV video detectors

## Features

- Lower leakage current
- Flat junction capacitance
- High mechanical strength
- At least 1 million hours MTBF
- BKC's Sigma-Bond™ plating for problem free solderability

**Absolute Maximum Ratings** at  $T_{amb} = 25\text{ }^{\circ}\text{C}$ 

Parameter	Symbols	Min.	Max.	Units
Peak Inverse Voltage	PIV	**	25	Volts
Surge Current, $t = 1$ Second	$I_{FSM}$		0.5	Amps
Average Rectified Forward Current	$I_O$		40	mA
Peak Operating Current	$I_{OS}$		325	mA
Operating and Storage Temperatures	$T_{J\&STG}$	-65	+85	$^{\circ}\text{C}$

**Electrical Characteristics** at  $T_{amb} = 25\text{ }^{\circ}\text{C}$ 

Parameter	Test Conditions	Symbols	Min.	Typ.	Max.	Units
Forward Voltage Drop	$I_F = 2.0$ mA	$V_F$	0.29		0.33	Volts
Forward Voltage Drop	$I_F = 15$ mA	$V_F$	***		0.50	Volts
Breakdown Voltage @ $I_R = 0.1$ mA		PIV	25			Volts
Reverse Leakage	$V_R = 50$ Volts	$I_R$		**	100	$\mu\text{A}$
Junction Capacitance	$f = 1\text{MHz}$ , $V_R = 3$ volts	$C_J$		1.2		pF
Reverse Recovery Time	$I_f = 2\text{mA}$ , $I_r = 0.2$ mA			$T_{rr}$	70	nSec



6 Lake Street - Lawrence, MA 01841

Tel: 978-681-0392 - Fax: 978-681-9135