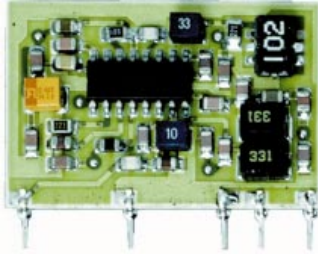


RRS2-XXX

AM Superhet Receiver



General description

The RRS2-XXX is an AM superhet data receiver with LC Front End Filter.

IF Frequency: 500KHz

Typical sensitivity: -102dBm (1.8uVrms)

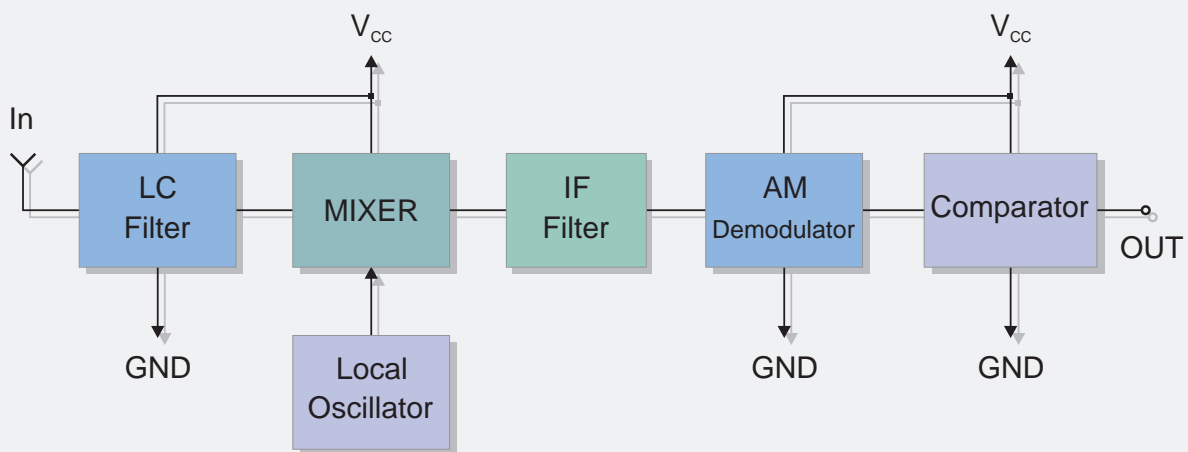
Supply current: 3.7 mA (typ)

XXX: custom-specified working frequency
(315, 418, 433.92 MHz)

Applications

- Wireless security systems
- Car Alarm systems
- Remote gate controls
- Sensor reporting

BLOCK DIAGRAM



Electrical Characteristics

Ta = 25°C unless otherwise specified

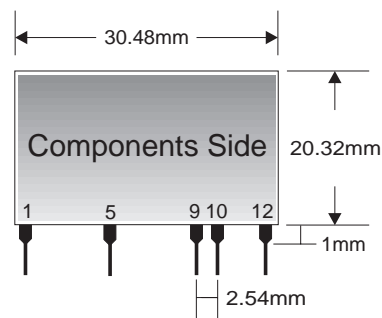
CHARACTERISTICS	MIN	TYP	MAX	UNIT
V _{CC} Supply Voltage	4.5	5	5.5	VDC
I _S Supply Current		3.7	5	mA
F _R Receiver Frequency		315/418/433.92		MHz
F _{IF} IF Frequency		500		KHz
Max Data Rate			3	KHz
RF Sensitivity (100% AM)*		-102		dBm
Level of Emitted Spectrum		-50		dBm
V _{ol} Low-Level Output Voltage (I _L =-200uA)			0.6	V
V _{oh} High-Level Output Voltage (I _L =10uA)	V _{CC} - 0.5			V
T _{OP} Operating Temperature Range	-25		+80	°C

* Best Performances are obtained utilizing a transmitted coding with a DC average value independent of the data content (BiPhase Manchester coding)

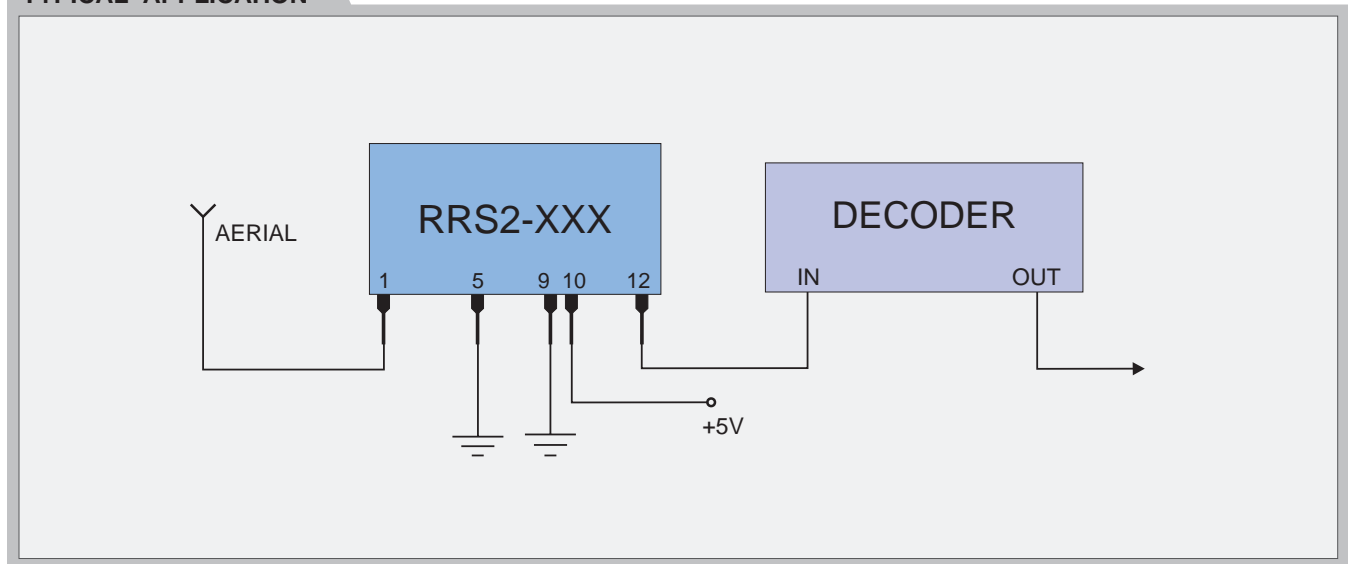
Pin Description

1	IN
5	GND
9	GND
10	VCC
12	OUT

Mechanical Dimensions



TYPICAL APPLICATION



HEAD OFFICE & PLANT

Via Naz. delle Puglie 177
80026 Casoria (NA), Italy
Tel: +39 081 7599033
Fax: +39 081 7596494