

FEATURES

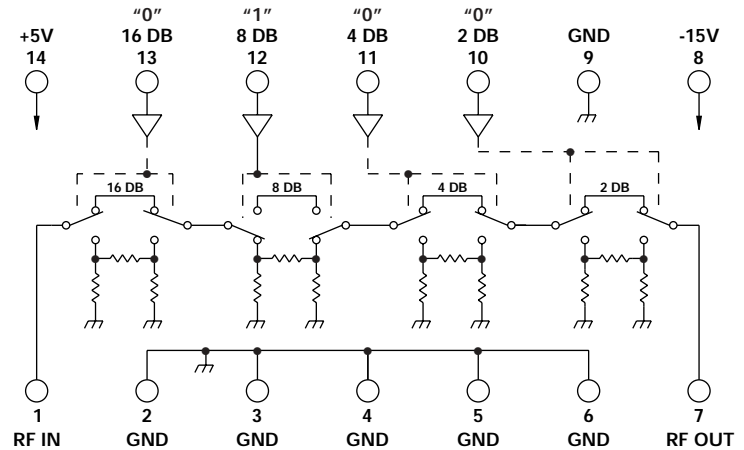
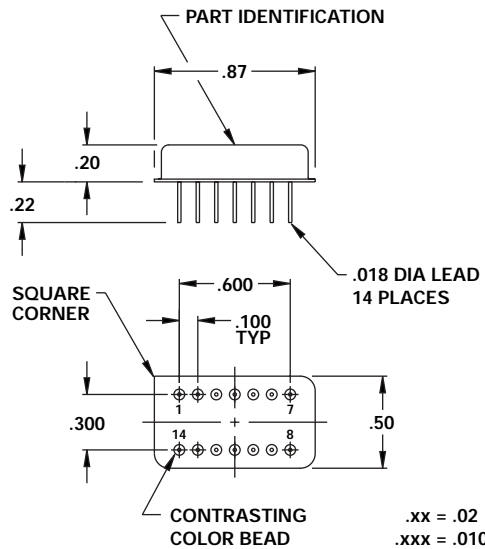
- DC - 2000 MHz
- 2 dB LSB, 30 dB Range
- TTL Driver
- 14 Pin DIP
- High Intercept Point



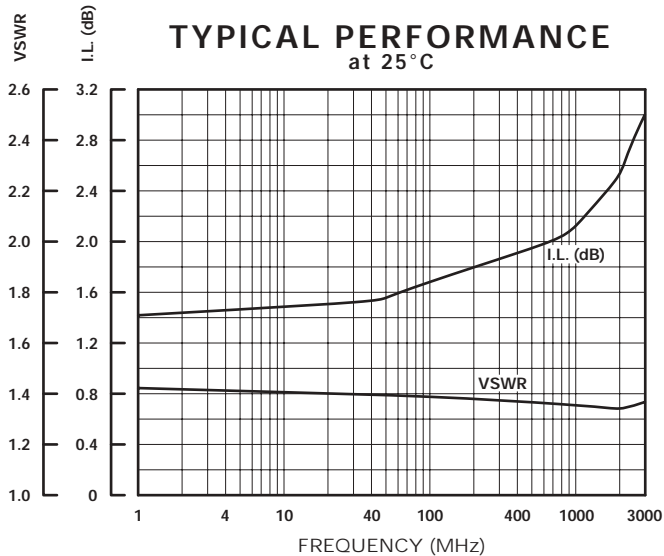
MODEL NO.
DAT41944

GaAs 4 Section Attenuator

4 BIT



GUARANTEED PERFORMANCE



Parameter	Min	Typ	Max	Units	Conditions
Operating Frequency	DC		2000	MHz	
DC Current		28 18	35 25	mA	At +5 VDC Supply At -15 VDC Supply
Control Type		TTL			4 Line Logic "0" = Thru Logic "1" = Attenuation
Control Current	High Low	1 1	±40 ±40	µA	V _{IH} = +2.7 Volts V _{IL} = +0.5 Volts
Insertion Loss			2.5 3.0	dB	
Attenuation	LSB Range Accuracy	0	2.0 30	dB dB dB	2, 4, 8, 16 ± (0.25 dB +2% of Atten. Setting in dB)
VSWR		1.4/1	2/1		
Impedance		50		OHMS	
Switching Speed		33	100	nSec	50% TTL to 90% / 10% RF
Transition (Rise/Fall) Time		20	25	nSec	10% / 90% - 90% / 10% RF
Switching (Video) Transients		38	100	mV	Peak Value
Intercept Points	2nd 3rd	+50 +30	+54 +36	dBm dBm	Above 20 MHz Above 20 MHz
RF Power	Operate No Damage		+16 +20	dBm dBm	0.1 dB Compression (>100 MHz)
Operating Temperature		-55	+25 +85	°C	TA