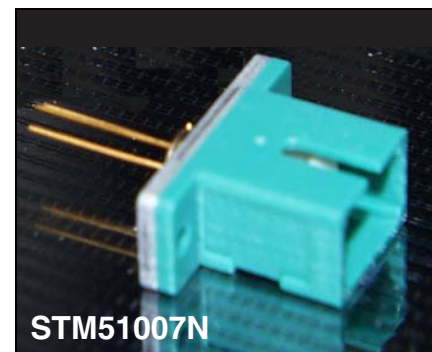
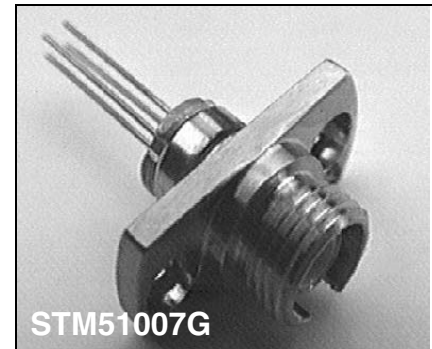


**Medium Power  
1300 nm FP Laser  
in FC or SC Receptacle Package**

**STM51007x**

**Features**

- Designed for applications in fiber optic networks
- Laser Diode with Multi-Quantum Well structure
- Suitable for bit rates up to 1 Gbit/s
- Ternary Photodiode at rear mirror for monitoring and control of radiant power
- Hermetically sealed subcomponents, similar to TO 46
- SM receptacle with 2-hole flange and optional connector



Pin Configuration and Flange

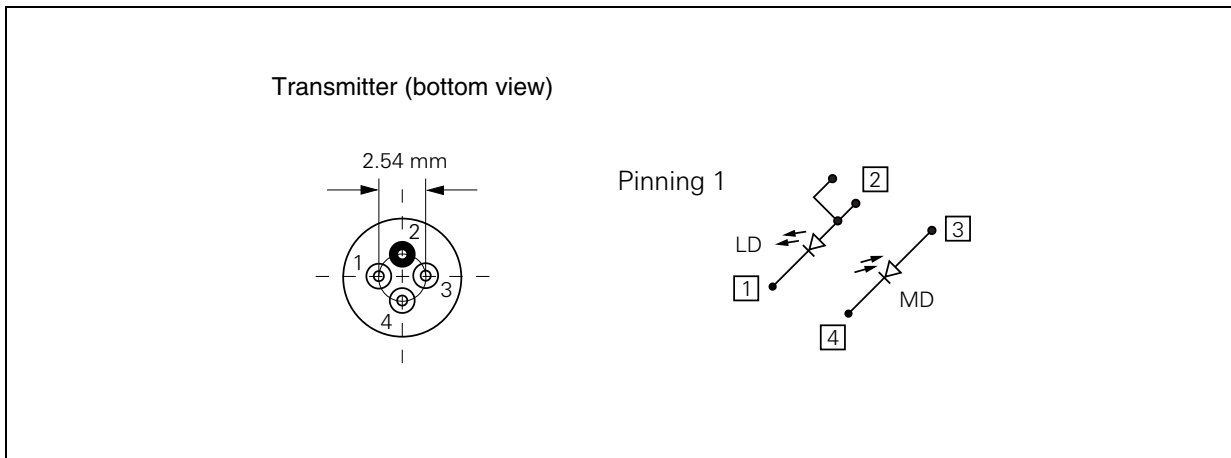


Figure 1 Transmitter

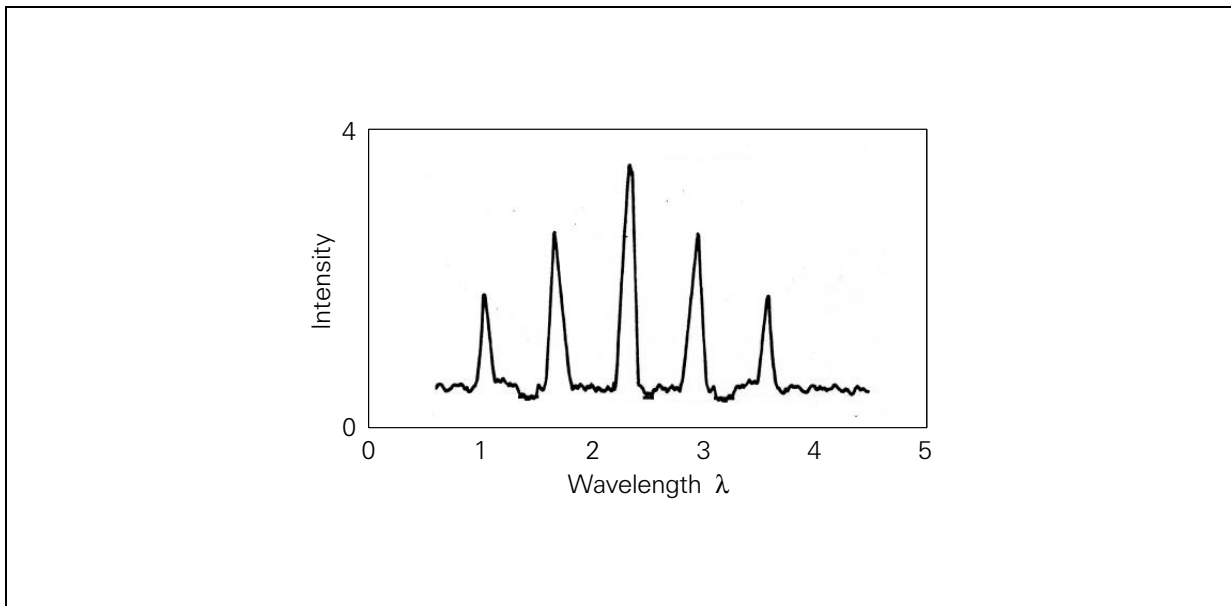
Available Pinnings with Flange

| Type      | Transmitter |
|-----------|-------------|
| STM51007x | 1           |

**Description**

**Differences between a Fabry-Perot and a DFB Laserdiode**

A conventional laser consists of an amplifying medium and two end mirrors. The cavity is longer than one wavelength, and a standing wave is created. The number  $n$  of half wavelengths  $\lambda$  is  $n = 2 \times \frac{L}{\lambda}$ . If  $L \gg \lambda$  then we speak of a Fabry-Perot Laser because the laserdiode emits multi-longitudinal modes. Typically the laserdiode is 250  $\mu\text{m}$  long. For  $\lambda = 1310 \text{ nm}/1550 \text{ nm}$   $n$  is about 350. Therefore for many neighboring wavelengths the “standing wavelength” condition specified above is fulfilled. For a DFB-Laser a special grating acts as a distributed filter allowing only one of the cavity’s longitudinal modes to propagate. This can be described with a reduced oscillator length  $\tilde{L}$  which is in the range of  $\lambda$ . For such a reduced oscillator length the standing wavelength condition will be fulfilled for  $n \approx 2$  what means for only one wavelength.



**Figure 2 Fabry-Perot Laserdiode**

Description

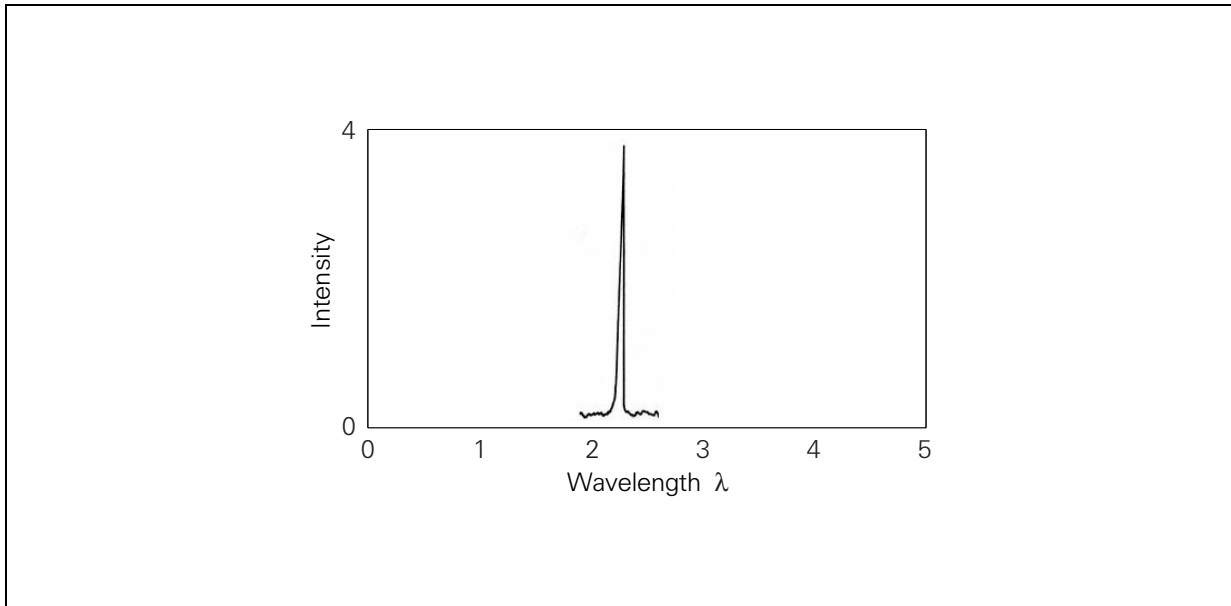


Figure 3 DFB Laserdiode

Regulatory Compliance

| Feature  | Standard                   | Comments         |
|--|----------------------------|------------------|
| Electrostatic Discharge (ESD) to the Electrical Pins | MIL-STD 883D Method 3015.7 | Class 1 (<500 V) |

**Technical Data**
**Absolute Maximum Ratings**

| Parameter | Symbol | Limit Values |      | Unit |
|-----------|--------|--------------|------|------|
|           |        | min.         | max. |      |

**Module**

|  |           |     |     |    |
|--|-----------|-----|-----|----|
| Operating temperature range at case  | $T_C$     | -40 | 85  | °C |
| Storage temperature range  | $T_{stg}$ | -40 | 85  |    |
| Soldering temperature ( $t_{max} = 10$ s,<br>2 mm distance from bottom edge of case) | $T_S$     |     | 260 |    |

**Laser Diode**

|                        |               |  |     |    |
|------------------------|---------------|--|-----|----|
| Direct forward current | $I_{F\ max}$  |  | 120 | mA |
| Radiant power CW       | $P_{F,\ rad}$ |  | 2   | mW |
| Reverse Voltage        | $V_R$         |  | 2   | V  |

**Monitor Diode**

|                 |       |  |    |    |
|-----------------|-------|--|----|----|
| Reverse Voltage | $V_R$ |  | 10 | V  |
| Forward Current | $I_F$ |  | 2  | mA |

The electro-optical characteristics described in the following tables are only valid for use within the specified maximum ratings or under the recommended operating conditions.

**Transmitter Electro-Optical Characteristics**

| Parameter  | Symbol            | Limit Values |      |      | Unit |
|--|-------------------|--------------|------|------|------|
|  |                   | min.         | typ. | max. |      |
| Optical output power (maximum)                                 | $P_{F,\ max}$     | 1.2          |      |      | mW   |
| Emission wavelength center of range, $P_F = 0.5 P_{F,\ max}$ . | $\lambda_{trans}$ | 1280         |      | 1330 | nm   |
| Spectral width (RMS)   | $\sigma_\lambda$  |              |      | 5    |      |
| Temperature coefficient of wavelength                          | $TC$              |              |      | 0.5  | nm/K |
| Threshold current (whole temperature range)                    | $I_{th}$          | 2            |      | 45   | mA   |
| Forward voltage, $P_F = 0.5 P_{F,\ max}$ .                     | $V_F$             |              |      | 1.5  | V    |
| Radiant power at $I_{th}$                                      | $P_{th}$          |              |      | 40   | µW   |

**Transmitter Electro-Optical Characteristics (cont'd)**

| Parameter  | Symbol           | Limit Values |      |      | Unit     |
|--|------------------|--------------|------|------|----------|
|  |                  | min.         | typ. | max. |          |
| Slope efficiency (−40...85°C)                    | $\eta$           | 20           |      | 100  | mW/A     |
| Variation of 1st derivative of P/I (0.1 to 1 mW) | $S_{\text{var}}$ | −30          |      | 30   | %        |
| Differential series resistance                   | $R_S$            |              |      | 8    | $\Omega$ |
| Rise time (10%–90%)                              | $t_r$            |              | 100  | 200  | ps       |
| Fall time (10%–90%)                              | $t_f$            |              | 270  | 500  |          |

**Monitor Diode Electro-Optical Characteristics**

| Parameter  | Symbol | Limit Values |      | Unit          |
|--|--------|--------------|------|---------------|
|  |        | min.         | max. |               |
| Dark current, $V_R = 5 \text{ V}$ , $P_F = 0$ , $T = T_{\text{max}}$ | $I_R$  |              | 500  | nA            |
| Photocurrent, $V_R = 5 \text{ V}$ , $P_F = 0.5 P_{F, \text{max}}$    | $I_P$  | 100          | 1000 | $\mu\text{A}$ |
| Capacitance, $V_R = 5 \text{ V}$ , $f = 1 \text{ MHz}$               | $C_5$  |              | 10   | pF            |
| Tracking error <sup>1)</sup> , $V_R = 5 \text{ V}$                   | TE     | −1           | 1    | dB            |

<sup>1)</sup> The tracking error TE is the maximum deviation of  $P_F$  at constant current  $I_{\text{mon}}$  over a specified temperature range and relative to the reference point:  $I_{\text{mon, ref}} = I_{\text{mon}} (T = 25^\circ\text{C}, P_F = 0.5 P_{F, \text{max}})$ . Thus, TE is given by:

$$\text{TE [dB]} = 10 \times \log \frac{P_F [T_C]}{P_F [25^\circ\text{C}]}$$

**End of Life Time Characteristics**

| Parameter   | Symbol          | Limit Values |      | Unit          |
|---|-----------------|--------------|------|---------------|
|   |                 | min.         | max. |               |
| Threshold current at $T = T_{\text{max}}$   | $I_{\text{th}}$ |              | 60   | mA            |
| Current above threshold, over full temperature range, at $I_{\text{mon, ref}} = I_{\text{mon}} (T = 25^\circ\text{C}, P_F = 0.5 P_{F, \text{max}}, \text{BOL})$ | $\Delta I_F$    | 7            | 70   |               |
| Tracking Error  | TE              | −1.5         | 1.5  | dB            |
| Monitor Dark Current, $V_R = 2 \text{ V}$ , $T = T_{\text{max}}$  | $I_R$           |              | 1    | $\mu\text{A}$ |

**Fiber Data**

The mechanical fiber characteristics are described in the following table.

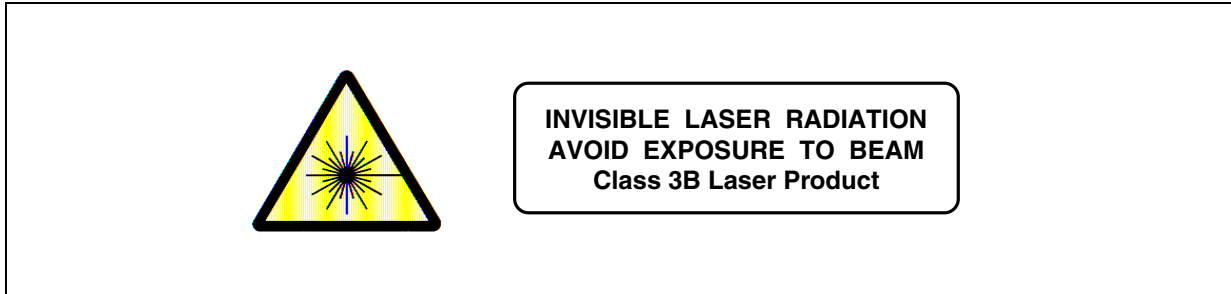
**Fiber Characteristics**

| Parameter                               | Limit Values |      |      | Unit |
|---|--------------|------|------|------|
|   | min.         | typ. | max. |      |
| Mode Field Diameter                     | 8            | 9    | 10   | μm   |
| Cladding Diameter                       | 123          | 125  | 127  |      |
| Mode Field/Cladding Concentricity Error |              |      | 1    |      |
| Cladding Non-circularity                |              |      | 2    | %    |
| Mode Field Non-circularity              |              |      | 6    |      |
| Cut off Wavelength                      | 1270         |      |      | nm   |
| Jacket Diameter                         | 0.8          |      | 1    | mm   |
| Bending Radius                          | 30           |      |      |      |
| Tensile Strength Fiber Case             | 5            |      |      | N    |
| Length                                  | 0.8          |      | 1.2  | m    |

**Eye Safety**

Ensure to avoid exposure of human eyes to high power laser diode emitted laser beams. Especially do not look directly into the laser diode or the collimated laser beam when the diode is activated.

**Class 3B Laser Product According to IEC 60825-1**



**Figure 4 Required Labels**

**Class IIIb Laser Product According to FDA Regulations Complies with 21 CFR 1040.10 and 1040.11**



**Figure 5 Required Label**

**Laser Data**

|                                     |                 |
|-------------------------------------|-----------------|
| Wavelength                          | 1300 nm         |
| Maximum total output power          | less than 50 mW |
| Beam divergence (1/e <sup>2</sup> ) | 10°             |



Package Outlines

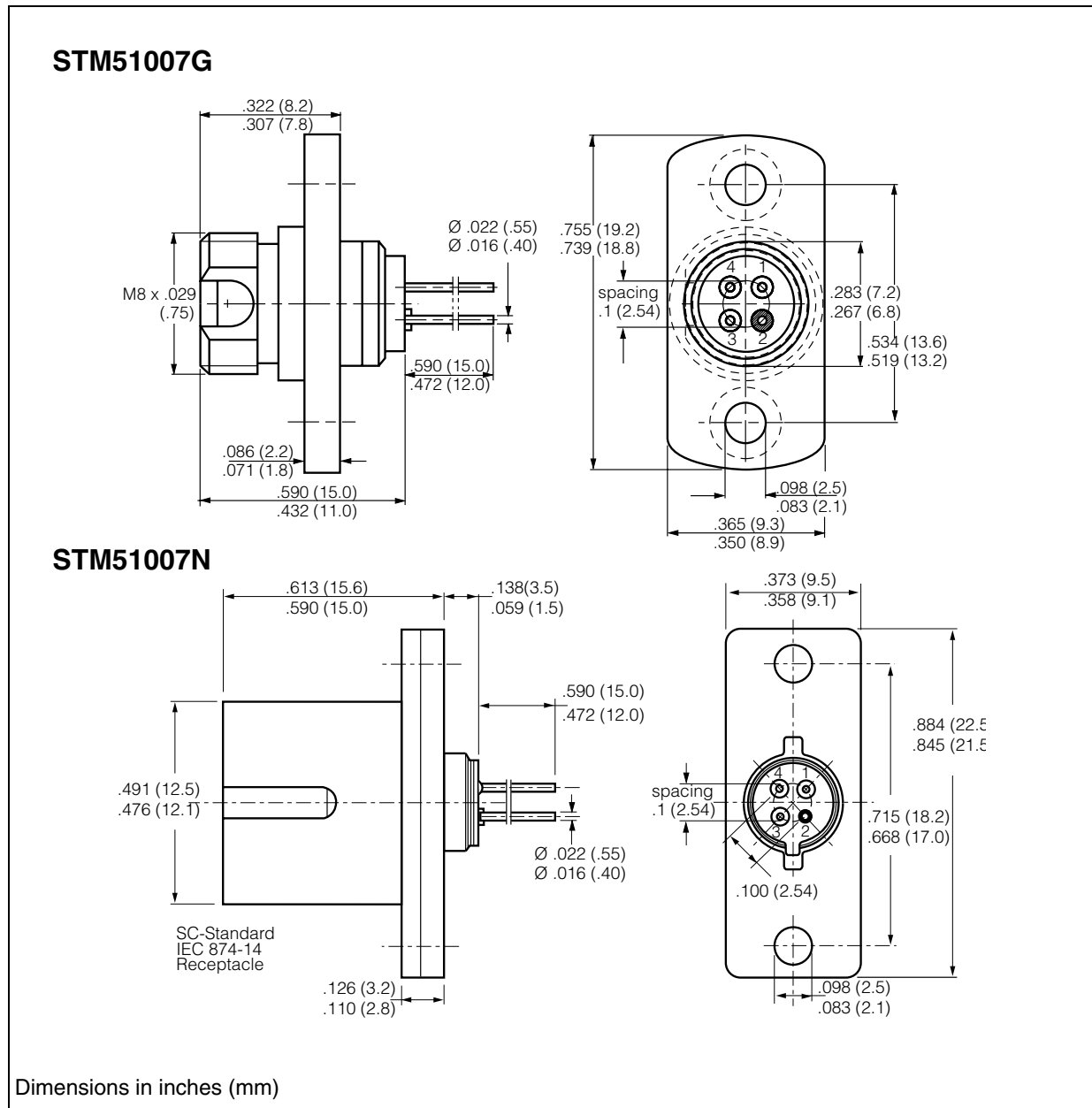


Figure 6

Flange Options

| Model     | Type                     |
|-----------|--------------------------|
| STM51007G | SM FC Receptacle Package |
| STM51007N | SM SC Receptacle Package |

---

**STM51007x****Revision History:            2001-06-01****DS0**

---

Previous Version:

| <b>Page</b> | <b>Subjects (major changes since last revision)</b> |
|-------------|---|
|             | Document's layout has been changed: 2002-Aug.       |

---

For questions on technology, delivery and prices please contact the Infineon Technologies Offices in Germany or the Infineon Technologies Companies and Representatives worldwide: see our webpage at <http://www.infineon.com>.

**Edition 2001-06-01**

**Published by Infineon Technologies AG,  
St.-Martin-Strasse 53,  
D-81541 München, Germany**

**© Infineon Technologies AG 2002.  
All Rights Reserved.**

**Attention please!**

The information herein is given to describe certain components and shall not be considered as warranted characteristics.

Terms of delivery and rights to technical change reserved.

We hereby disclaim any and all warranties, including but not limited to warranties of non-infringement, regarding circuits, descriptions and charts stated herein.

Infineon Technologies is an approved CECC manufacturer.

**Information**

For further information on technology, delivery terms and conditions and prices please contact your nearest Infineon Technologies Office in Germany or our Infineon Technologies Representatives worldwide.

**Warnings**

Due to technical requirements components may contain dangerous substances. For information on the types in question please contact your nearest Infineon Technologies Office.

Infineon Technologies Components may only be used in life-support devices or systems with the express written approval of Infineon Technologies, if a failure of such components can reasonably be expected to cause the failure of that life-support device or system, or to affect the safety or effectiveness of that device or system. Life-support devices or systems are intended to be implanted in the human body, or to support and/or maintain and sustain and/or protect human life. If they fail, it is reasonable to assume that the health of the user or other persons may be endangered.