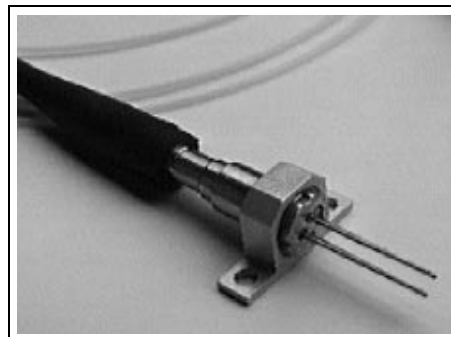


1300 nm Laser in Receptacle Package, Medium Power

STM 51004X
STM 51005X

- Designed for application in fiber-optic networks
- Laser Diode with Multi-Quantum Well structure
- Suitable for bit rates up to 1 Gbit/s
- Ternary photodiode at rear mirror for monitoring and control of radiant power
- Hermetically sealed subcomponent, similar to TO 18
- SM Pigtail with optional flange



Type	Ordering Code	Connector/Flange
STM 51004G	Q62702-P3001	FC / without flange
STM 51004A	Q62702-P3050	DIN / without flange
STM 51005G	Q62702-P3061	FC / with flange
STM 51005A	Q62702-P3056	DIN / with flange

Maximum Ratings

Output power ratings refer to the SM fiber output. The operating temperature of the submount is identical to the case temperature.

Parameter	Symbol	Values	Unit
Module			
Operating temperature range at case	T_C	- 40 ... + 85	°C
Storage temperature range	T_{stg}	- 40 ... + 85	°C
Soldering temperature $t_{max} = 10$ s, 2 mm distance from bottom edge of case	T_S	260	°C
Laserdiode			
Direct forward current	$I_{F\ max}$	120	mA
Radiant power CW	Φ_e	2	mW
Reverse voltage	$V_{R\ max}$	2	V

Maximum Ratings (cont'd)

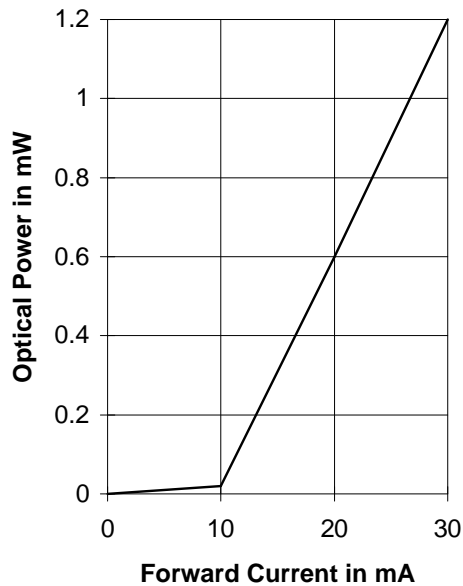
Parameter	Symbol	Values	Unit
Monitor Diode			
Reverse voltage	$V_{R\ max}$	10	V

Characteristics

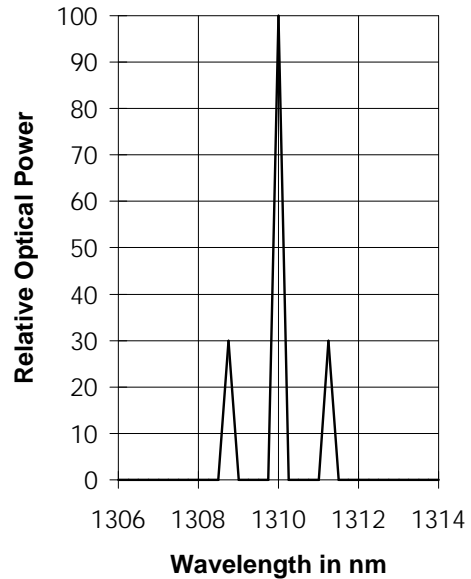
All optical data refer to a coupled 10/125 μm SM fiber, $T_C = 25\ ^\circ\text{C}$.

Parameter	Symbol	Values	Unit
Laser Diode			
Optical output power	Φ_e	> 1.2	mW
Emission wavelength center of range $\Phi_e = 0.5\ \text{mW}$	λ	1280 ... 1330	nm
Spectral bandwidth $\Phi_e = 0.5\ \text{mW}$ (RMS)	$\Delta\lambda$	< 5	nm
Threshold current ($-40\ \dots\ +85\ ^\circ\text{C}$)	I_{th}	2 ... 45	mA
Forward voltage $\Phi_e = 0.5\ \text{mW}$	V_F	< 1.5	V
Radiant power at threshold	Φ_{eth}	< 40	μW
Slope efficiency	η	20 ... 100	mW/A
Differential series resistance	r_S	< 8	Ω
Rise time/Fall time	t_R, t_F	< 1	ns
Monitor Diode			
Dark current, $V_R = 5\ \text{V}$, $\Phi_e = 0$	I_R	< 500	nA
Photo current, $\Phi_e = 0.5\ \text{mW}$	I_P	100 ... 1000	μA

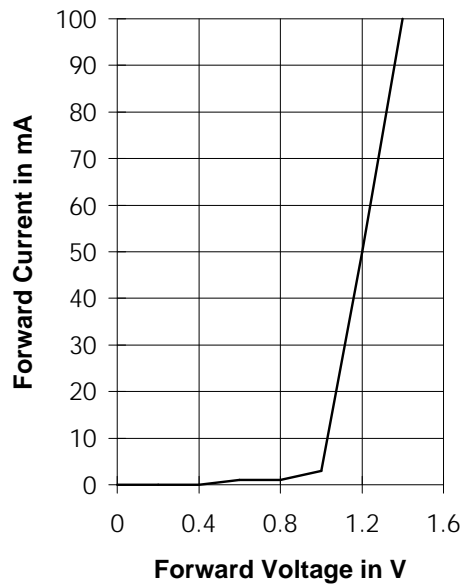
Laser Diode
Radiant Power in Singlemode Fiber



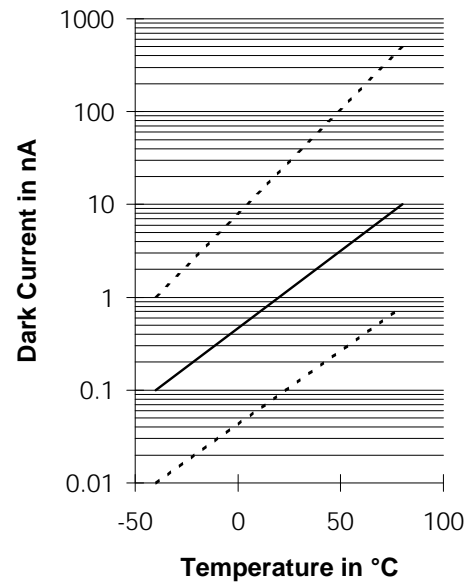
Relative Radiant Power
 $\Phi_e = f(\lambda)$



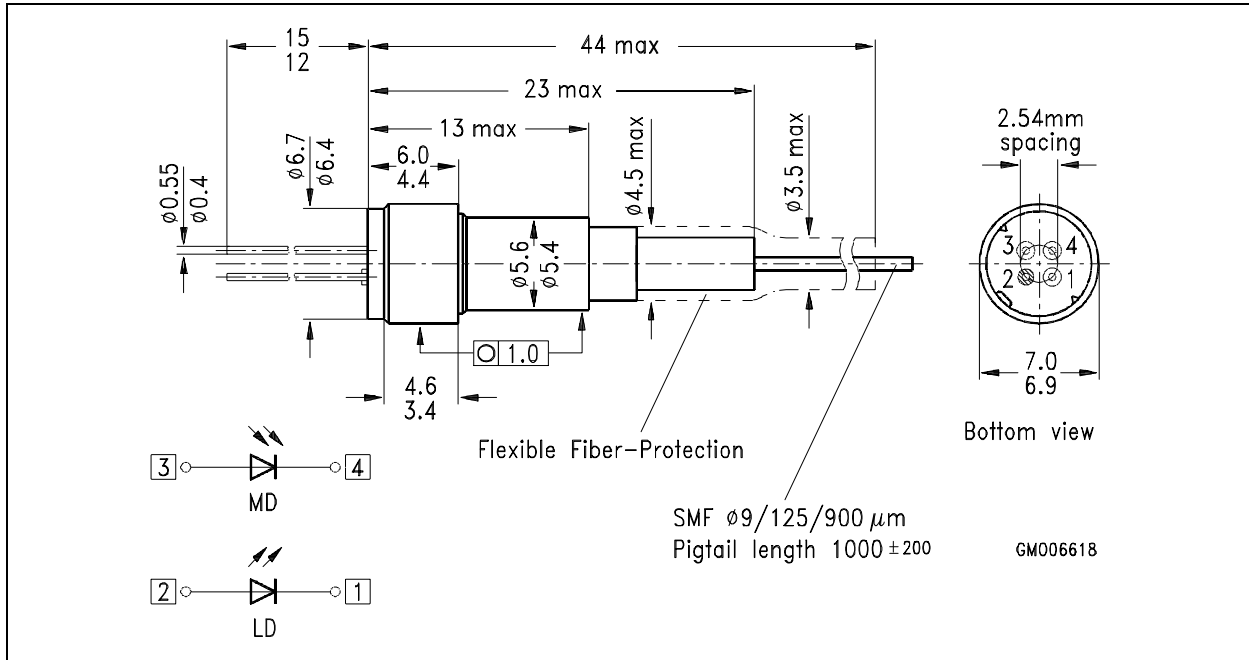
Laser Forward Current
 $I_F = f(V_F)$



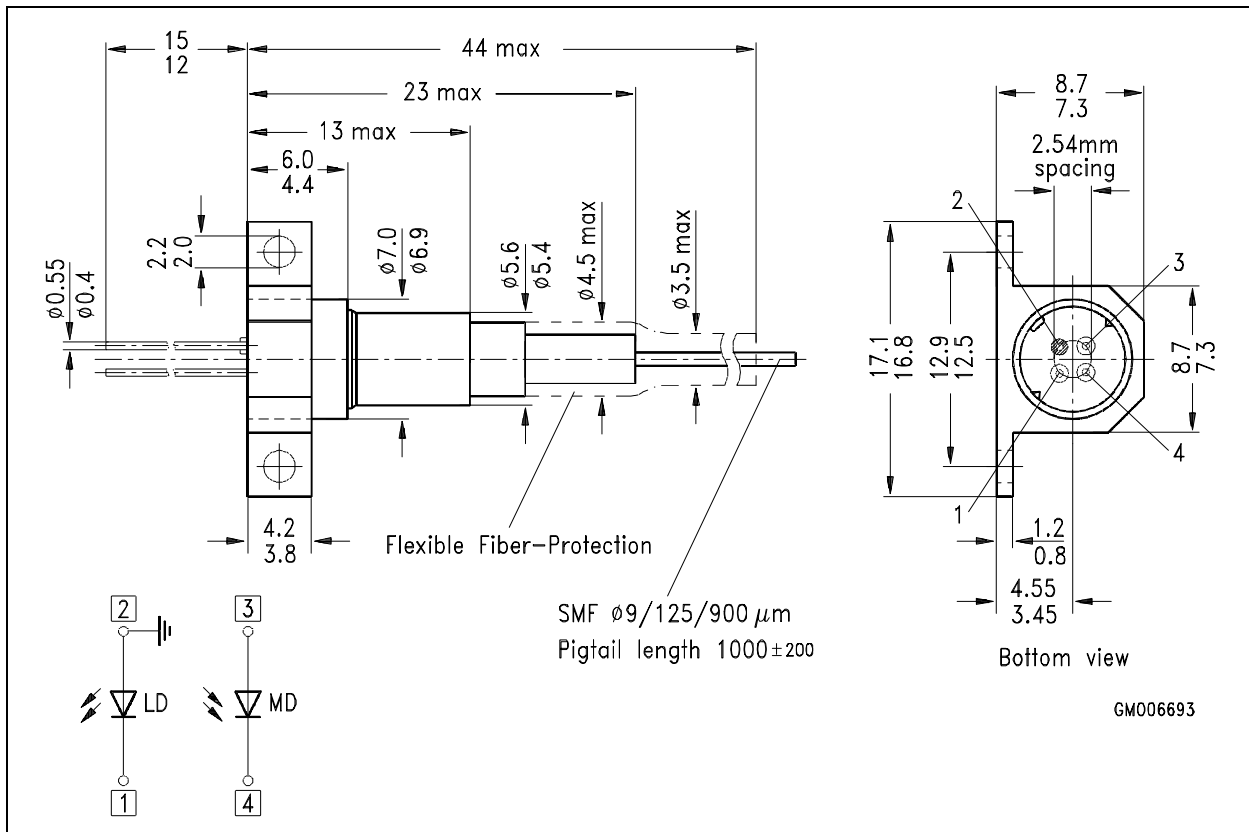
Monitor Diode Dark Current $I_R = f(T_A)$
 $\Phi_{port} = 0, V_R = 5 V$



Package Outlines (Dimensions in mm)



STM 51004X



STM 51005X (with flange)