

ICPL2730
ICPL2731



**HIGH SPEED DUAL CHANNEL
OPTICALLY COUPLED ISOLATOR
PHOTODARLINGTON OUTPUT**

APPROVALS

- UL recognised, File No. E91231

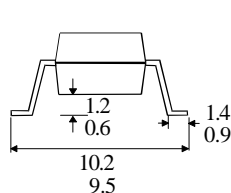
DESCRIPTION

These dual channel diode-darlington optocouplers use a pair of light emitting diodes and an integrated high gain photon detectors to provide 2500Volts_{RMS} electrical isolation between input and output. Separate connection for the photodiode bias and output darlington collector improve the speed up to a hundred times that of a conventional photo-darlington coupler by reducing the base-collector capacitance.

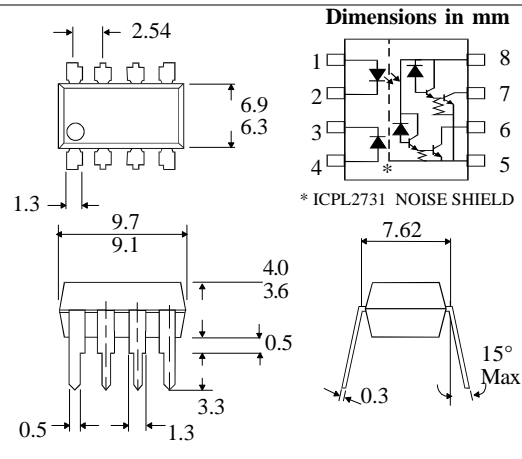
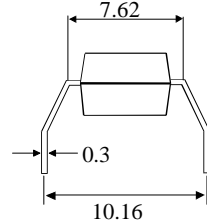
FEATURES

- High speed - DC to 200kBits/s operation
 - High Common Mode Transient Immunity 10kV/μs typical
 - TTL Compatible - 0.1V V_{OL} typical
 - Low Input Current Requirement - 0.5mA
 - High Current Transfer Ratio - 2000% typ.
 - Open Collector Output
 - 2500V_{RMS} Withstand Test Voltage, 1 min
 - ICPL2731 has improved noise shield which gives superior common mode rejection
 - Options :-
10mm lead spread - add G after part no.
Surface mount - add SM after part no.
Tape&reel - add SMT&R after part no.
 - All electrical parameters 100% tested
 - Custom electrical selections available
- APPLICATIONS**
- Line receivers
 - Digital logic ground isolation
 - Telephone ring detector
 - Current loop receiver

**OPTION SM
SURFACE MOUNT**



OPTION G



**ABSOLUTE MAXIMUM RATINGS
(25°C unless otherwise specified)**

Storage Temperature _____ -55°C to + 125°C
Operating Temperature _____ -40°C to + 85°C
Lead Soldering Temperature
(1/16 inch (1.6mm) from case for 10 secs) 260°C

INPUT DIODE

Average Forward Current _____ 20mA (1)
Peak Forward Current _____ 40mA
(50% duty cycle, 1ms pulse width)
Reverse Voltage _____ 5V
Power Dissipation _____ 35mW(2)

DETECTOR

Output Current _____ 60mA (3)
Supply and Output Voltage
ICPL2730 _____ -0.5 to +7V
ICPL2731 _____ -0.5 to +18V
Power Dissipation _____ 100mW (4)

ISOCOM COMPONENTS LTD

Unit 25B, Park View Road West,
Park View Industrial Estate, Brenda Road
Hartlepool, Cleveland, TS25 1YD
Tel: (01429) 863609 Fax :(01429) 863581

ISOCOM INC

1024 S. Greenville Ave, Suite 240,
Allen, TX 75002 USA
Tel: (214)495-0755 Fax: (214)495-0901
e-mail info@isocom.com
http://www.isocom.com

ELECTRICAL CHARACTERISTICS ($T_A = 0^\circ\text{C}$ to 70°C , $V_{CC} = 4.5\text{V}$ Unless otherwise noted)

PARAMETER	SYM	DEVICE	MIN	TYP*	MAX	UNITS	TEST CONDITION
Current Transfer Ratio (note 5, 6)	CTR	ICPL2731	400	2000		%	$I_F = 0.5\text{mA}, V_O = 0.4\text{V}$
		ICPL2731	500	2000		%	$I_F = 1.6\text{mA}, V_O = 0.4\text{V}$
		ICPL2730	300	2000		%	$I_F = 1.6\text{mA}, V_O = 0.4\text{V}$
Logic Low Output Voltage (note 5)	V_{OL}	ICPL2731		0.1	0.4	V	$I_F = 0.5\text{mA}, I_O = 2\text{mA}$
		ICPL2731		0.1	0.4	V	$I_F = 1.6\text{mA}, I_O = 8\text{mA}$
		ICPL2731		0.1	0.4	V	$I_F = 5\text{mA}, I_O = 15\text{mA}$
		ICPL2731		0.1	0.4	V	$I_F = 12\text{mA}, I_O = 24\text{mA}$
		ICPL2730		0.1	0.4	V	$I_F = 1.6\text{mA}, I_O = 4.8\text{mA}$
Logic High Output Current (note 5)	I_{OH}	ICPL2731		0.01	100	μA	$I_F = 0\text{mA}$ $V_O = V_{CC} = 18\text{V}$
		ICPL2730		0.01	100	μA	$I_F = 0\text{mA}$ $V_O = V_{CC} = 7\text{V}$
Logic Low Supply Current	I_{CCL}	ICPL2731		0.5		mA	$I_{F1} = I_{F2} = 1.6\text{mA}, V_{CC} = 18\text{V}$ $V_{O1} = V_{O2} = \text{open}$
		ICPL2730		0.4		mA	$I_{F1} = I_{F2} = 1.6\text{mA}, V_{CC} = 7\text{V}$ $V_{O1} = V_{O2} = \text{open}$
Logic High Supply Current	I_{CCH}	ICPL2731		5		nA	$I_{F1} = I_{F2} = 0\text{mA}, V_{CC} = 18\text{V}$ $V_{O1} = V_{O2} = \text{open}$
		ICPL2730		4		nA	$I_{F1} = I_{F2} = 0\text{mA}, V_{CC} = 18\text{V}$ $V_{O1} = V_{O2} = \text{open}$
Input Forward Voltage (note 5)	V_F			1.45	1.7	V	$I_F = 1.6\text{mA}, T_A = 25^\circ\text{C}$
Temperature Coefficient of Forward Voltage (note 5)	$\frac{\Delta V_F}{\Delta T_A}$			-1.8		$\text{mV}/^\circ\text{C}$	$I_F = 1.6\text{mA}$
Input Reverse Voltage (note 5)	V_R		5			V	$I_R = 10\mu\text{A}, T_A = 25^\circ\text{C}$
Input Capacitance (note 5)	C_{IN}			60		pF	$f = 1\text{MHz}, V_F = 0$
Input-output Isolation Voltage (note 10)	V_{ISO}		2500	5000		V_{RMS}	R.H.equal to or less than 50%, $t = 1\text{min}$. $T_A = 25^\circ\text{C}$
Resistance (Input to Output) (note 10)	R_{LO}			10^{12}		Ω	$V_{LO} = 500\text{V dc}$
Capacitance (Input to Output) (note 10)	C_{LO}			0.6		pF	$f = 1\text{MHz}$
Input-Input Insulation (note 7)	I_{LI}			0.005		μA	R.H.equal to or less than 50%, $t = 5\text{sec}$. $V_{LI} = 500\text{DC}$
Resistance (Input to Input) (note7)	R_{LI}			10^{11}		Ω	$V_{LI} = 500\text{V dc}$
Capacitance (Input to Input) (note7)	C_{LI}			0.25		pF	$f = 1\text{MHz}$

* All typicals at $T_A = 25^\circ\text{C}$

SWITCHING SPECIFICATIONS AT $T_A = 25^\circ\text{C}$ ($V_{CC} = 5\text{V}$ Unless otherwise noted)

PARAMETER	SYM	DEVICE	MIN	TYP	MAX	UNITS	TEST CONDITION
Propagation Delay Time to Logic Low at Output (fig 1)(note 5)	t_{PHL}	ICPL2731 ICPL2730/1 ICPL2730/1		25 0.5 4.0	100 2 20	μs μs μs	$I_F = 0.5\text{mA}, R_L = 4.7\text{k}\Omega$ $I_F = 12\text{mA}, R_L = 270\Omega$ $I_F = 1.6\text{mA}, R_L = 2.2\text{k}\Omega$
Propagation Delay Time to Logic High at Output (fig 1)(note 5)	t_{PLH}	ICPL2731 ICPL2730/1 ICPL2730/1		20 4 12	60 10 35	μs μs μs	$I_F = 0.5\text{mA}, R_L = 4.7\text{k}\Omega$ $I_F = 12\text{mA}, R_L = 270\Omega$ $I_F = 1.6\text{mA}, R_L = 2.2\text{k}\Omega$
Common Mode Transient Immunity at Logic High Level Output (fig 2)(note 9)	CM_H		1000	10000		$\text{V}/\mu\text{s}$	$I_F = 0\text{mA}, V_{CM} = 10\text{V}_{PP}$ $R_L = 2.2\text{k}\Omega$
Common Mode Transient Immunity at Logic Low Level Output (fig 2)(note 8)	CM_L		-1000	-10000		$\text{V}/\mu\text{s}$	$I_F = 1.6\text{mA}, V_{CM} = 10\text{V}_{PP}$ $R_L = 2.2\text{k}\Omega$

NOTES:-

- Derate linearly above 70°C free air temperature at a rate of $0.5 \text{ mA}/^\circ\text{C}$.
- Derate linearly above 70°C free air temperature at a rate of $0.9 \text{ mW}/^\circ\text{C}$.
- Derate linearly above 70°C free air temperature at a rate of $0.6 \text{ mA}/^\circ\text{C}$.
- Derate linearly above 35°C free air temperature at a rate of $1.7 \text{ mW}/^\circ\text{C}$.
Output power = (Collector output) + (Supply output).
- Each channel.
- CURRENT TRANSFER RATIO is defined as the ratio of output collector current, I_O , to the forward LED input current, I_F times 100%.
- Measured between pins 1 and 2 shorted together, and pins 3 and 4 shorted together.
- Common mode transient immunity in Logic Low level is the maximum tolerable (negative) dV_{CM}/dt on the trailing edge of the common mode pulse signal, V_{CM} to assure that the output will remain in Logic low state (i.e. $V_O < 0.8\text{V}$). Measured in volts per microsecond ($\text{V}/\mu\text{s}$).
- Common mode transient immunity in Logic High level is the maximum tolerable (positive) dV_{CM}/dt on the leading edge of the common mode pulse V_{CM} to assure that the output will remain in a Logic High state (i.e. $V_O > 2.0\text{V}$). Measured in volts per microsecond ($\text{V}/\mu\text{s}$).
- Device considered a two-terminal device: pins 1,2,3, and 4 shorted together and pins 5,6,7 and 8 shorted together.

FIG.1 SWITCHING TEST CIRCUIT

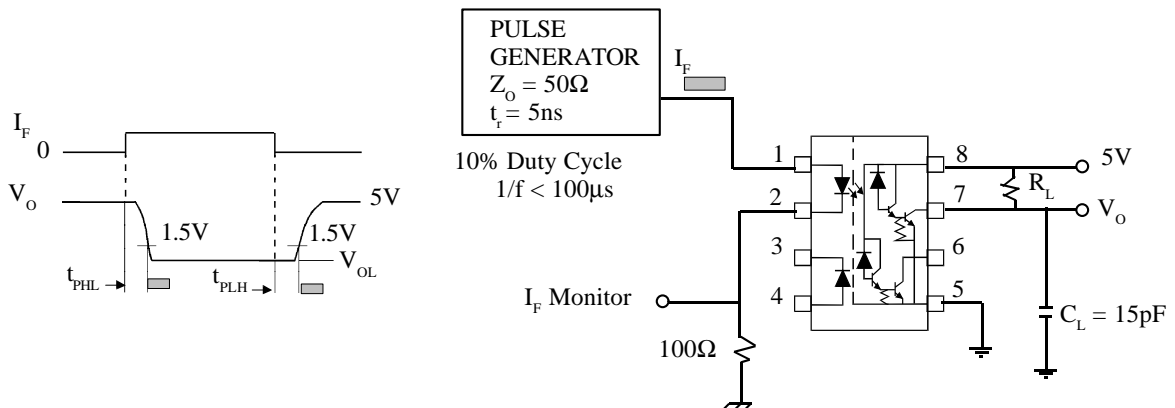


FIG. 2 TEST CIRCUIT FOR TRANSIENT IMMUNITY AND TYPICAL WAVEFORMS

