

ATTENUATORS

TYPE N

up to 4 GHz

200 Watts



MODELS: XN200W-XX, XN200W-XXF XN200W-XXM

SPECIFICATIONS:

Electrical:

Frequency Range _____ DC - 4.0 GHz
Standard Freq. Values _____ 1.5, 2.5, & 4 GHz
Standard dB Values* _____ 3, 6, 10, 20, 30 & 40 dB
Attenuation Accuracy DC - 1.5 GHz 1.5 - 2.5 GHz 2.5 - 4 GHz
3 - 6 dB _____ ±0.50 dB _____ ±0.50 dB _____ ±0.75 dB
10 - 40 dB _____ ±0.75 dB _____ ±1.0 dB _____ ±1.5 dB
VSWR (Max.) _____ 1.15:1 _____ 1.25:1 _____ 1.35:1
Input Power _____ 200 Watts Avg. @ +25°C
Derated Linearly to 40 Watts @ +125°C
Peak Power _____ 5 kW Max.
(5uSec Pulse, .05% Duty Cycle)
Impedance _____ 50 Ohms
Operating Temp Range _____ -54°C to +125°C

Mechanical:

Type N Connectors _____ Passivated Stainless Steel
Mates with MIL-STD-348
Conductors _____ Gold Plated Beryllium Copper
Housing _____ Anodized Aluminum

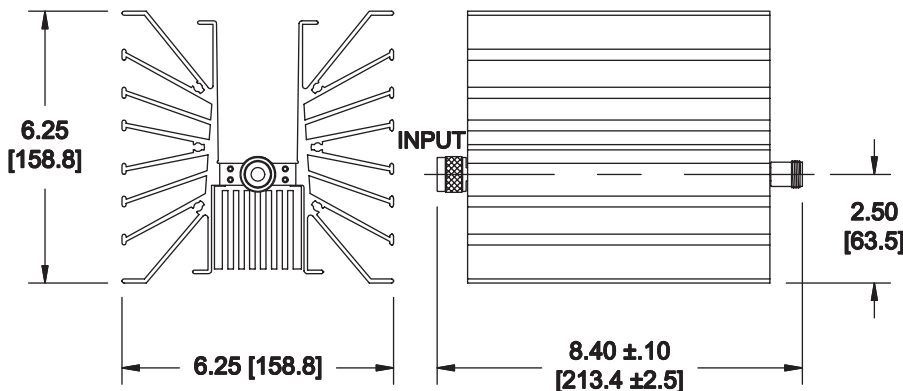
Units must be Positioned in such a way as to Allow for Free Air Flow Around fins to Assure Performance

Model Number: **XN200W-XX**
Male/Female Connectors
Length: 8.40 ±.10 [213.4 ±2.5]
Pictured

Model Number: **XN200W-XXF**
Female/Female Connectors
Length: 8.48 ±.10 [215.4 ±2.5]

Model Number: **XN200W-XXM**
Male/Male Connectors
Length: 8.31 ±.10 [211.1 ±2.5]

Note: Units are Unidirectional, Therefore Input Connector MUST be Specified & will be Indicated on Unit



HOW TO ORDER:

Model Number: **XN200W-XXY**

Freq. Range
1 = DC - 1.5 GHz
2 = DC - 2.5 GHz
4 = DC - 4 GHz

Connector Configuration
= Male/Female
F = Fem/Fem
M = Male/Male

dB Value

Ordering Examples:

Model Number: **1N200W-10**
DC - 1.5 GHz, 10 dB; Type N - Male/Fem

Model Number: **4N200W-40F**
DC - 4 GHz, 40 dB; Type N - Fem/Fem

Model Number: **2N200W-30M**
DC - 2.5 GHz, 30 dB; Type N - Male/Male

Note: Dimensions in Brackets are Expressed in Millimeters and are for Reference Only.

*Other dB values available

XN200W-ATT; REV B