



5Ω, Quad, SPST, CMOS Analog Switches

MAX4604/MAX4605/MAX4606

General Description

The MAX4604/MAX4605/MAX4606 quad analog switches feature 5Ω max on-resistance. On-resistance is matched between switches to 0.5Ω max and is flat (0.5Ω max) over the specified signal range. Each switch can handle Rail-to-Rail® analog signals. The off-leakage current is only 2.5nA max at +85°C. These analog switches are ideal in low-distortion applications and are the preferred solution over mechanical relays in automatic test equipment or in applications where current switching is required. These switches have low power requirements, require less board space, and are more reliable than mechanical relays.

The MAX4604 has four normally closed (NC) switches, the MAX4605 has four normally open (NO) switches, and the MAX4606 has two NC and two NO switches.

These switches operate from a single supply of +4.5V to +36V or from dual supplies of ±4.5V to ±20V. All digital inputs have +0.8V and +2.4V logic thresholds, ensuring TTL/CMOS logic compatibility when using ±15V supplies or a single +12V supply.

Applications

- | | |
|------------------------|----------------------|
| Reed Relay Replacement | PBX, PABX Systems |
| Test Equipment | Audio-Signal Routing |
| Communication Systems | Avionics |

Features

- ◆ Low On-Resistance (5Ω max)
- ◆ Guaranteed R_{ON} Match Between Channels (0.5Ω max)
- ◆ Guaranteed R_{ON} Flatness over Specified Signal Range (0.5Ω max)
- ◆ Rail-to-Rail Signal Handling
- ◆ Guaranteed ESD Protection > 2000V per Method 3015.7
- ◆ Single-Supply Operation: +4.5V to +36V
Dual-Supply Operation: ±4.5V to ±20V
- ◆ TTL/CMOS-Compatible Control Inputs

Ordering Information

PART	TEMP. RANGE	PIN-PACKAGE
MAX4604CSE	0°C to +70°C	16 Narrow SO
MAX4604CPE	0°C to +70°C	16 Plastic DIP
MAX4604ESE	-40°C to +85°C	16 Narrow SO
MAX4604EPE	-40°C to +85°C	16 Plastic DIP

Ordering Information continued at end of data sheet.

Pin Configurations/Functional Diagrams/Truth Tables

TOP VIEW

MAX4604	
LOGIC	SWITCH
0	ON
1	OFF

MAX4605	
LOGIC	SWITCH
0	OFF
1	ON

MAX4606		
LOGIC	SWITCHES 1, 4	SWITCHES 2, 3
0	OFF	ON
1	ON	OFF

SWITCHES SHOWN FOR LOGIC "0" INPUT

Rail-to-Rail is a registered trademark of Nippon Motorola, Ltd.



Maxim Integrated Products 1

For free samples & the latest literature: <http://www.maxim-ic.com>, or phone 1-800-998-8800.
For small orders, phone 1-800-835-8769.

5Ω, Quad, SPST, CMOS Analog Switches

ABSOLUTE MAXIMUM RATINGS

V+ to GND	-0.3V to +44V
V- to GND	+0.3V to -44V
V+ to V-	-0.3V to +44V
V _L to GND	(DGND - 0.3V) to (V+ + 0.3V)
All Other Pins to DGND (Note 1)	(V- - 0.3V) to (V+ + 0.3V)
Continuous Current (COM ₋ , NO ₋ , NC ₋)	±100mA
Peak Current (COM ₋ , NO ₋ , NC ₋) (pulsed at 1ms, 10% duty cycle)	±300mA

Continuous Power Dissipation (T _A = +70°C)	
16-pin Narrow SO (derate 8.70mW/°C above +70°C)	696mW
16-pin Plastic DIP (derate 10.53mW/°C above +70°C) ..	842mW
Operating Temperature Ranges	
MAX460_C_E	0°C to +70°C
MAX460_E_E	-40°C to +85°C
Storage Temperature Range	-65°C to +160°C
Lead Temperature (soldering, 10sec)	+300°C

Note 1: Signals on NC₋, NO₋, COM₋, or IN₋ exceeding V+ or V- are clamped by internal diodes. Limit forward-diode current to maximum current rating.

Stresses beyond those listed under "Absolute Maximum Ratings" may cause permanent damage to the device. These are stress ratings only, and functional operation of the device at these or any other conditions beyond those indicated in the operational sections of the specifications is not implied. Exposure to absolute maximum rating conditions for extended periods may affect device reliability.

ELECTRICAL CHARACTERISTICS—Dual Supplies

(V+ = +15V, V- = -15V, V_L = 5V, V_{IN_H} = 2.4V, V_{IN_L} = 0.8V, T_A = T_{MIN} to T_{MAX}, unless otherwise noted. Typical values are at T_A = +25°C.)

PARAMETER	SYMBOL	CONDITIONS	MIN	TYP (Note 2)	MAX	UNITS
ANALOG SWITCH						
Input Voltage Range (Note 3)	V _{COM₋} , V _{NO₋} , V _{NC₋}		V-		V+	V
COM ₋ to NO ₋ or NC ₋ On-Resistance	R _{ON}	I _{COM₋} = 10mA, V _{NO₋} or V _{NC₋} = ±10V		3	4	Ω
			T _A = +25°C			
			T _A = T _{MIN} to T _{MAX}		5	
COM ₋ to NO ₋ or NC ₋ On-Resistance Match Between Channels (Note 4)	ΔR _{ON}	I _{COM₋} = 10mA, V _{NO₋} or V _{NC₋} = ±10V		0.2	0.5	Ω
			T _A = +25°C			
			T _A = T _{MIN} to T _{MAX}		0.7	
COM ₋ to NO ₋ or NC ₋ On-Resistance Flatness (Note 5)	R _{FLAT(ON)}	I _{COM₋} = 10mA; V _{NO₋} or V _{NC₋} = -5V, 0, 5V		0.2	0.5	Ω
			T _A = +25°C			
			T _A = T _{MIN} to T _{MAX}		0.6	
Off-Leakage Current (NO ₋ or NC ₋) (Note 6)	I _{NO₋} , I _{NC₋}	V _{COM₋} = ±10V, V _{NO₋} or V _{NC₋} = ∓10V		-0.5	0.01	nA
			T _A = +25°C		0.5	
			T _A = T _{MIN} to T _{MAX}	-2.5	2.5	
COM Off-Leakage Current (Note 6)	I _{COM(OFF)}	V _{COM₋} = ±10V, V _{NO₋} or V _{NC₋} = ∓10V		-0.5	0.01	nA
			T _A = +25°C		0.5	
			T _A = T _{MIN} to T _{MAX}	-2.5	2.5	
COM On-Leakage Current (Note 6)	I _{COM(ON)}	V _{COM₋} = ±10V, V _{NO₋} or V _{NC₋} = ±10V or floating		-1	0.02	nA
			T _A = +25°C		1	
			T _A = T _{MIN} to T _{MAX}	-5	5	
LOGIC INPUT						
Input Current with Input Voltage High	I _{IN_H}	IN ₋ = 2.4V, all others = 0.8V	-0.500	0.001	0.500	μA
Input Current with Input Voltage Low	I _{IN_L}	IN ₋ = 0.8V, all others = 2.4V	-0.500	0.001	0.500	μA
Logic Input High Voltage	V _{IN_H}		2.4	1.7		V
Logic Input Low Voltage	V _{IN_L}			1.7	0.8	V

5Ω, Quad, SPST, CMOS Analog Switches

MAX4604/MAX4605/MAX4606

ELECTRICAL CHARACTERISTICS—Dual Supplies (continued)

(V+ = +15V, V- = -15V, VL = 5V, VIN_H = 2.4V, VIN_L = 0.8V, TA = TMIN to TMAX, unless otherwise noted. Typical values are TA = +25°C.)

PARAMETER	SYMBOL	CONDITIONS		MIN	TYP	MAX	UNITS
POWER SUPPLY							
Power-Supply Range				±4.5		±20.0	V
Positive Supply Current	I+	All channels on or off, VIN = 0 or 5V	TA = +25°C	-0.5	0.001	0.5	μA
			TA = TMIN to TMAX	5		5	
Negative Supply Current	I-	All channels on or off, VIN = 0 or 5V	TA = +25°C	-0.5	0.001	0.5	μA
			TA = TMIN to TMAX	5		5	
Logic Supply Current	IL	All channels on or off, VIN = 0 or 5V	TA = +25°C	-0.5	0.001	0.5	μA
			TA = TMIN to TMAX	5		5	
Ground Current	IGND	All channels on or off, VIN = 0 or 5V	TA = +25°C	-0.5	0.001	0.5	μA
			TA = TMIN to TMAX	5		5	
SWITCH DYNAMIC CHARACTERISTICS							
Turn-On Time	tON	Figure 2, VCOM_ = ±10V	TA = +25°C		120		ns
Turn-Off Time	tOFF	Figure 2, VCOM_ = ±10V	TA = +25°C		130		ns
Charge Injection	Q	CL = 1.0nF, VGEN = 0, RGEN = 0, Figure 3, TA = +25°C			225		pC
Off-Isolation (Note 7)	VISO	RL = 50Ω, CL = 5pF, f = 1MHz, Figure 4, TA = +25°C			-62		dB
Crosstalk (Note 8)	VCT	RL = 50Ω, CL = 5pF, f = 1MHz, Figure 5, TA = +25°C			-60		dB
NC or NO Capacitance	C(OFF)	f = 1MHz, Figure 6, TA = +25°C			34		pF
COM Off-Capacitance	C(COM)	f = 1MHz, Figure 6, TA = +25°C			34		pF
On-Capacitance	C(COM)	f = 1MHz, Figure 7, TA = +25°C			150		pF

5Ω, Quad, SPST, CMOS Analog Switches

ELECTRICAL CHARACTERISTICS—Single Supply

(V+ = +12V, V- = 0, VL = 5V, VIN_H = 2.4V, VIN_L = 0.8V, TA = TMIN to TMAX, unless otherwise noted. Typical values are at TA = +25°C.)

PARAMETER	SYMBOL	CONDITIONS		MIN	TYP (Note 2)	MAX	UNITS
ANALOG SWITCH							
Input Voltage Range (Note 3)	VCOM_, VNO_, VNC_			GND		V+	V
COM_ to NO_ or NC_ On-Resistance	RON	I _{COM_} = 10mA, V _{NO_} or V _{NC_} = 10V	TA = +25°C		5.5	8	Ω
			TA = TMIN to TMAX			10	
COM_ to NO_ or NC_ On-Resistance Match Between Channels (Note 4)	ΔRON	I _{COM_} = 10mA, V _{NO_} or V _{NC_} = 10V	TA = +25°C		0.05	0.5	Ω
			TA = TMIN to TMAX			0.7	
COM_ to NO_ or NC_ On-Resistance Flatness (Note 5)	R _{FLAT(ON)}	I _{COM_} = 10mA; V _{NO_} or V _{NC_} = 3V, 6V, 9V	TA = +25°C		0.25	0.6	Ω
			TA = TMIN to TMAX			0.8	
Off-Leakage Current (NO_ or NC_) (Notes 6, 9)	I _{NO_} , I _{NC_}	V _{COM_} = 1V, 10V; V _{NO_} or V _{NC_} = 10V, 1V	TA = +25°C	-0.5	0.01	0.5	nA
			TA = TMIN to TMAX	-2.5		2.5	
COM_ Off-Leakage Current (Notes 6, 9)	I _{COM_(OFF)}	V _{COM_} = 1V, 10V; V _{NO_} or V _{NC_} = 10V	TA = +25°C	-0.5	0.01	0.5	nA
			TA = TMIN to TMAX	-2.5		2.5	
COM_ On-Leakage Current (Notes 6, 9)	I _{COM_(ON)}	V _{COM_} = 1V, 10V; V _{NO_} or V _{NC_} = 1V, 10V or floating	TA = +25°C	-1	0.02	1	nA
			TA = TMIN to TMAX	-5		5	
LOGIC INPUT							
Input Current with Input Voltage High	I _{IN_H}	IN_ = 2.4V, all others = 0.8V		0.500	0.001	0.500	μA
Input Current with Input Voltage Low	I _{IN_L}	IN_ = 0.8V, all others = 2.4V		-0.500	0.001	0.500	μA
Logic Input High Voltage	V _{IN_H}			2.4	1.7		V
Logic Input Low Voltage	V _{IN_L}				1.7	0.8	V
POWER SUPPLY							
Power-Supply Range				4.5		36.0	V
Positive Supply Current	I+	All channels on or off, VIN = 0 or 5V	TA = +25°C	-0.5	0.001	0.5	μA
			TA = TMIN to TMAX	5		5	
Logic Supply Current	I _L	All channels on or off, VIN = 0 or 5V	TA = +25°C	-0.5	0.001	0.5	μA
			TA = TMIN to TMAX	5		5	
Ground Current	I _{GND}	VIN = 0 or 5V	TA = +25°C	-0.5	0.001	0.5	μA
			TA = TMIN to TMAX	5		5	

5Ω, Quad, SPST, CMOS Analog Switches

MAX4604/MAX4605/MAX4606

ELECTRICAL CHARACTERISTICS—Single Supply (continued)

(V+ = +12V, V- = 0, VL = 5V, VIN_H = 2.4V, VIN_L = 0.8V, TA = TMIN to TMAX, unless otherwise noted. Typical values are at TA = +25°C.)

PARAMETER	SYMBOL	CONDITIONS	MIN	TYP (Note 2)	MAX	UNITS
SWITCH DYNAMIC CHARACTERISTICS						
Turn-On Time	tON	Figure 2, VCOM_ = 10V, V+ = 12V		160	220	ns
Turn-Off Time	tOFF	Figure 2, VCOM_ = 10V, V+ = 12V		120	160	ns
Charge Injection	Q	CL = 1.0nF, VGEN = 0, RGEN = 0, Figure 3, V+ = 12V, V- = 0, TA = +25°C		10		pC
Crosstalk (Note 8)	VCT	RL = 50Ω, CL = 5pF, f = 1MHz, Figure 5, TA = +25°C		-60		dB
NC_ or NO_ Capacitance	C(OFF)	f = 1MHz, Figure 6, TA = +25°C		52		pF
COM_Off-Capacitance	C(COM)	f = 1MHz, Figure 6, TA = +25°C		52		pF
On-Capacitance	C(COM)	f = 1MHz, Figure 7, TA = +25°C		100		pF

Note 2: The algebraic convention, where the most negative value is a minimum and the most positive value a maximum, is used in this data sheet.

Note 3: Guaranteed by design.

Note 4: $\Delta R_{ON} = R_{ON(MAX)} - R_{ON(MIN)}$.

Note 5: Flatness is defined as the difference between the maximum and minimum value of on-resistance as measured over the specified analog signal range.

Note 6: Leakage parameters are 100% tested at maximum-rated hot temperature and guaranteed by correlation at +25°C.

Note 7: Off-isolation = $20\log_{10} [V_{COM_} / (V_{NC_} \text{ or } V_{NO_})]$, VCOM_ = output, VNC_ or VNO_ = input to off switch.

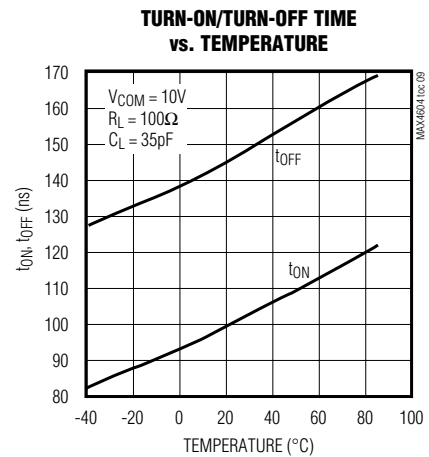
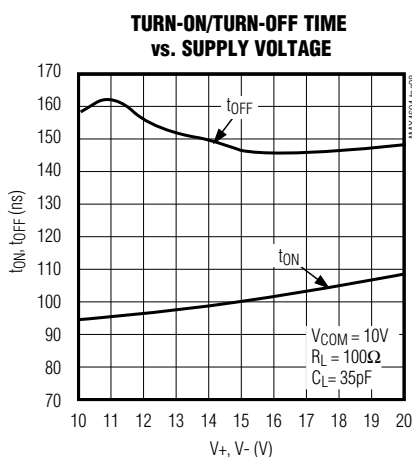
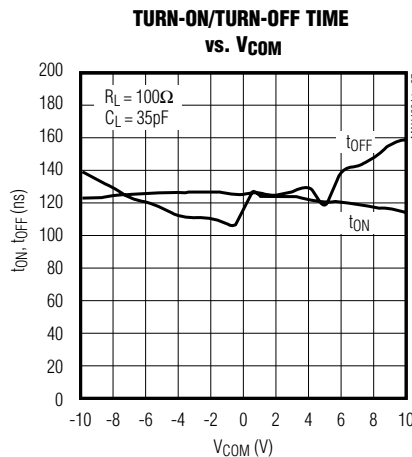
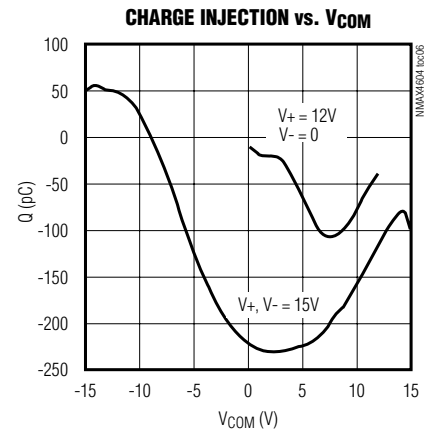
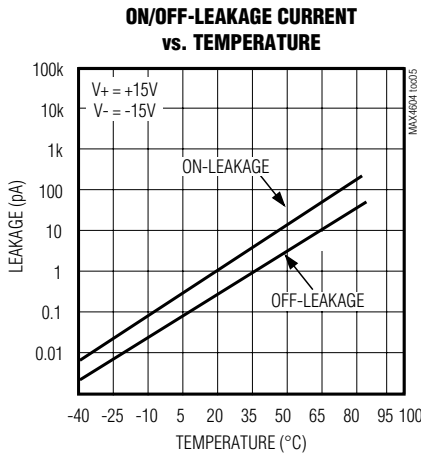
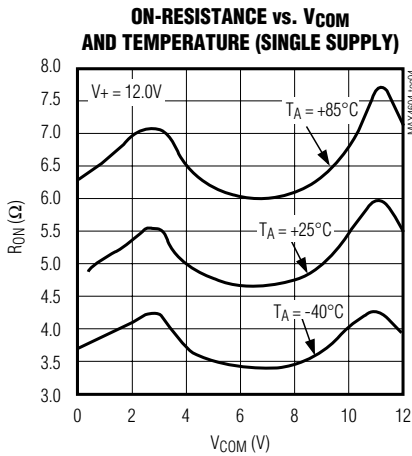
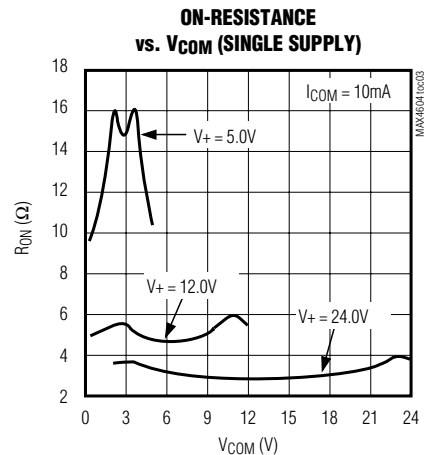
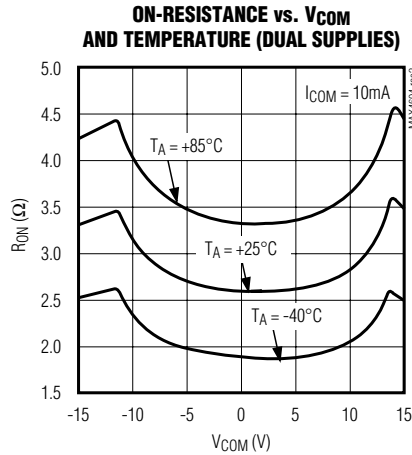
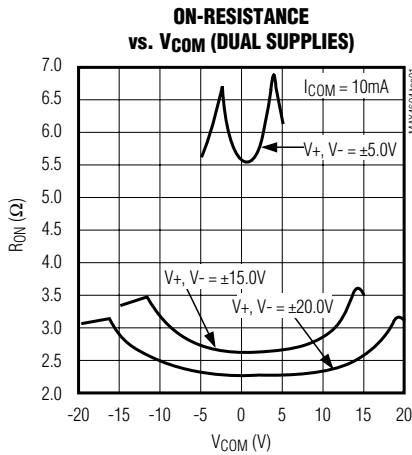
Note 8: Between any two switches.

Note 9: Leakage testing at single supply is guaranteed by testing with dual supplies.

5Ω, Quad, SPST, CMOS Analog Switches

Typical Operating Characteristics

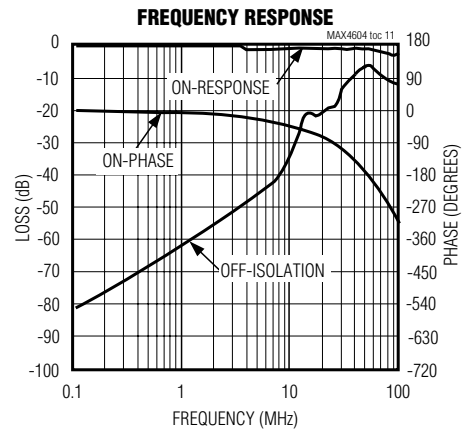
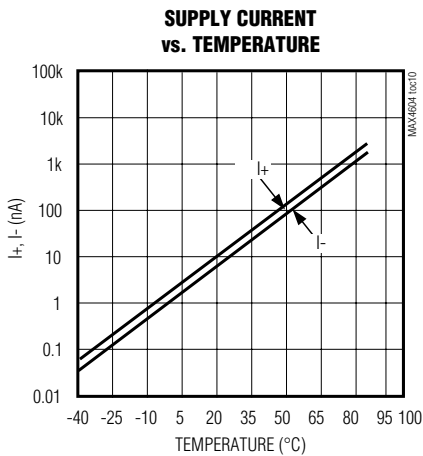
($T_A = +25^\circ\text{C}$, unless otherwise noted.)



5Ω, Quad, SPST, CMOS Analog Switches

Typical Operating Characteristics (continued)

(T_A = +25°C, unless otherwise noted.)



MAX4604/MAX4605/MAX4606

Pin Description

PIN			NAME	FUNCTION
MAX4604	MAX4605	MAX4606		
1, 16, 9, 8	1, 16, 9, 8	1, 16, 9, 8	IN1, IN2, IN3, IN4	Logic-Control Digital Inputs
2, 15, 10, 7	2, 15, 10, 7	2, 15, 10, 7	COM1, COM2, COM3, COM4	Analog Switch, Common Terminals
3,14, 11, 6	–	–	NC1, NC2, NC3, NC4	Analog Switch, Normally Closed Terminals
–	3,14, 11, 6	–	NO1, NO2, NO3, NO4	Analog Switch, Normally Open Terminals
–	–	3, 6	NO1, NO4	Analog Switch, Normally Open Terminal
–	–	14, 11	NC2, NC3	Analog Switch, Normally Closed Terminal
4	4	4	V-	Negative Analog Supply-Voltage Input. Connect to GND for single-supply operation.
5	5	5	GND	Ground
12	12	12	V _L	Logic-Supply Input
13	13	13	V+	Positive Analog Supply Input

5Ω, Quad, SPST, CMOS Analog Switches

Applications Information

Overvoltage Protection

Proper power-supply sequencing is recommended for all CMOS devices. Do not exceed the absolute maximum ratings, because stresses beyond the listed ratings can cause permanent damage to the devices. Always sequence V+ on first, then V-, followed by the logic inputs, NO, or COM. If power-supply sequencing is not possible, add two small signal diodes (D1, D2) in series with supply pins for overvoltage protection (Figure 1). Adding diodes reduces the analog signal range to one diode drop below V+ and one diode drop above V-, but does not affect the devices' low switch resistance and low leakage characteristics. Device operation is unchanged, and the difference between V+ and V- should not exceed 44V. These protection diodes are not recommended when using a single supply.

Off-Isolation at High Frequencies

In 50Ω systems, the high-frequency on-response of these parts extends from DC to above 100MHz with a typical loss of -2dB. When the switch is turned off, however, it behaves like a capacitor, and off isolation decreases with increasing frequency. (Above 300MHz, the switch actually passes more signal turned off than turned on.) This effect is more pronounced with higher source and load impedances.

Above 5MHz, circuit board layout becomes critical, and it becomes difficult to characterize the response of the

switch independent of the circuit. The graphs shown in the *Typical Operating Characteristics* were taken using a 50Ω source and load connected with BNC connectors to a circuit board deemed "average;" that is, designed with isolation in mind, but not using strip-line or other special RF circuit techniques. For critical applications above 5MHz, use the MAX440, MAX441, and MAX442, which are fully characterized up to 160MHz.

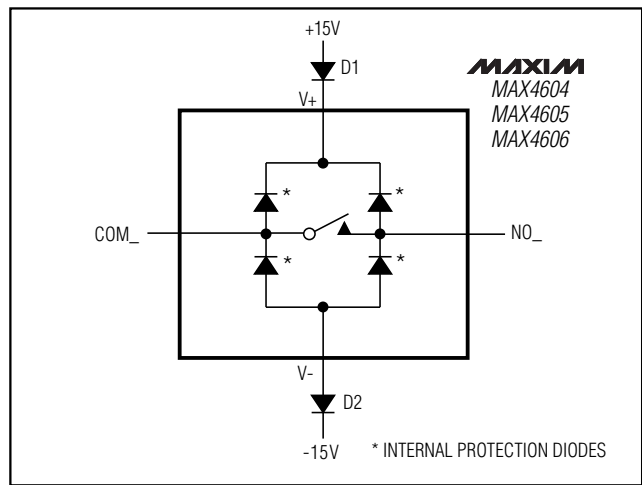


Figure 1. Overvoltage Protection Using External Blocking Diodes

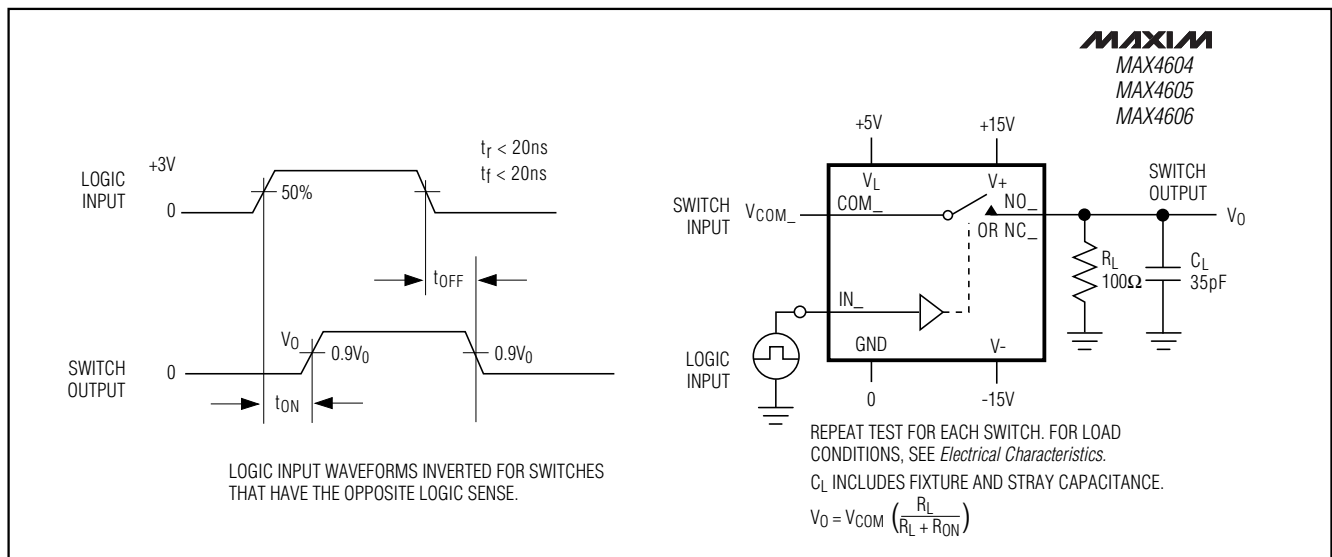


Figure 2. Switching-Time Test Circuit

5Ω, Quad, SPST, CMOS Analog Switches

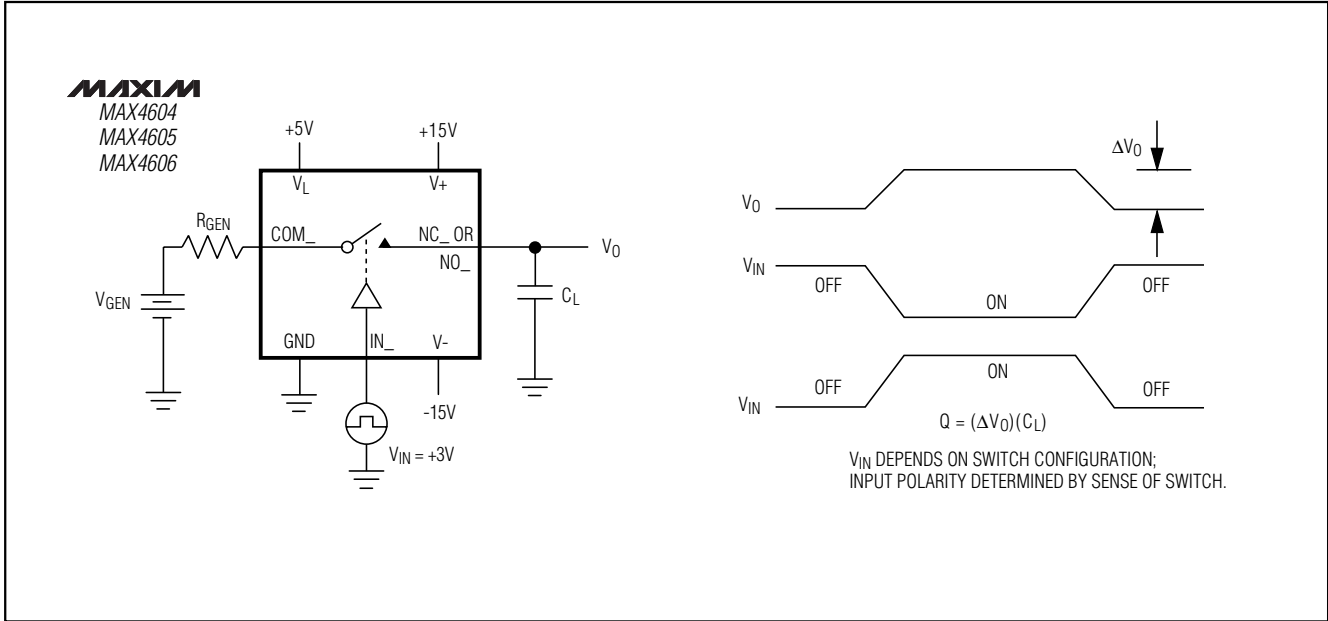


Figure 3. Charge-Injection Test Circuit

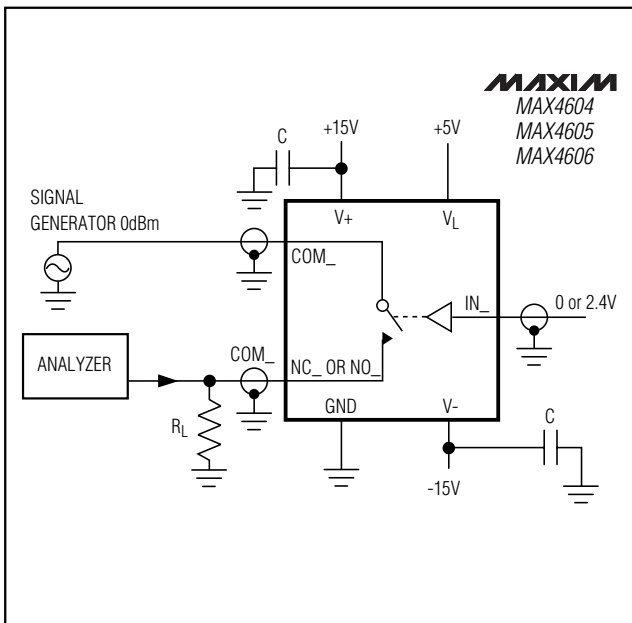


Figure 4. Off-Isolation Test Circuit

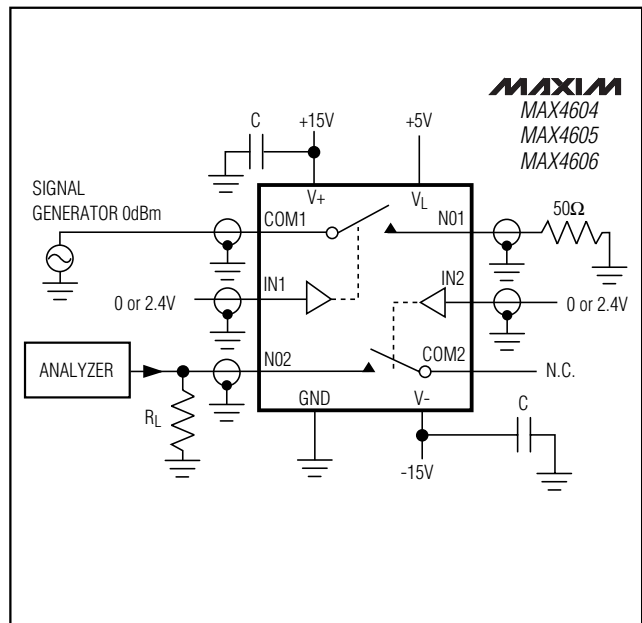


Figure 5. Crosstalk Test Circuit

5Ω, Quad, SPST, CMOS Analog Switches

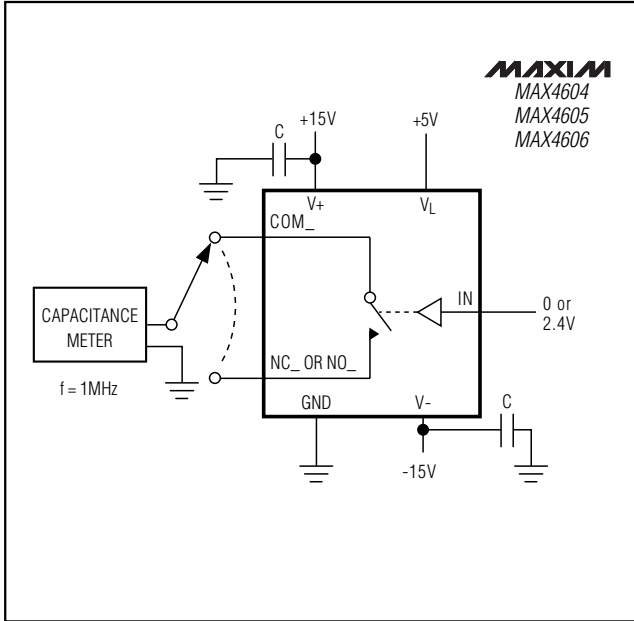


Figure 6. Switch Off-Capacitance Test Circuit

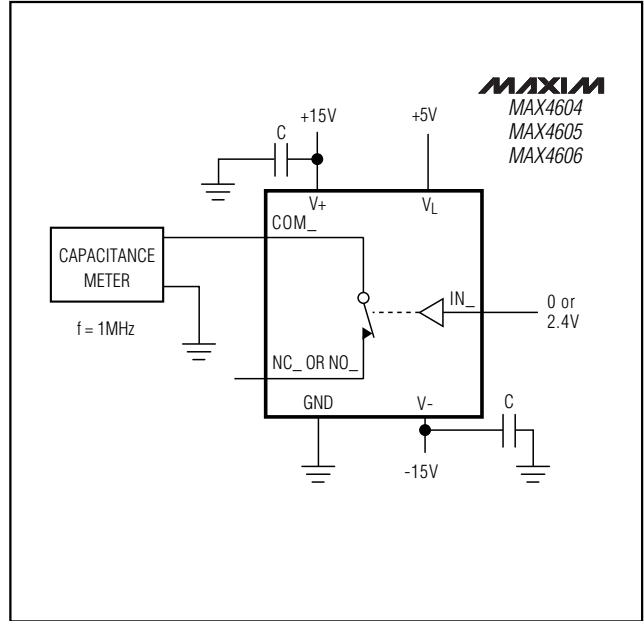


Figure 7. Switch On-Capacitance Test Circuit

5Ω, Quad, SPST, CMOS Analog Switches

Ordering Information (continued)

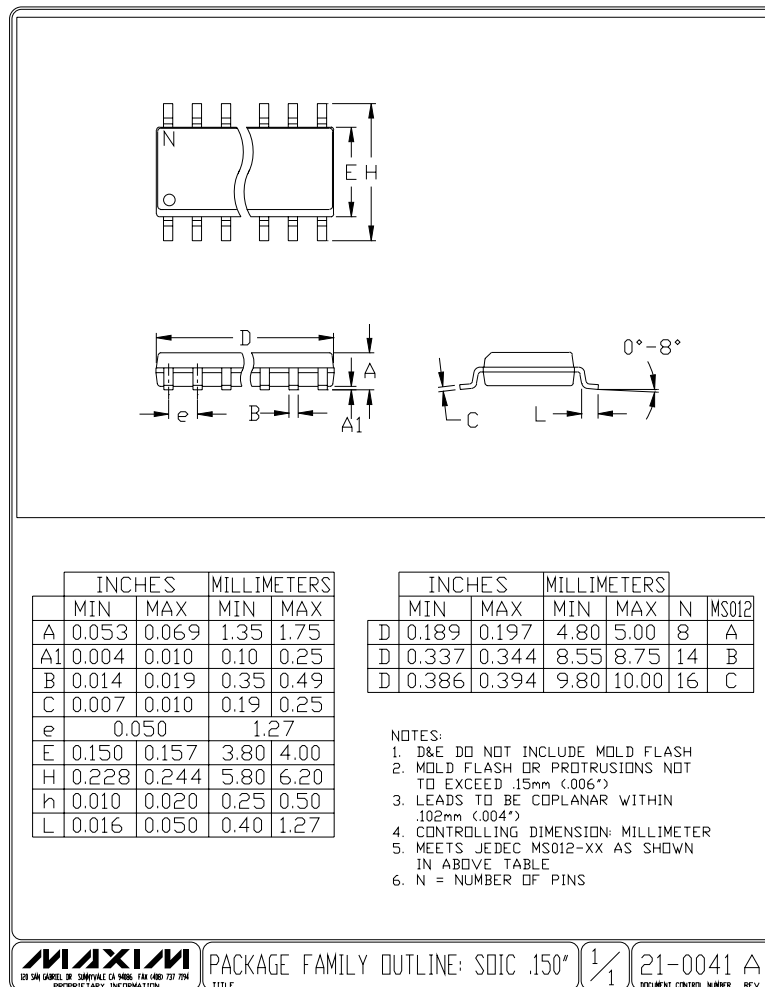
PART	TEMP. RANGE	PIN-PACKAGE
MAX4605CSE	0°C to +70°C	16 Narrow SO
MAX4605CPE	0°C to +70°C	16 Plastic DIP
MAX4605ESE	-40°C to +85°C	16 Narrow SO
MAX4605EPE	-40°C to +85°C	16 Plastic DIP
MAX4606CSE	0°C to +70°C	16 Narrow SO
MAX4606CPE	0°C to +70°C	16 Plastic DIP
MAX4606ESE	-40°C to +85°C	16 Narrow SO
MAX4606EPE	-40°C to +85°C	16 Plastic DIP

Chip Information

TRANSISTOR COUNT: 100

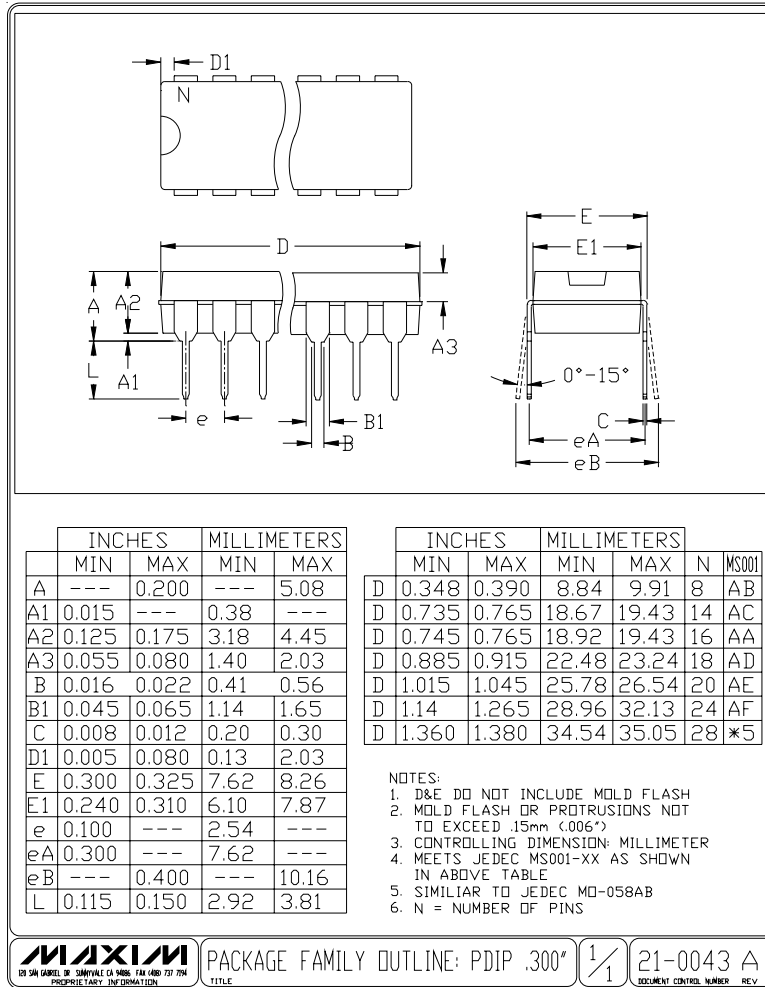
MAX4604/MAX4605/MAX4606

Package Information



5Ω, Quad, SPST, CMOS Analog Switches

Package Information (continued)



Maxim cannot assume responsibility for use of any circuitry other than circuitry entirely embodied in a Maxim product. No circuit patent licenses are implied. Maxim reserves the right to change the circuitry and specifications without notice at any time.

12 **Maxim Integrated Products, 120 San Gabriel Drive, Sunnyvale, CA 94086 408-737-7600**