



# Triple and Quad, 2:1 Video Multiplexer-Amplifiers with Fixed and Settable Gain

## General Description

The MAX4023–MAX4026 family of voltage feedback multiplexer-amplifiers combine low-glitch switching and excellent video specifications with fixed or settable gain. The MAX4024/MAX4026 are triple and quad 2:1 multiplexers, respectively, with amplifiers that have a fixed gain of +2. The MAX4023/MAX4025 are triple and quad 2:1 multiplexers, respectively, with adjustable gain amplifiers optimized for unity-gain stability. All devices have 25ns channel switching time and low 10mVp-p switching transients, making them ideal for high-speed video-switching applications. These devices operate from a single +4.5V to +11V supply or from dual supplies of  $\pm 2.25\text{V}$  to  $\pm 5.5\text{V}$ , and feature an input common-mode voltage range that extends to the negative supply rail. A low-power disable mode places the output in a high-impedance state.

The MAX4023/MAX4025 have -3dB bandwidths of 260MHz and up to 330V/ $\mu\text{s}$  slew rates with a settable gain to equalize long cable runs. The MAX4024/MAX4026, with 200MHz -3dB bandwidths and 363V/ $\mu\text{s}$  slew rates, have a fixed gain of +2 for driving short back-terminated cables. The MAX4023/MAX4025 internal amplifiers maintain an open-loop output impedance of only  $18\Omega$  over the full output voltage range, and minimize the gain error and bandwidth changes under loads typical of most Rail-to-Rail® amplifiers. These devices are ideal for broadcast video applications with differential gain and phase errors of 0.07% and 0.07°, respectively.

## Applications

Set-Top Boxes  
In-Car Navigation/Entertainment  
Servers  
Security Systems  
Video Projectors  
Notebook Computers  
Broadcast Video  
Video Crosspoint Switching

Rail-to-Rail is a registered trademark of Nippon Motorola, Ltd.



Maxim Integrated Products 1

**For pricing, delivery, and ordering information, please contact Maxim/Dallas Direct! at 1-888-629-4642, or visit Maxim's website at [www.maxim-ic.com](http://www.maxim-ic.com).**

## Features

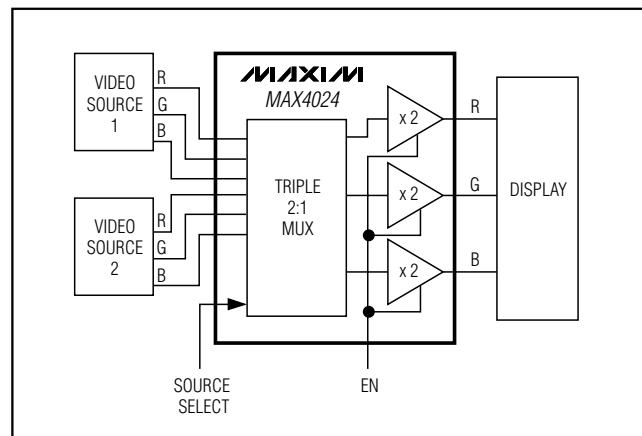
- ◆ Single +5V or Dual  $\pm 5\text{V}$  Operation
- ◆ 260MHz -3dB Bandwidth (MAX4023/MAX4025)
- ◆ 200MHz -3dB Bandwidth (MAX4024/MAX4026)
- ◆ 363V/ $\mu\text{s}$  Slew Rate (MAX4024/MAX4026)
- ◆ 25ns Channel Switching Time
- ◆ Ultra-Low 20mVp-p Switching Transient
- ◆ 0.012%/0.05° Differential Gain/Phase Error
- ◆ Input Common-Mode Range Includes Negative Rail (MAX4023/MAX4025)
- ◆ Low-Power Disable Mode
- ◆ Available in Space-Saving 14-Pin TSSOP and 16-Pin QSOP Packages

## Ordering Information

PART	TEMP RANGE	PIN-PACKAGE
MAX4023EEE	-40°C to +85°C	16 QSOP
MAX4023ESE	-40°C to +85°C	16 Narrow SO
MAX4024EUD	-40°C to +85°C	14 TSSOP
MAX4024ESD	-40°C to +85°C	14 Narrow SO
MAX4025EUP	-40°C to +85°C	20 TSSOP
MAX4025EWP	-40°C to +85°C	20 Wide SO
MAX4026EUP	-40°C to +85°C	20 TSSOP
MAX4026EWP	-40°C to +85°C	20 Wide SO

Selector Guide and Pin Configurations appear at end of data sheet.

## Typical Operating Circuit



MAX4023-MAX4026

# Triple and Quad, 2:1 Video Multiplexer-Amplifiers with Fixed and Settable Gain

## ABSOLUTE MAXIMUM RATINGS

Supply Voltage ( $V_{CC}$ to $V_{EE}$ )	.....12V	16-Pin QSOP (derate 8.3mW/°C above +70°C)	.....667mW
IN_A, IN_B, FB_	.....( $V_{EE} - 0.3V$ ) to ( $V_{CC} + 0.3V$ )	16-Pin Narrow SO (derate 8.7mW/°C above +70°C)	.....696mW
REF, EN, A/B	.....( $V_{EE} - 0.3V$ ) to ( $V_{CC} + 0.3V$ )	20-Pin TSSOP (derate 10.9mW/°C above +70°C)	.....879mW
Current Into IN_A, IN_B, FB_	..... $\pm 20mA$	20-Pin Wide SO (derate 10mW/°C above +70°C)	.....800mW
Short-Circuit Duration (OUT_ to GND or $V_{EE}$ )	.....Continuous	Operating Temperature Range	.....-40°C to +85°C
Short-Circuit Duration (OUT_ to $V_{CC}$ )	.....(Note 1)	Junction Temperature	.....+150°C
Continuous Power Dissipation ( $T_A = +70^\circ C$ )		Storage Temperature Range	.....-65°C to +150°C
14-Pin TSSOP (derate 9.1mW/°C above +70°C)	.....727mW	Lead Temperature (soldering, 10s)	.....+300°C
14-Pin Narrow SO (derate 8.3mW/°C above +70°C)	.....667mW		

**Note 1:** Do not short OUT\_ to  $V_{CC}$ .

Stresses beyond those listed under "Absolute Maximum Ratings" may cause permanent damage to the device. These are stress ratings only, and functional operation of the device at these or any other conditions beyond those indicated in the operational sections of the specifications is not implied. Exposure to absolute maximum rating conditions for extended periods may affect device reliability.

## DC ELECTRICAL CHARACTERISTICS—Dual Supply

( $V_{CC} = +5V$ ,  $V_{EE} = -5V$ ,  $R_L = \infty$ , EN = +5V,  $V_{CM} = REF = OUT_ = 0V$ ,  $T_A = T_{MIN}$  to  $T_{MAX}$ , unless otherwise noted. Typical values are at  $T_A = +25^\circ C$ .) (Note 2)

PARAMETER	SYMBOL	CONDITIONS	MIN	TYP	MAX	UNITS
Operating Supply Voltage Range	$V_S$	Guaranteed by PSRR	$\pm 2.25$		$\pm 5.5$	V
Quiescent Supply Current	$I_S$	OUT = 0V	MAX4023/MAX4024	25	36	mA
			MAX4025/MAX4026	34	48	
Disable Supply Current		EN = 0V	MAX4023/MAX4024	3.6	6	mA
			MAX4025/MAX4026	4.4	6	
Input Voltage Range	$V_{IN}$	MAX4023/MAX4025, inferred from CMRR	$V_{EE}$		$V_{CC} - 2.8$	V
		MAX4024/MAX4026, inferred from $A_{VCL}$	$V_{EE} + 2.9$		$V_{CC} - 2.8$	
Input Offset Voltage	$V_{OS}$	MAX4023/MAX4025		$\pm 0.5$	$\pm 15$	mV
		MAX4024/MAX4026		$\pm 1$	$\pm 18$	
Input Offset Voltage Matching	$\Delta V_{OS}$	MAX4023/MAX4025		$\pm 1$		mV
		MAX4024/MAX4026		$\pm 1.5$		
Input Offset Voltage Drift	$TC_{VOS}$	MAX4023/MAX4025		15		$\mu V/^\circ C$
		MAX4024/MAX4026		23		
Input Bias Current	$I_B$			4	14	$\mu A$
Input Offset Current	$I_{OS}$	MAX4023/MAX4025		$\pm 0.1$	$\pm 2$	$\mu A$
Differential Input Resistance	$R_{IND}$	MAX4023/MAX4025, $-10mV < V_{IND} < +10mV$		50		k $\Omega$
Input Resistance	$R_{IN}$	MAX4023/MAX4025, common mode		4.5		M $\Omega$
		MAX4024/MAX4026, single ended		4.5		
Output Resistance	$R_{OUT}$	MAX4023/MAX4025	Open loop	18		$\Omega$
			Closed loop, $A_{VCL} = +1$	0.025		
		MAX4024/MAX4026		0.15		

# Triple and Quad, 2:1 Video Multiplexer-Amplifiers with Fixed and Settable Gain

MAX4023-MAX4026

## DC ELECTRICAL CHARACTERISTICS—Dual Supply (continued)

( $V_{CC} = +5V$ ,  $V_{EE} = -5V$ ,  $R_L = \infty$ ,  $EN = +5V$ ,  $V_{CM} = REF = OUT_- = 0V$ ,  $T_A = T_{MIN}$  to  $T_{MAX}$ , unless otherwise noted. Typical values are at  $T_A = +25^\circ C$ .) (Note 2)

PARAMETER	SYMBOL	CONDITIONS	MIN	TYP	MAX	UNITS
Disable Output Resistance	$R_{OUT}$	MAX4023/MAX4025, $EN = 0V$		75		k $\Omega$
		MAX4024/MAX4026, $EN = 0V$		1		
Power-Supply Rejection Ratio	PSRR	$\pm 2.25V < V_S < \pm 5.5V$	50	64		dB
Common-Mode Rejection Ratio	CMRR	MAX4023/MAX4025, $V_{EE} < V_{CM} < V_{CC} - 2.8V$	50	68		dB
Open-Loop Gain	$A_{VOL}$	MAX4023/MAX4025, $R_L = 150\Omega$ , $-4.3V < V_{OUT} < +4.3V$	70	85		dB
Voltage Gain	$A_{VCL}$	MAX4024/MAX4026, $R_L = 150\Omega$ , $V_{EE} + 2.9V < V_{IN} < V_{CC} - 2.8V$	5.5	6.0	6.5	dB
Gain Matching	$\Delta A_{VCL}$	MAX4024/MAX4026		1		%
Output Voltage Swing	$V_{OUT}$	MAX4023/MAX4025	$R_L = 150\Omega$	$V_{CC} - 0.7$	$V_{CC} - 0.5$	V
				$V_{EE} + 0.5$	$V_{EE} + 0.7$	
			$R_L = 75\Omega$	$V_{CC} - 1.2$	$V_{CC} - 0.8$	
				$V_{EE} + 0.8$	$V_{EE} + 1.2$	
		MAX4024/MAX4026	$R_L = 150\Omega$	$V_{CC} - 0.7$	$V_{CC} - 0.5$	
				$V_{EE} + 0.3$	$V_{EE} + 0.7$	
			$R_L = 75\Omega$	$V_{CC} - 1.2$	$V_{CC} - 0.8$	
				$V_{EE} + 0.5$	$V_{EE} + 1.2$	
<b>LOGIC INPUT CHARACTERISTICS</b>						
Logic-Low Threshold	$V_{IL}$	EN, A/B			$V_{CC} - 3.85$	V
Logic-High Threshold	$V_{IH}$	EN, A/B	$V_{CC} - 3.3$			V
Logic-Low Input Current	$I_{IL}$	EN, A/B; EN or A/B = 0V		5	10	$\mu A$
Logic-High Input Current	$I_{IH}$	EN, A/B; EN or A/B = $V_{CC}$		2	8	$\mu A$

# Triple and Quad, 2:1 Video Multiplexer-Amplifiers with Fixed and Settable Gain

## DC ELECTRICAL CHARACTERISTICS—Single Supply

( $V_{CC} = +5V$ ,  $V_{EE} = 0V$ ,  $R_L = \infty$ ,  $EN = +5V$ ,  $V_{CM} = REF = OUT = 0.5V$ ,  $T_A = T_{MIN}$  to  $T_{MAX}$ , unless otherwise noted. Typical values are at  $T_A = +25^\circ C$ .) (Note 2)

PARAMETER	SYMBOL	CONDITIONS	MIN	TYP	MAX	UNITS
Operating Supply Voltage Range	$V_S$	Guaranteed by PSRR	4.5		11	V
Quiescent Supply Current	$I_S$	MAX4023/MAX4024, $OUT = 0V$		19	32	mA
		MAX4025/MAX4026, $OUT = 0V$		31	43	
Disable Supply Current		MAX4023/MAX4024, $EN = 0V$		3.3	6	mA
		MAX4025/MAX4026, $EN = 0V$		3.9	6	
Input Voltage Range	$V_{IN}$	MAX4023/MAX4025, inferred from CMRR	$V_{EE}$		$V_{CC} - 2.8$	V
		MAX4024/MAX4026, inferred from $A_{VCL}$	$V_{EE} + 0.28$		$V_{CC} - 2.8$	
Input Offset Voltage	$V_{OS}$	MAX4023/MAX4025		$\pm 1$	$\pm 18$	mV
		MAX4024/MAX4026		$\pm 3$	$\pm 20$	
Input Offset Voltage Matching	$\Delta V_{OS}$	MAX4023/MAX4025		$\pm 1$		mV
		MAX4024/MAX4026		$\pm 1.5$		
Input Offset Voltage Drift	$TC_{VOS}$	MAX4023/MAX4025		9		$\mu V/^\circ C$
		MAX4024/MAX4026		13		
Input Bias Current	$I_B$			4.5	14	$\mu A$
Input Offset Current	$I_{OS}$	MAX4023/MAX4025		$\pm 0.1$	$\pm 2$	$\mu A$
Differential Input Resistance	$R_{IND}$	MAX4023/MAX4025, $-10mV < V_{IND} < +10mV$		50		$k\Omega$
Input Resistance	$R_{IN}$	MAX4023/MAX4025, common mode		4.5		$M\Omega$
		MAX4024/MAX4026, single ended		4.5		
Output Resistance	$R_{OUT}$	MAX4023/MAX4025	Open loop		18	$\Omega$
			Closed loop, $A_{VCL} = +1$		0.025	
		MAX4024/MAX4026		0.15		
Disable Output Resistance	$R_{OUT}$	MAX4023/MAX4025, $EN = 0V$		75		$k\Omega$
		MAX4024/MAX4026, $EN = 0V$		1		
Power-Supply Rejection Ratio	PSRR	$\pm 4.5V < V_S < \pm 11V$	50	64		dB
Common-Mode Rejection Ratio	CMRR	MAX4023/MAX4025, $V_{EE} < V_{CM} < V_{CC} - 2.8V$	50	91		dB
Open-Loop Gain	$A_{VOL}$	MAX4023/MAX4025, $R_L = 150\Omega$ , $0.3V < V_{OUT} < 4.3V$	70	85		dB
Voltage Gain	$A_{VCL}$	MAX4024/MAX4026, $R_L = 150\Omega$ , $V_{EE} + 0.28V < V_{IN} < V_{CC} - 2.8V$	5.5	6.0	6.5	dB
Gain Matching	$\Delta A_{VCL}$	MAX4024/MAX4026		1		%

# Triple and Quad, 2:1 Video Multiplexer-Amplifiers with Fixed and Settable Gain

**MAX4023-MAX4026**

## DC ELECTRICAL CHARACTERISTICS—Single Supply (continued)

( $V_{CC} = +5V$ ,  $V_{EE} = 0V$ ,  $R_L = \infty$ ,  $EN = +5V$ ,  $V_{CM} = REF = OUT = 0.5V$ ,  $T_A = T_{MIN}$  to  $T_{MAX}$ , unless otherwise noted. Typical values are at  $T_A = +25^\circ C$ .) (Note 2)

PARAMETER	SYMBOL	CONDITIONS	MIN	TYP	MAX	UNITS
Output Voltage Swing	$V_{OUT}$	MAX4023/MAX4025	$R_L = 150\Omega$ to GND	$V_{CC} - 1.1$	$V_{CC} - 0.5$	V
				$V_{EE} + 0.03$	$V_{EE} + 0.175$	
			$R_L = 75\Omega$ to GND	$V_{CC} - 1.1$	$V_{CC} - 0.8$	
				$V_{EE} + 0.03$	$V_{EE} + 0.175$	
		MAX4024/MAX4026	$R_L = 150\Omega$ to GND	$V_{CC} - 1.1$	$V_{CC} - 0.5$	
				$V_{EE} + 0.03$	$V_{EE} + 0.09$	
			$R_L = 75\Omega$ to GND	$V_{CC} - 1.1$	$V_{CC} - 0.8$	
				$V_{EE} + 0.04$	$V_{EE} + 0.08$	
<b>LOGIC INPUT CHARACTERISTICS</b>						
Logic-Low Threshold	$V_{IL}$	EN, A/B			$V_{CC} - 3.85$	V
Logic-High Threshold	$V_{IH}$	EN, A/B	$V_{CC} - 3.3$			V
Logic-Low Input Current	$I_{IL}$	EN, A/B; EN or A/B = 0V		5	10	$\mu A$
Logic-High Input	$I_{IH}$	EN, A/B; EN or A/B = $V_{CC}$		2	8	$\mu A$

# Triple and Quad, 2:1 Video Multiplexer-Amplifiers with Fixed and Settable Gain

## AC ELECTRICAL CHARACTERISTICS—Dual Supply

( $V_{CC} = +5V$ ,  $V_{EE} = -5V$ ,  $R_{IN} = 75\Omega$  to GND,  $R_L = 150\Omega$  to GND,  $EN = +5V$ ,  $V_{CM} = 0V$ ,  $REF = 0V$ ,  $A_{VCL} = +1$  (MAX4023/MAX4025). Typical values are at  $T_A = +25^\circ C$ , unless otherwise noted.)

PARAMETER	SYMBOL	CONDITIONS		MIN	TYP	MAX	UNITS
Small-Signal -3dB Bandwidth	BW <sub>SS</sub>	$V_{OUT} = 100mV_{P-P}$	MAX4023/MAX4025	260			MHz
			MAX4024/MAX4026	200			
Large-Signal -3dB Bandwidth	BW <sub>LS</sub>	$V_{OUT} = 2V_{P-P}$	MAX4023/MAX4025	85			MHz
			MAX4024/MAX4026	110			
Small-Signal 0.1dB Gain-Flatness Bandwidth	BW <sub>0.1dBSS</sub>	$V_{OUT} = 100mV_{P-P}$	MAX4023/MAX4025	30			MHz
			MAX4024/MAX4026	32			
Large-Signal 0.1dB Gain-Flatness Bandwidth	BW <sub>0.1dBLS</sub>	$V_{OUT} = 2V_{P-P}$	MAX4023/MAX4025	22			MHz
			MAX4024/MAX4026	24			
Slew Rate	SR	$V_{OUT} = 2V_{P-P}$	MAX4023/MAX4025	300			V/ $\mu s$
			MAX4024/MAX4026	363			
Settling Time to 0.1%	t <sub>s</sub>	$V_{OUT} = 2V$ step	MAX4023/MAX4025	32			ns
			MAX4024/MAX4026	32			
Power-Supply Rejection Ratio	PSRR	f = 100kHz		60			dB
Output Impedance		f = 10MHz		1.5			$\Omega$
Differential Gain Error	DG	NTSC, PAL, $A_{VCL} = +2$	MAX4023/MAX4025	0.012			%
			MAX4024/MAX4026	0.015			
Differential Phase Error	DP	NTSC, PAL, $A_{VCL} = +2$	MAX4023/MAX4025	0.05			Degrees
			MAX4024/MAX4026	0.077			
Group Delay	D/dT	f = 3.58MHz or 4.43MHz, $A_{VCL} = +2$	MAX4023/MAX4025	1.6			ns
			MAX4024/MAX4026	1.8			
Peak Signal to RMS Noise	SNR	$V_{OUT} = 2V_{P-P}$ , 10MHz BW, $A_{VCL} = +2$	MAX4023/MAX4025	90			dB
			MAX4024/MAX4026	86			
Crosstalk		f = 10MHz		-61			dB
<b>SWITCHING CHARACTERISTICS</b>							
Channel Switching Time	t <sub>sw</sub>	MAX4023/MAX4025		25			ns
		MAX4024/MAX4026		25			
Enable Time	t <sub>ON</sub>	$V_{IN} = 0.5V$		60			ns
Disable Time	t <sub>OFF</sub>	$V_{IN} = 0.5V$		0.45			$\mu s$
Switching Transient		MAX4023/MAX4025		20			mV <sub>P-P</sub>
		MAX4024/MAX4026		20			

# Triple and Quad, 2:1 Video Multiplexer-Amplifiers with Fixed and Settable Gain

MAX4023-MAX4026

## AC ELECTRICAL CHARACTERISTICS—Single Supply

( $V_{CC} = +5V$ ,  $V_{EE} = 0V$ ,  $R_{IN} = 75\Omega$  to  $V_{CM}$ ,  $R_L = 150\Omega$  to GND,  $EN = +5V$ ,  $V_{CM} = 0.5V$ ,  $REF = V_{CM}$ ,  $A_{VCL} = +1$  (MAX4023/MAX4025). Typical values are at  $T_A = +25^\circ C$ , unless otherwise noted.)

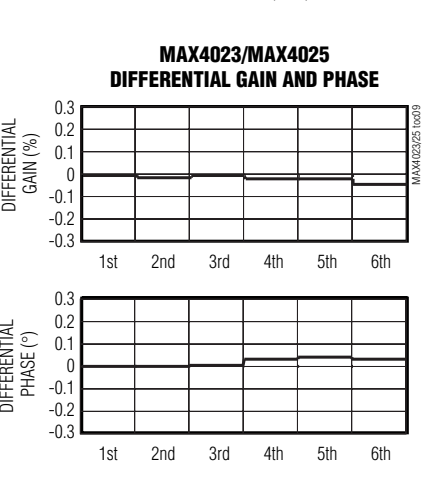
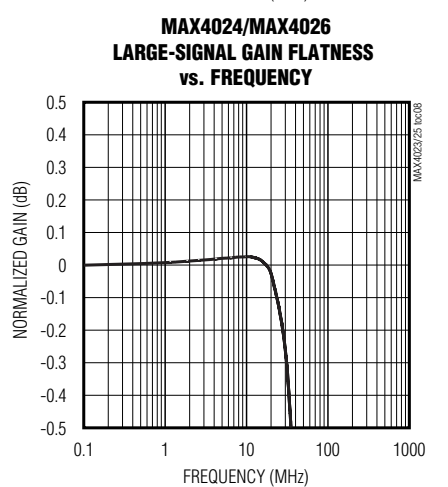
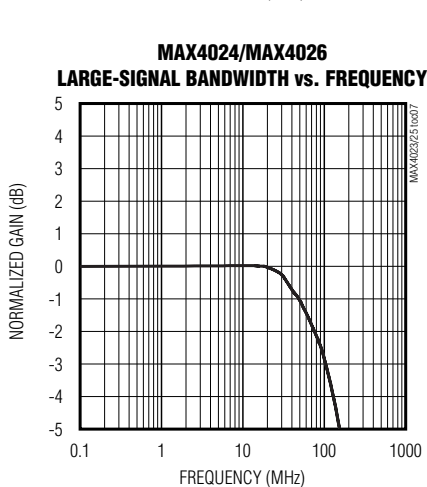
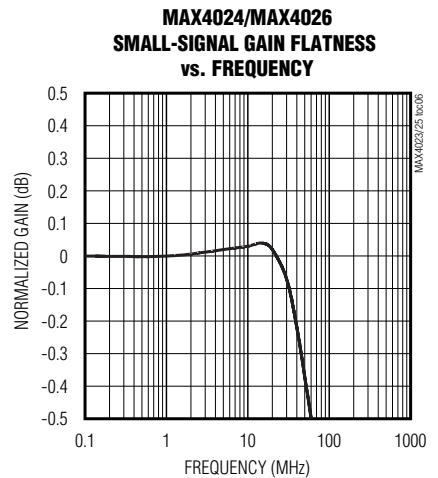
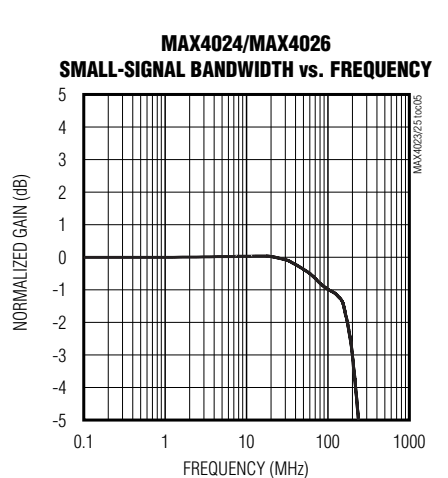
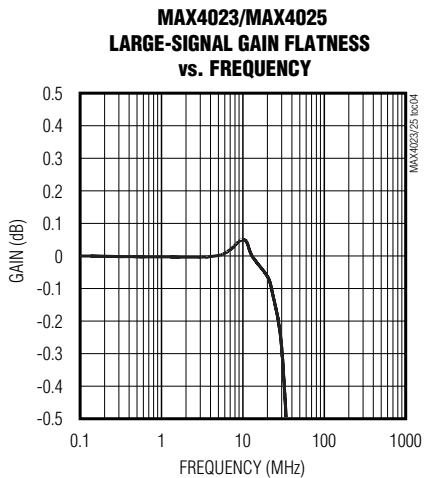
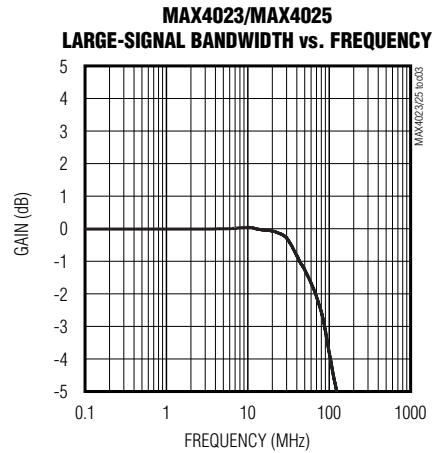
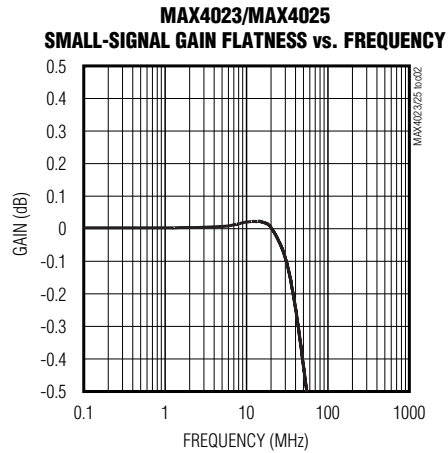
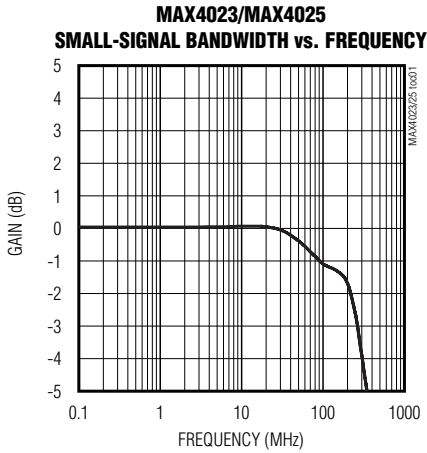
PARAMETER	SYMBOL	CONDITIONS		MIN	TYP	MAX	UNITS
Small-Signal -3dB Bandwidth	BW <sub>SS</sub>	$V_{OUT} = 100mV_{P-P}$	MAX4023/MAX4025	260			MHz
			MAX4024/MAX4026	200			
Large-Signal -3dB Bandwidth	BW <sub>LS</sub>	$V_{OUT} = 2V_{P-P}$	MAX4023/MAX4025	83			MHz
			MAX4024/MAX4026	110			
Small-Signal 0.1dB Gain-Flatness Bandwidth	BW <sub>0.1dBSS</sub>	$V_{OUT} = 100mV_{P-P}$	MAX4023/MAX4025	40			MHz
			MAX4024/MAX4026	44			
Large-Signal 0.1dB Gain-Flatness Bandwidth	BW <sub>0.1dBLS</sub>	$V_{OUT} = 2V_{P-P}$	MAX4023/MAX4025	22			MHz
			MAX4024/MAX4026	25			
Slew Rate	SR	$V_{OUT} = 2V_{P-P}$	MAX4023/MAX4025	300			V/ $\mu s$
			MAX4024/MAX4026	363			
Settling Time to 0.1%	$t_s$	$V_{OUT} = 2V$ step	MAX4023/MAX4025	32			ns
			MAX4024/MAX4026	32			
Power-Supply Rejection Ratio	PSRR	$f = 100kHz$		60			dB
Output Impedance		$f = 10MHz$		1.5			$\Omega$
Differential Gain Error	DG	NTSC, PAL, $A_{VCL} = +2$	MAX4023/MAX4025	0.016			%
			MAX4024/MAX4026	0.02			
Differential Phase Error	DP	NTSC, PAL, $A_{VCL} = +2$	MAX4023/MAX4025	0.054			Degrees
			MAX4024/MAX4026	0.085			
Group Delay	D/dT	$f = 3.58MHz$ or $4.43MHz$ , $A_{VCL} = +2$	MAX4023/MAX4025	1.6			ns
			MAX4024/MAX4026	1.9			
Peak Signal to RMS Noise	SNR	$V_{OUT} = 2V_{P-P}$ , 10MHz BW, $A_{VCL} = +2$	MAX4023/MAX4025	90			dB
			MAX4024/MAX4026	86			
Crosstalk		$f = 10MHz$		-61			dB
<b>SWITCHING CHARACTERISTICS</b>							
Channel Switching Time	$t_{sw}$	MAX4023/MAX4025		25			ns
		MAX4024/MAX4026		25			
Enable Time	$t_{ON}$	$V_{IN} = 0.5V$		90			ns
Disable Time	$t_{OFF}$	$V_{IN} = 0.5V$		0.45			$\mu s$
Switching Transient		MAX4023/MAX4025		10			mV <sub>P-P</sub>
		MAX4024/MAX4026		10			

**Note 2:** All devices are 100% production tested at  $T_A = +25^\circ C$ . Specifications over temperature are guaranteed by design.

# Triple and Quad, 2:1 Video Multiplexer-Amplifiers with Fixed and Settable Gain

## Typical Operating Characteristics—±5V Dual Supply

( $V_{CC} = +5V$ ,  $V_{EE} = -5V$ ,  $V_{CM} = REF = 0V$ ,  $EN = +5V$ ,  $R_{IN} = 75\Omega$  to GND,  $R_L = 150\Omega$  to GND,  $A_{VCL} = +1V/V$  (MAX4023/MAX4025),  $A_{VCL} = +2V/V$  (MAX4024/MAX4026),  $T_A = +25^\circ C$ , unless otherwise noted.)



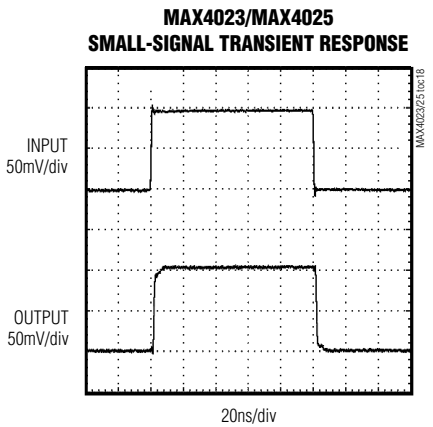
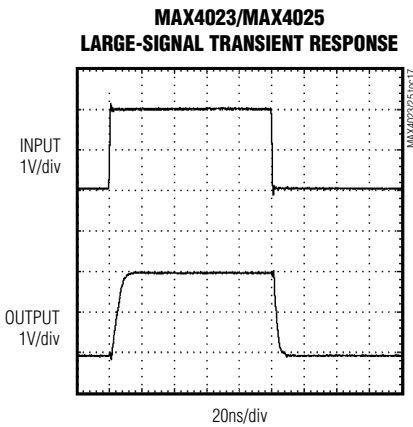
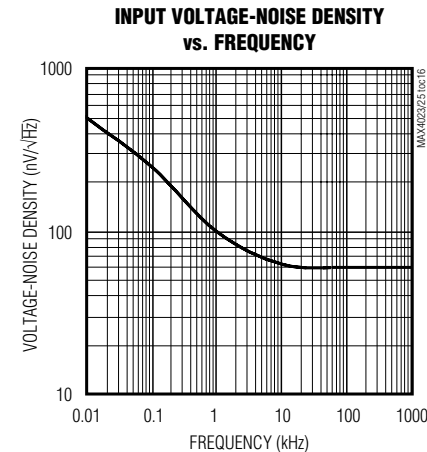
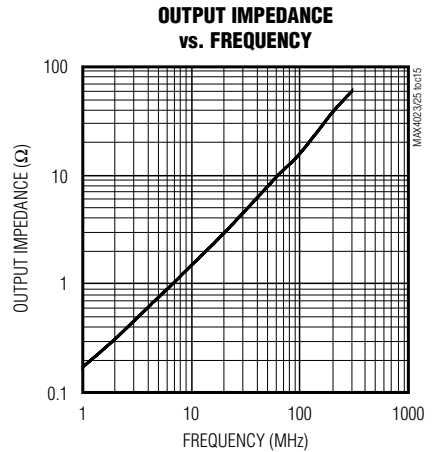
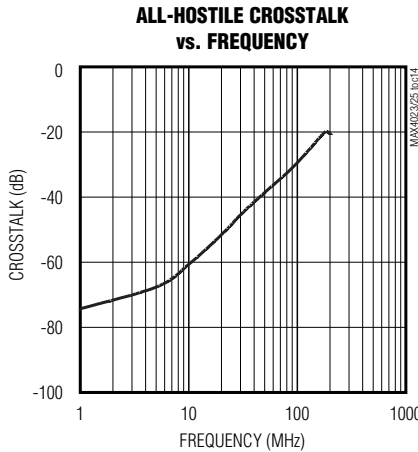
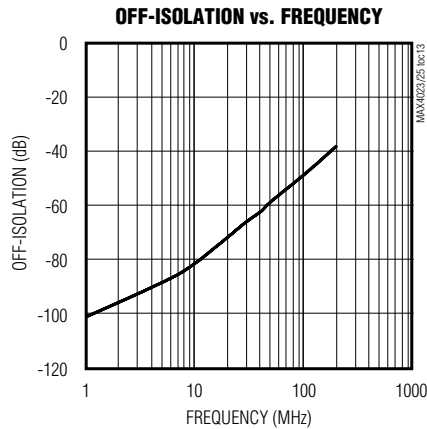
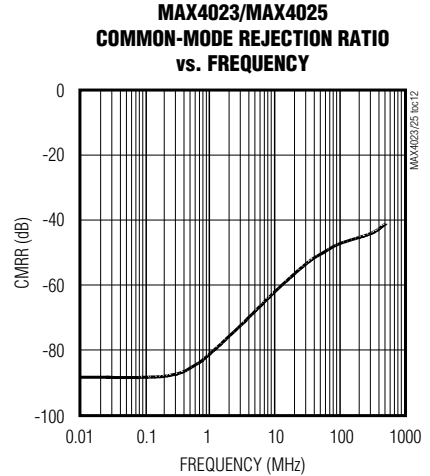
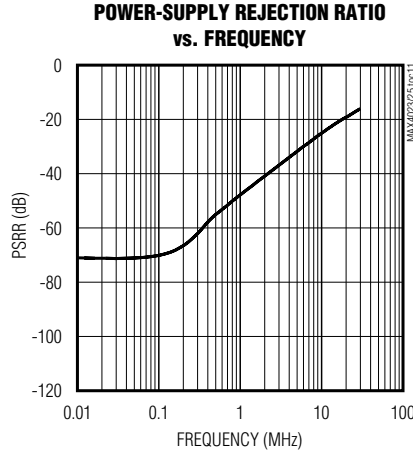
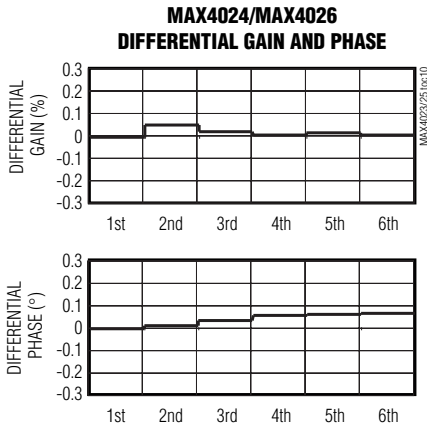


# Triple and Quad, 2:1 Video Multiplexer-Amplifiers with Fixed and Settable Gain

## Typical Operating Characteristics—±5V Dual Supply (continued)

( $V_{CC} = +5V$ ,  $V_{EE} = -5V$ ,  $V_{CM} = REF = 0V$ ,  $EN = +5V$ ,  $R_{IN} = 75\Omega$  to GND,  $R_L = 150\Omega$  to GND,  $A_{VCL} = +1V/V$  (MAX4023/MAX4025),  $A_{VCL} = +2V/V$  (MAX4024/MAX4026),  $T_A = +25^\circ C$ , unless otherwise noted.)

MAX4023-MAX4026

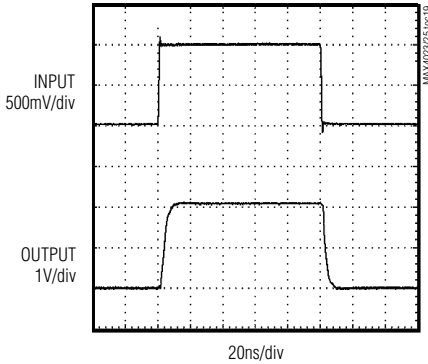


# Triple and Quad, 2:1 Video Multiplexer-Amplifiers with Fixed and Settable Gain

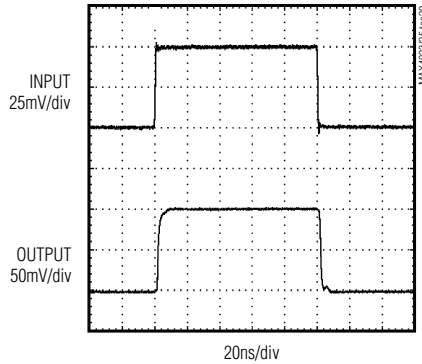
## Typical Operating Characteristics—±5V Dual Supply (continued)

( $V_{CC} = +5V$ ,  $V_{EE} = -5V$ ,  $V_{CM} = REF = 0V$ ,  $EN = +5V$ ,  $R_{IN} = 75\Omega$  to GND,  $R_L = 150\Omega$  to GND,  $A_{VCL} = +1V/V$  (MAX4023/MAX4025),  $A_{VCL} = +2V/V$  (MAX4024/MAX4026),  $T_A = +25^\circ C$ , unless otherwise noted.)

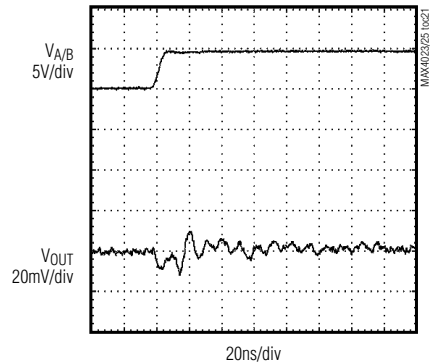
**MAX4024/MAX4026  
LARGE-SIGNAL TRANSIENT RESPONSE**



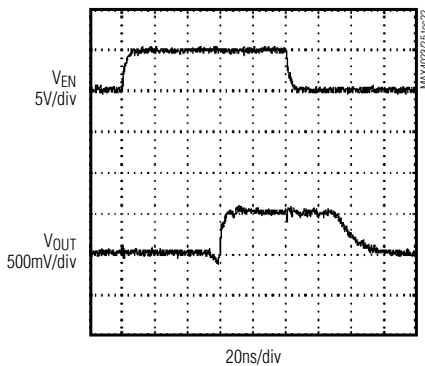
**MAX4024/MAX4026  
SMALL-SIGNAL TRANSIENT RESPONSE**



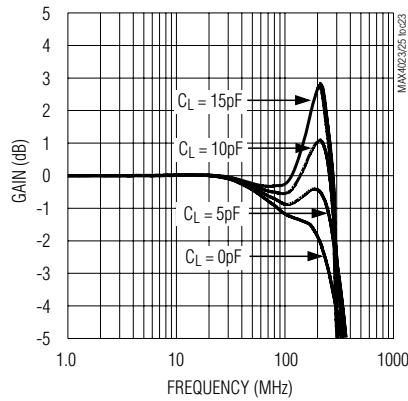
**CHANNEL SWITCHING TRANSIENT**



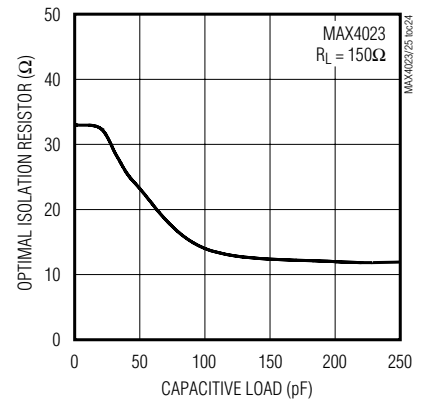
**ENABLE RESPONSE TIME**



**MAX4023/MAX4025  
SMALL-SIGNAL BANDWIDTH  
vs. FREQUENCY vs.  $C_L$**



**OPTIMAL ISOLATION RESISTOR  
vs. CAPACITIVE LOAD**

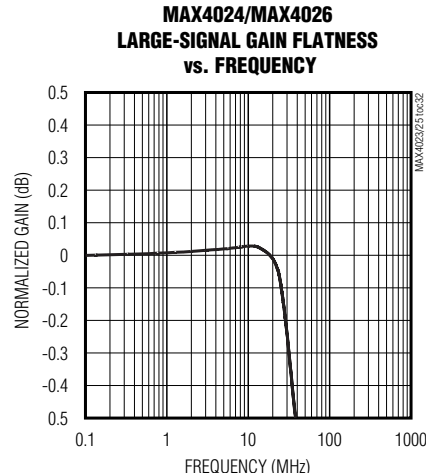
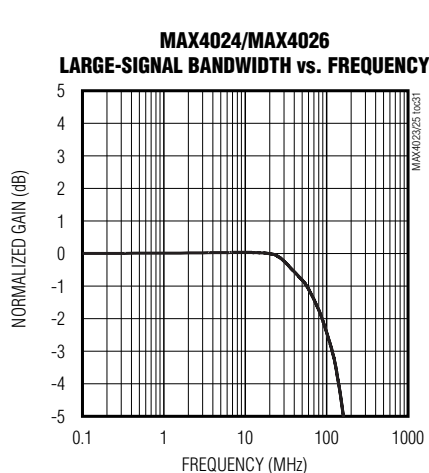
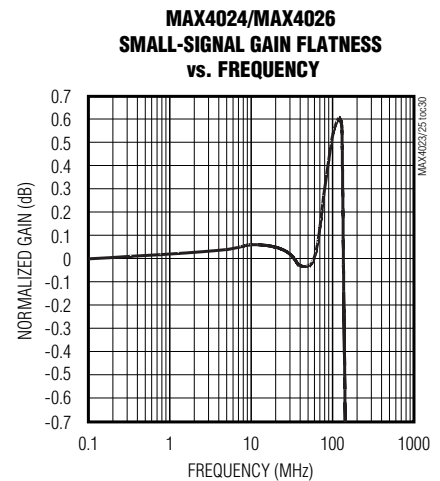
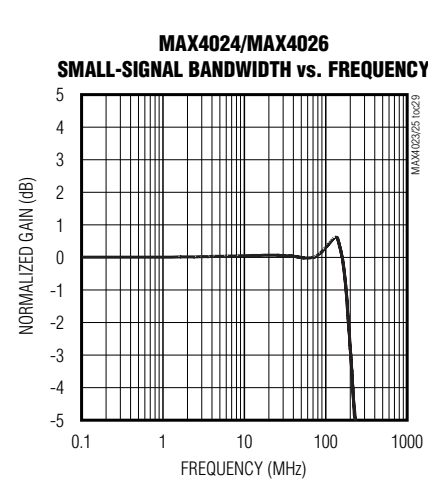
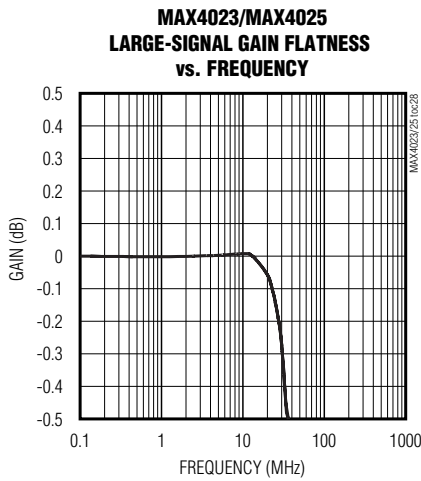
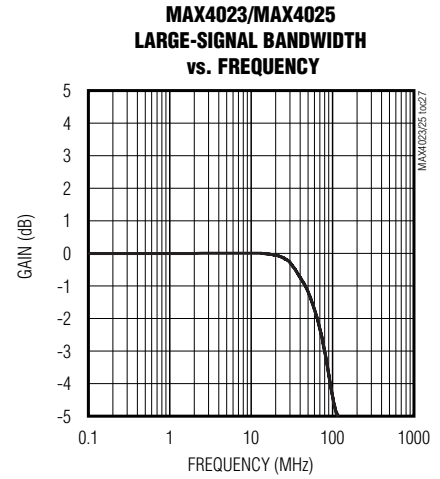
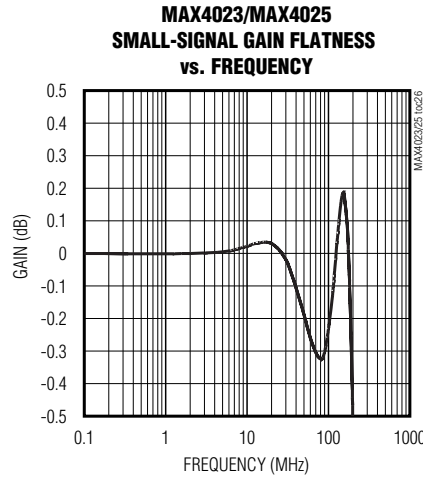
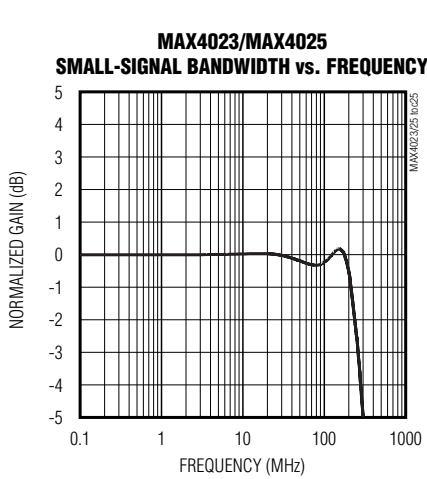


# Triple and Quad, 2:1 Video Multiplexer-Amplifiers with Fixed and Settable Gain

## Typical Operating Characteristics—+5V Single Supply

( $V_{CC} = +5V$ ,  $V_{EE} = 0V$ ,  $V_{CM} = 0.5V$ ,  $V_{REF} = V_{CM}$ ,  $EN = +5V$ ,  $R_{IN} = 75\Omega$  to  $V_{CM}$ ,  $R_L = 150\Omega$  to GND,  $A_{VCL} = +1V/V$  (MAX4023/MAX4025),  $A_{VCL} = +2V/V$  (MAX4024/MAX4026),  $T_A = +25^\circ C$ , unless otherwise noted.)

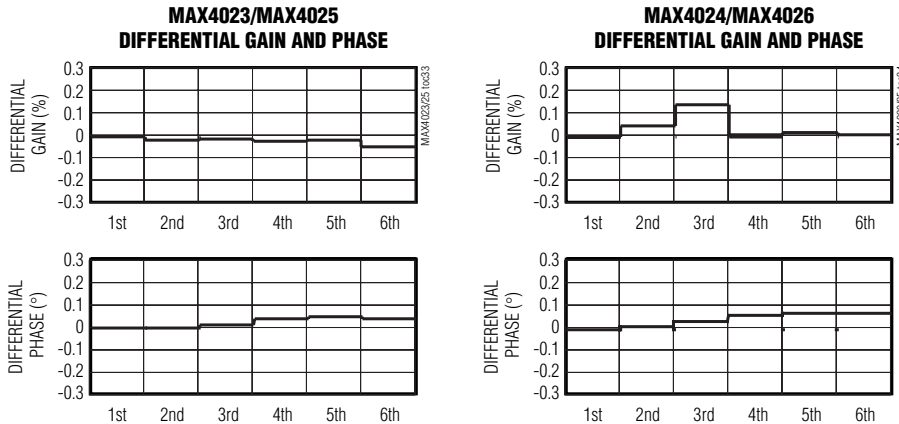
MAX4023-MAX4026



# Triple and Quad, 2:1 Video Multiplexer-Amplifiers with Fixed and Settable Gain

## Typical Operating Characteristics—+5V Single Supply (continued)

( $V_{CC} = +5V$ ,  $V_{EE} = 0V$ ,  $V_{CM} = 0.5V$ ,  $V_{REF} = V_{CM}$ ,  $EN = +5V$ ,  $R_{IN} = 75\Omega$  to  $V_{CM}$ ,  $R_L = 150\Omega$  to GND,  $A_{VCL} = +1V/V$  (MAX4023/MAX4025),  $A_{VCL} = +2V/V$  (MAX4024/MAX4026),  $T_A = +25^\circ C$ , unless otherwise noted.)



## Pin Description

PIN				NAME	FUNCTION
MAX4023 SO/QSOP	MAX4024 SO/TSSOP	MAX4025 SO/TSSOP	MAX4026 SO/TSSOP		
1	1	1	1	IN1A	Amplifier Input 1A
2	2	2	2	IN2A	Amplifier Input 2A
3	3	3	3	IN3A	Amplifier Input 3A
4	4	5	5, 6	$V_{EE}$	Negative Power-Supply Voltage. Bypass $V_{EE}$ to GND with a 0.1 $\mu F$ capacitor. Connect $V_{EE}$ to GND for single-supply operation.
5	13	6	17	A/B	Channel Select Input. Pull A/B high to select channel A. Drive A/B low to select channel B.
6	5	7	7	IN1B	Amplifier Input 1B
7	6	8	8	IN2B	Amplifier Input 2B
8	7	9	9	IN3B	Amplifier Input 3B
9	—	14	—	FB3	Amplifier Feedback Input for Amplifier 3
10	9	13	13	OUT3	Amplifier Output 3
11	10	18	18	OUT2	Amplifier Output 2
12	—	17	—	FB2	Amplifier Feedback Input for Amplifier 2
13	11	15	14	EN	Enable Input. Pull EN high for normal operation. Drive EN low to disable all outputs.

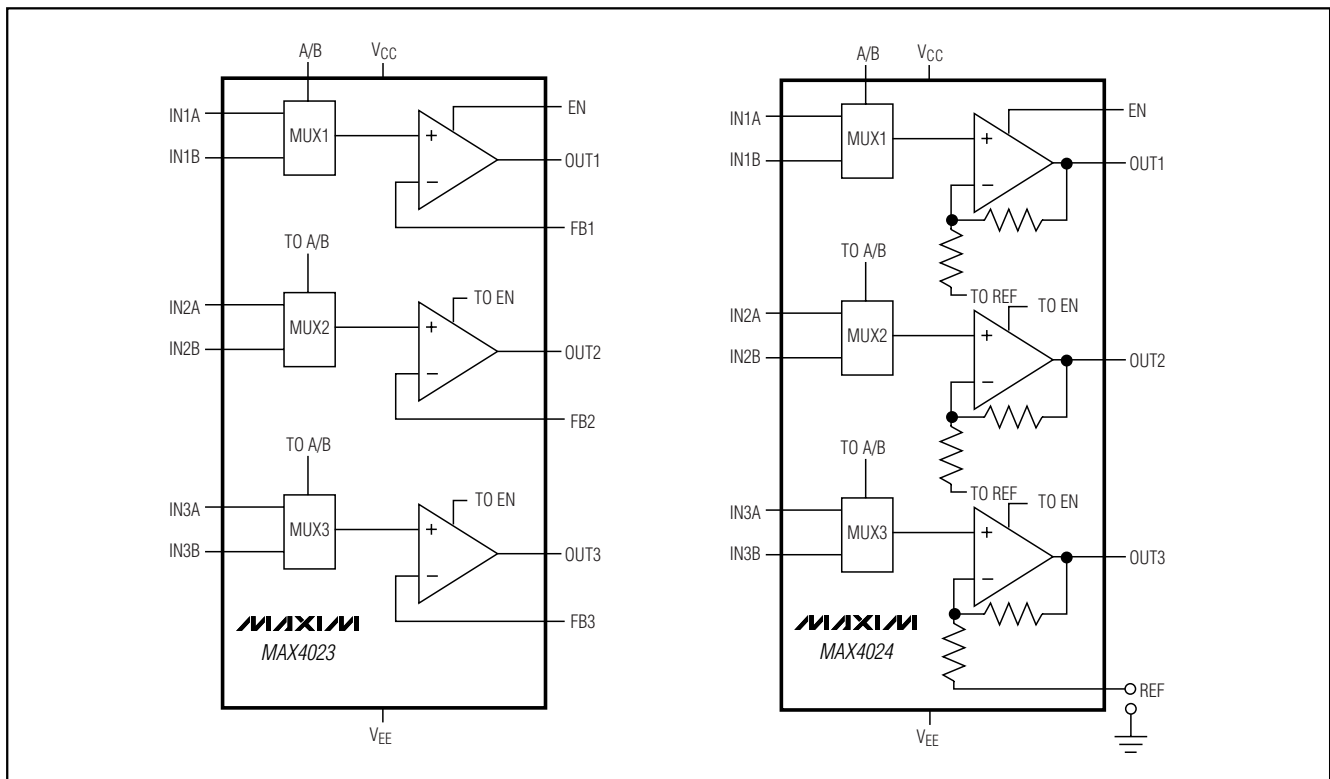
# Triple and Quad, 2:1 Video Multiplexer-Amplifiers with Fixed and Settable Gain

## Pin Description (continued)

PIN				NAME	FUNCTION
MAX4023 SO/QSOP	MAX4024 SO/TSSOP	MAX4025 SO/TSSOP	MAX4026 SO/TSSOP		
14	12	16	15, 16	V <sub>CC</sub>	Positive Power-Supply Voltage. Bypass V <sub>CC</sub> to GND with a 0.1μF capacitor.
15	14	19	19	OUT1	Amplifier Output 1
16	—	20	—	FB1	Amplifier Feedback Input for Amplifier 1
—	8	—	11, 20	REF	Reference Pin for Internal Gain Resistor Network
—	—	4	4	IN4A	Amplifier Input 4A
—	—	10	10	IN4B	Amplifier Input 4B
—	—	11	—	FB4	Amplifier Feedback Input for Amplifier 4
—	—	12	12	OUT4	Amplifier Output 4

MAX4023-MAX4026

## Functional Diagrams



# Triple and Quad, 2:1 Video Multiplexer-Amplifiers with Fixed and Settable Gain

## Detailed Description

The MAX4024/MAX4026 combine three and four 2:1 multiplexers, respectively, with a fixed gain of 2 amplifier. The MAX4023/MAX4025 combine three and four 2:1 multiplexers, respectively, with an adjustable gain output amplifier optimized for a closed-loop gain of +1 or greater. These devices operate from a single-supply voltage of +4.5V to +11V or from dual supplies of  $\pm 2.25\text{V}$  to  $\pm 5.5\text{V}$ . The outputs may be placed in a high-impedance state and the supply current minimized by forcing the EN pin low. The input multiplexers feature short 25ns channel-switching times and small 10mV<sub>P-P</sub> switching transients. These devices feature voltage-feedback output amplifiers that achieve up to 363V/ $\mu\text{s}$  slew rates and up to 220MHz -3dB bandwidths. They also feature excellent differential gain/phase performance.

The MAX4023–MAX4026 feature an A/B pin, which is an input pin for selecting either channel A or B. Drive A/B high to select channel A or drive A/B low to select channel B. Channel A is automatically selected if A/B is left unconnected.

## Applications Information

### Feedback and Gain Resistor Selection (MAX4023/MAX4025)

Select the MAX4023/MAX4025 gain-setting feedback  $R_F$  and  $R_G$  resistors to fit your application. Large resistor values increase voltage noise and interact with the amplifier's input and PC board capacitance. This can generate undesirable poles and zeros, and can decrease bandwidth or cause oscillations.

Stray capacitance at the FB pin produces peaking in the frequency-response curve. Keep the capacitance at FB as low as possible by using surface-mount resistors and by avoiding the use of a ground plane beneath or beside these resistors and the FB pin. Some capacitance is unavoidable. If necessary, its effects can be neutralized by adjusting  $R_F$ . Use 1% resistors to maintain gain accuracy.

### Low-Power Shutdown Mode

All parts feature a low-power shutdown mode that is activated by driving the EN input low. Placing the amplifier in shutdown mode reduces the quiescent supply current to below 4mA and places the output into a high-impedance state, typically 75k $\Omega$  (MAX4023/MAX4025). Multiple devices may be paralleled to construct larger switch matrices by connecting the outputs of several devices together and disabling all but one of the paralleled amplifiers' outputs.

For MAX4023/MAX4025 application circuits operating with a closed-loop gain of +1 or greater, consider the external-feedback network impedance of all devices used in the mux application when calculating the total load on the output amplifier of the active device. The MAX4024/MAX4026 have a fixed gain of +2 that is internally set with two 500 $\Omega$  thin-film resistors. The impedance of the internal feedback resistors must be taken into account when operating multiple MAX4024/MAX4026s in large multiplexer applications.

For normal operation, drive EN high. Note that the MAX4023–MAX4026 have internal pullup circuitry on EN, so if left unconnected, it is automatically pulled up to VCC.

### Layout and Power-Supply Bypassing

The MAX4023–MAX4026 have high bandwidths and consequently require careful board layout, including the possible use of constant-impedance microstrip or stripline techniques.

To realize the full AC performance of these high-speed amplifiers, pay careful attention to power-supply bypassing and board layout. The PC board should have at least two layers: a signal and power layer on one side, and a large, low-impedance ground plane on the other side. The ground plane should be as free of voids as possible, with one exception: The feedback (FB) should have as low a capacitance to ground as possible. Whether or not a constant-impedance board is used, it is best to observe the following guidelines when designing the board:

- 1) Do not use wire-wrapped boards or breadboards.
- 2) Do not use IC sockets; they increase parasitic capacitance and inductance.
- 3) Keep signal lines as short and straight as possible. Do not make 90° turns; round all corners.
- 4) Observe high-frequency bypassing techniques to maintain the amplifier's accuracy and stability.
- 5) Use surface-mount components. They generally have shorter bodies and lower parasitic reactance, yielding better high-frequency performance than through-hole components.

The bypass capacitors should include a 0.1 $\mu\text{F}$  ceramic surface-mount capacitor between each supply pin and the ground plane, located as close to the package as possible. Optionally, place a 10 $\mu\text{F}$  tantalum capacitor at the power-supply's point of entry to the PC board to ensure the integrity of incoming supplies. The power-supply traces should lead directly from the tantalum capacitor to the VCC and VEE pins. To minimize para-

# Triple and Quad, 2:1 Video Multiplexer-Amplifiers with Fixed and Settable Gain

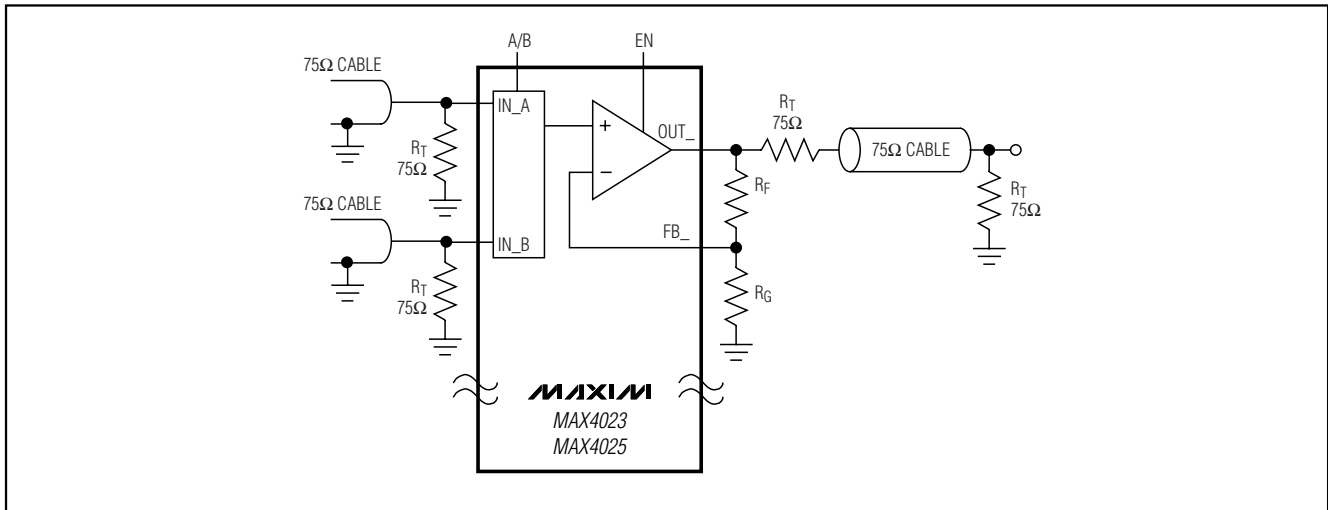


Figure 1. MAX4023/MAX4025 Noninverting Gain Configuration

sitic inductance, keep PC traces short and use surface-mount components.

If input termination resistors and output back-termination resistors are used, they should be surface-mount types, and should be placed as close to the IC pins as possible.

### Video Line Driver

The MAX4024/MAX4026 are well suited to drive short coaxial transmission lines when the cable is terminated at both ends (as shown in Figure 2a) where the fixed gain of +2 compensates for the loss in the resistors. The MAX4023/MAX4025 have settable gain to equalize long cables. The MAX4023/MAX4025 allow adding functions that normally require additional op amps. For example, a cable driver can “boost” the high frequencies for long runs, making the part perform multiple functions. Figure 2b shows the “cable booster” using the MAX4023/MAX4025.

### Driving Capacitive Loads

A correctly terminated transmission line is purely resistive and presents no capacitive load to the amplifier.

Reactive loads decrease phase margin and may produce excessive ringing and oscillation (see *Typical Operating Characteristics*).

Another concern when driving capacitive loads is the amplifier’s output impedance, which appears inductive at high frequencies. This inductance forms an L-C resonant circuit with the capacitive load, which causes peaking in the frequency response and degrades the amplifier’s phase margin.

Although the MAX4023–MAX4026 are optimized for AC performance and are not designed to drive highly capacitive loads, they are capable of driving up to 33pF without oscillations. However, some peaking may occur in the frequency domain (Figure 3). To drive larger capacitive loads or to reduce ringing, add an isolation resistor between the amplifier’s output and the load (Figure 4). The value of  $R_{ISO}$  depends on the circuit’s gain and the capacitive load (Figure 5). Also note that the isolation resistor forms a divider that decreases the voltage delivered to the load.

# Triple and Quad, 2:1 Video Multiplexer-Amplifiers with Fixed and Settable Gain

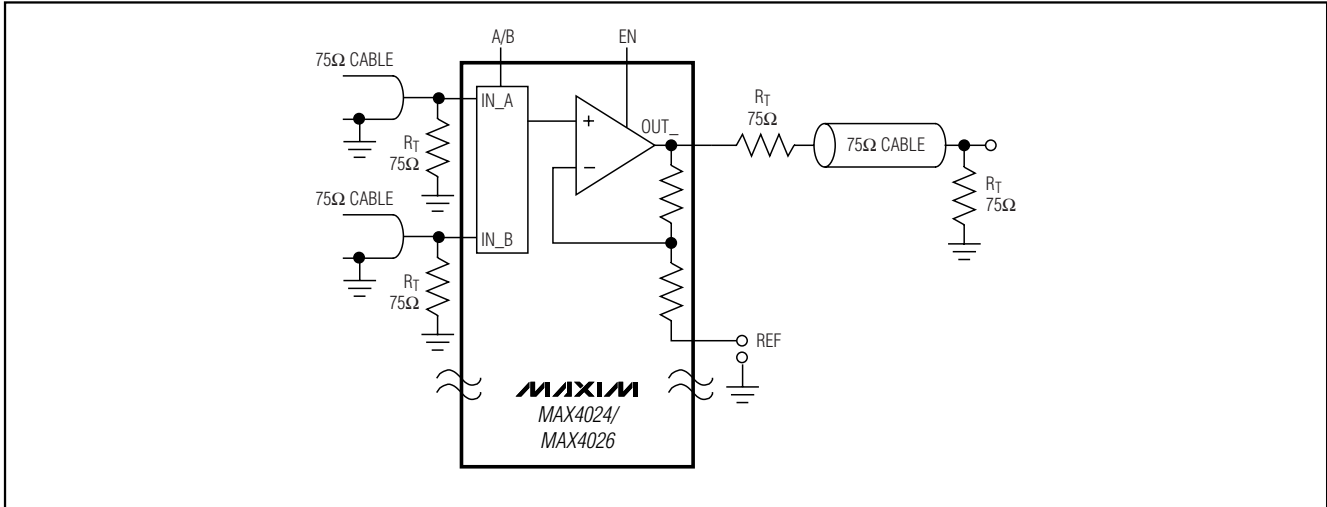


Figure 2a. Video Line Driver

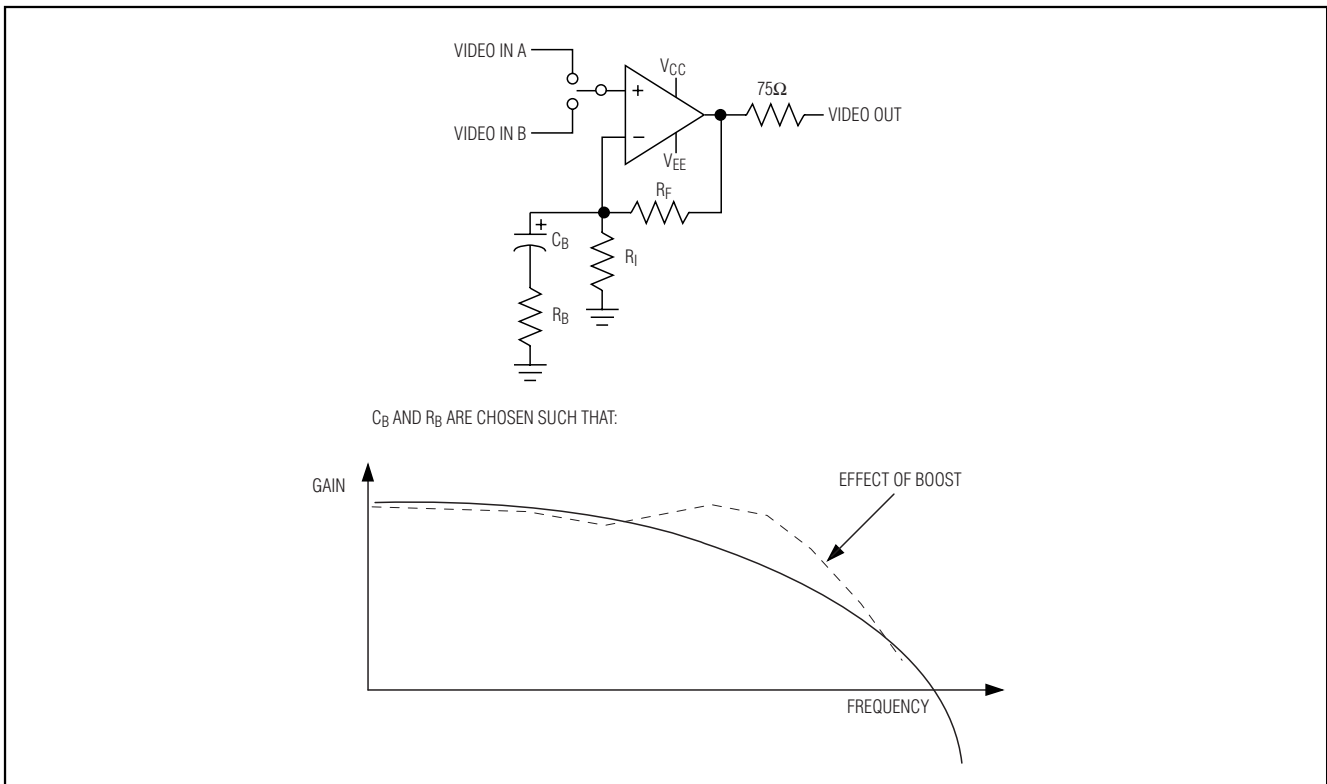


Figure 2b. Cable Booster Using the MAX4023/MAX4025



# Triple and Quad, 2:1 Video Multiplexer-Amplifiers with Fixed and Settable Gain

MAX4023-MAX4026

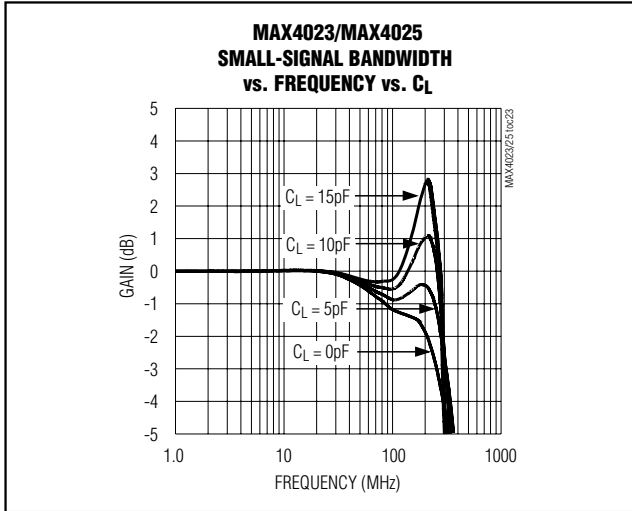


Figure 3. Small-Signal Bandwidth vs. Frequency with Capacitive Load and No Isolation Resistor

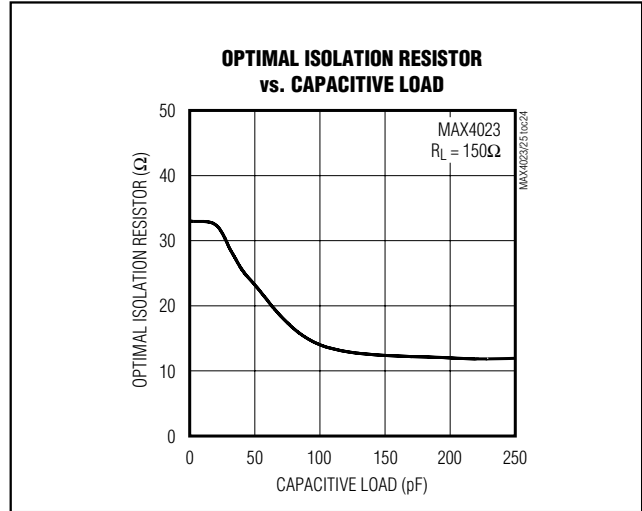


Figure 5. Optimal Isolation Resistance vs. Capacitive Load

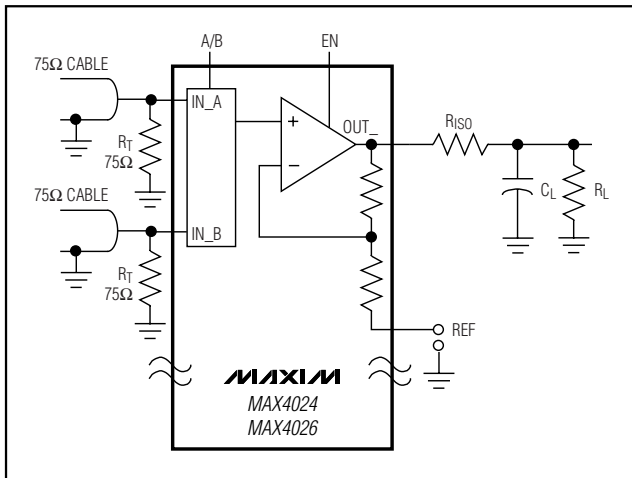


Figure 4. Using an Isolation Resistor ( $R_{ISO}$ ) for a High-Capacitive Load

## Selector Guide

PART	PIN-PACKAGE	NO. OF VIDEO MUX-AMPS	AMPLIFIER GAIN (V/V)
MAX4023	16 SO/QSOP	3	$\geq +1$
MAX4024	14 SO/TSSOP	3	+2
MAX4025	20 SO/TSSOP	4	$\geq +1$
MAX4026	20 SO/TSSOP	4	+2

## Chip Information

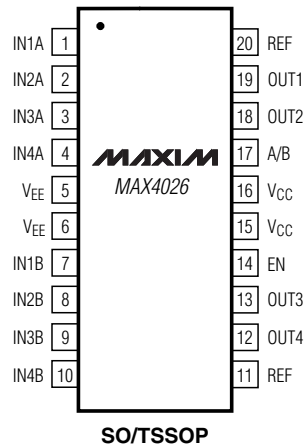
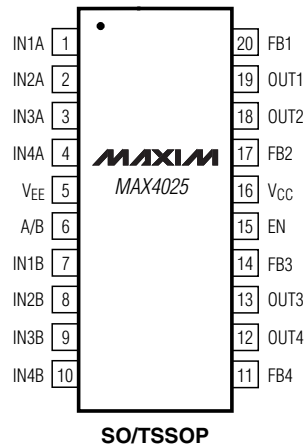
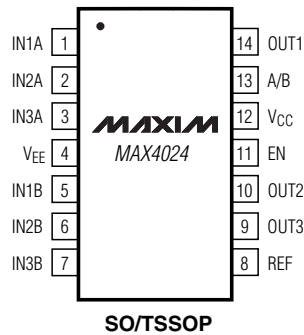
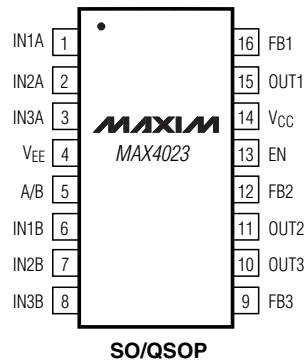
TRANSISTOR COUNT: 655

PROCESS: Bipolar

# Triple and Quad, 2:1 Video Multiplexer-Amplifiers with Fixed and Settable Gain

## Pin Configurations

TOP VIEW

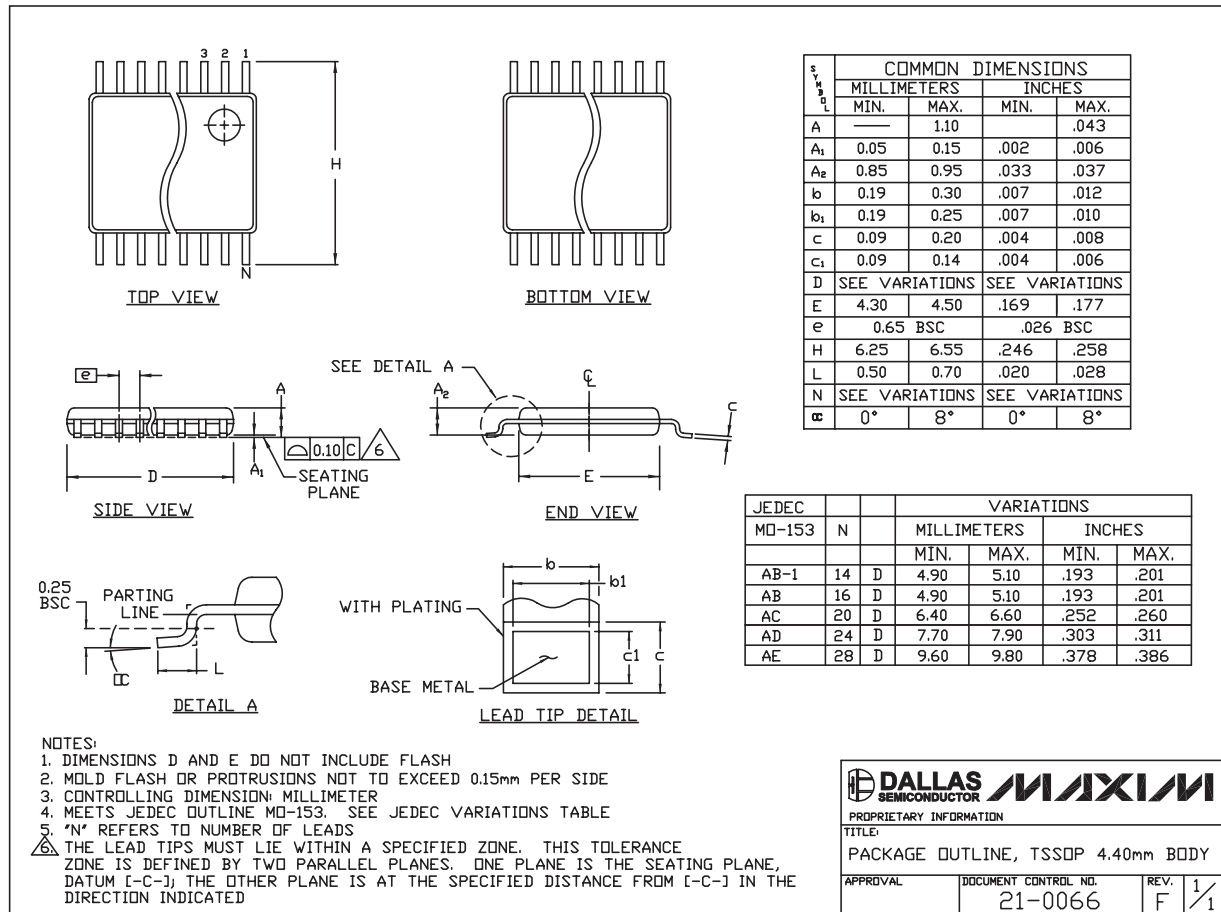


# Triple and Quad, 2:1 Video Multiplexer-Amplifiers with Fixed and Settable Gain

## Package Information

(The package drawing(s) in this data sheet may not reflect the most current specifications. For the latest package outline information, go to [www.maxim-ic.com/packages](http://www.maxim-ic.com/packages).)

MAX4023-MAX4026



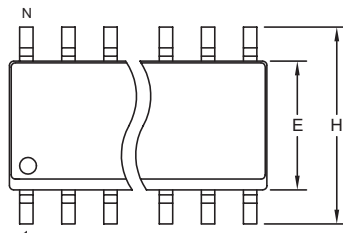
TSSOP4.40mm:EPS

# Triple and Quad, 2:1 Video Multiplexer-Amplifiers with Fixed and Settable Gain

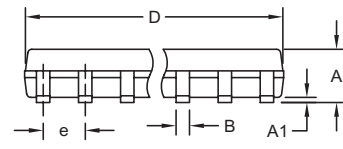
## Package Information (continued)

(The package drawing(s) in this data sheet may not reflect the most current specifications. For the latest package outline information, go to [www.maxim-ic.com/packages](http://www.maxim-ic.com/packages).)

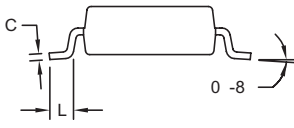
SOICN EPSS



TOP VIEW



FRONT VIEW



SIDE VIEW



**NOTES:**

1. D&E DO NOT INCLUDE MOLD FLASH.
2. MOLD FLASH OR PROTRUSIONS NOT TO EXCEED 0.15mm (.006").
3. LEADS TO BE COPLANAR WITHIN 0.10mm (.004").
4. CONTROLLING DIMENSION: MILLIMETERS.
5. MEETS JEDEC MS012.
6. N = NUMBER OF PINS.

DIM	INCHES		MILLIMETERS	
	MIN	MAX	MIN	MAX
A	0.053	0.069	1.35	1.75
A1	0.004	0.010	0.10	0.25
B	0.014	0.019	0.35	0.49
C	0.007	0.010	0.19	0.25
e	0.050 BSC		1.27 BSC	
E	0.150	0.157	3.80	4.00
H	0.228	0.244	5.80	6.20
L	0.016	0.050	0.40	1.27

VARIATIONS:

DIM	INCHES		MILLIMETERS		N	MS012
	MIN	MAX	MIN	MAX		
D	0.189	0.197	4.80	5.00	8	AA
D	0.337	0.344	8.55	8.75	14	AB
D	0.386	0.394	9.80	10.00	16	AC

PROPRIETARY INFORMATION

TITLE:  
PACKAGE OUTLINE, .150" SOIC

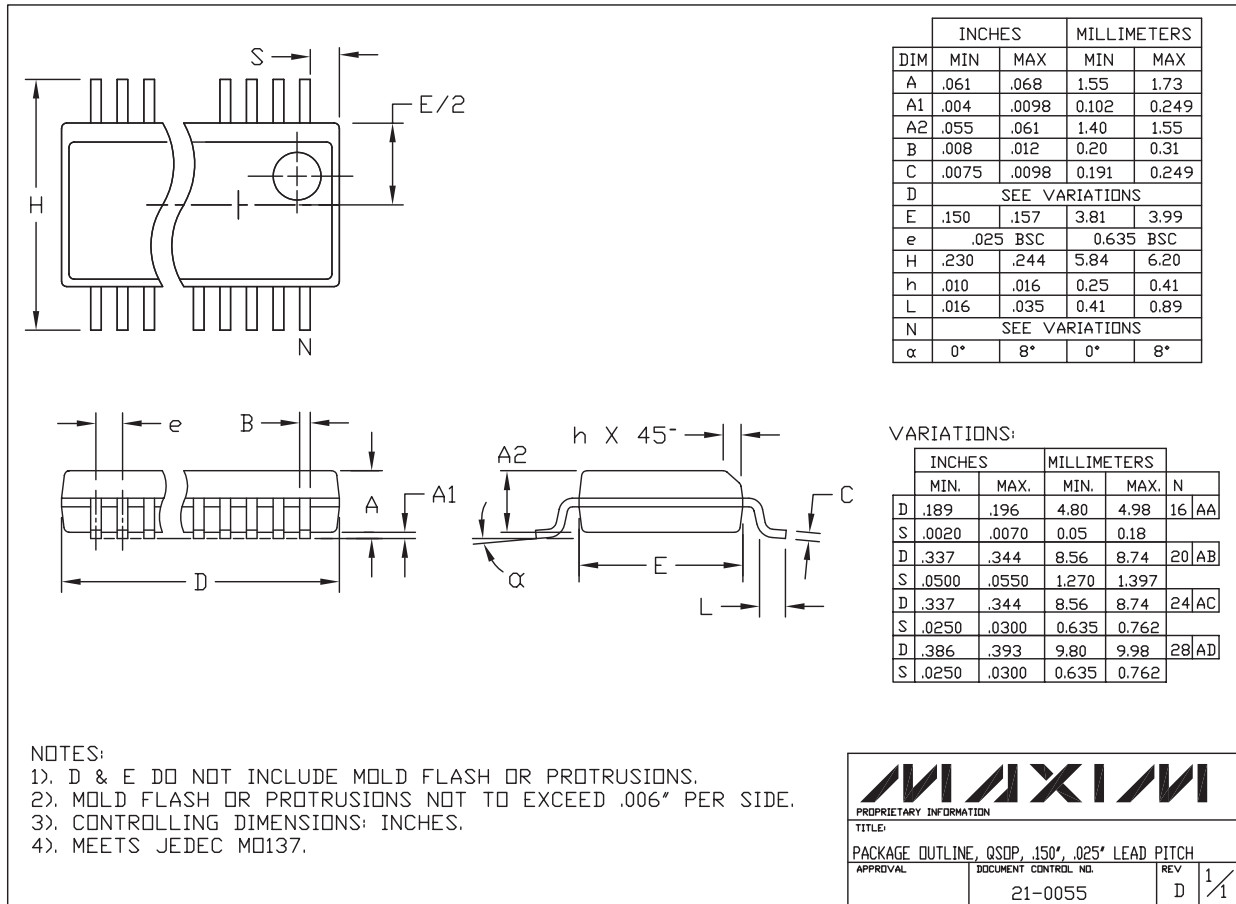
APPROVAL	DOCUMENT CONTROL NO. 21-0041	REV. B	1/1
----------	---------------------------------	-----------	-----

# Triple and Quad, 2:1 Video Multiplexer-Amplifiers with Fixed and Settable Gain

## Package Information (continued)

(The package drawing(s) in this data sheet may not reflect the most current specifications. For the latest package outline information, go to [www.maxim-ic.com/packages](http://www.maxim-ic.com/packages).)

MAX4023-MAX4026



QSDPERS

# Triple and Quad, 2:1 Video Multiplexer-Amplifiers with Fixed and Settable Gain

## Package Information (continued)

(The package drawing(s) in this data sheet may not reflect the most current specifications. For the latest package outline information, go to [www.maxim-ic.com/packages](http://www.maxim-ic.com/packages).)

TOP VIEW

FRONT VIEW

SIDE VIEW

DIM	INCHES		MILLIMETERS	
	MIN	MAX	MIN	MAX
A	0.093	0.104	2.35	2.65
A1	0.004	0.012	0.10	0.30
B	0.014	0.019	0.35	0.49
C	0.009	0.013	0.23	0.32
e	0.050		1.27	
E	0.291	0.299	7.40	7.60
H	0.394	0.419	10.00	10.65
L	0.016	0.050	0.40	1.27

VARIATIONS:

DIM	INCHES		MILLIMETERS		N	MS013
	MIN	MAX	MIN	MAX		
D	0.398	0.413	10.10	10.50	16	AA
D	0.447	0.463	11.35	11.75	18	AB
D	0.496	0.512	12.60	13.00	20	AC
D	0.598	0.614	15.20	15.60	24	AD
D	0.697	0.713	17.70	18.10	28	AE

**NOTES:**

- D&E DO NOT INCLUDE MOLD FLASH.
- MOLD FLASH OR PROTRUSIONS NOT TO EXCEED 0.15mm (.006").
- LEADS TO BE COPLANAR WITHIN 0.10mm (.004").
- CONTROLLING DIMENSION: MILLIMETERS.
- MEETS JEDEC MS013.
- N = NUMBER OF PINS.

	DALLAS SEMICONDUCTOR	MAXIM
PROPRIETARY INFORMATION		
TITLE: <b>PACKAGE OUTLINE, .300" SOIC</b>		
APPROVAL	DOCUMENT CONTROL NO. <b>21-0042</b>	REV. <b>B</b> <span style="border: 1px solid black; padding: 2px;">1/1</span>

SOICWEP5

Maxim cannot assume responsibility for use of any circuitry other than circuitry entirely embodied in a Maxim product. No circuit patent licenses are implied. Maxim reserves the right to change the circuitry and specifications without notice at any time.

22 \_\_\_\_\_ **Maxim Integrated Products, 120 San Gabriel Drive, Sunnyvale, CA 94086 408-737-7600**