

**DATA SHEET**



**Cologne  
Chip  
Designs**

**HFC - S PCI  
ISDN 2BDS0**

**ISDN HDLC FIFO controller  
with  
S/T and PCI interface  
and  
U-chip support**

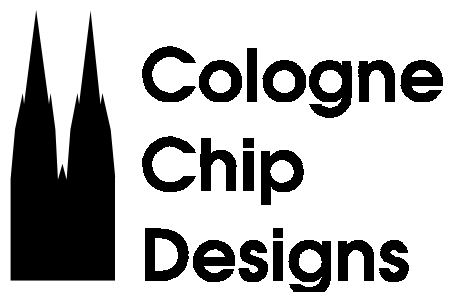
Copyright 1994-1999 Cologne Chip Designs GmbH  
All Rights Reserved

The information presented can not be considered as  
assured characteristics. Data can change without notice.  
Parts of the information presented may be protected by  
patent or other rights.

**February 1999**

## Revision History

Date	Remarks
Feb. 1999	Changes made on: CLKDEL register bit description.
Jan. 1999	<b>New chip released: HFC-S PCI A is compliant to PCI Spec 2.2.</b> The old chip HFC-S PCI is not recommended for new projects.
Sep. 1998	Changes made on: Electrical characteristics, <b>Part List: C3 and C4 must be 22pF.</b>
Aug. 1998	Changes made on: FIFO_EN register bit description.
Aug. 1998	Changes made on: <b>Part List: C3 and C4 must be 47pF, C5 and C6 have been removed.</b>
July 1998	changes made on: PCI buffer signaling and power supply environment, PCI configuration registers, B_MODE register bit description
July 1998	changes made on: Block diagram, sample circuitry, <b>Part List: Q2 and Q3 must be BC850C instead of BC848B</b>
June 1998	schematic of PCI sample board corrected; digital part added
May 1998	changes made on: RESET characteristics, PCI modes supported, PCI buffer signaling environment, PCI configuration registers, timer, FIFO counters location in MW, automatically D-channel frame repetition, FIFO initialisation, TRxR register bit description, CTMT register bit description, CHIP_ID register bit description, FIFO_EN register bit description, TRM register bit description, electrical characteristics, S/T module part numbers and manufacturers, sample circuitry



Eintrachtstrasse 113  
D-50668 Köln  
Germany

Tel.: +49 (0) 221 / 912 96 04  
Fax: +49 (0) 221 / 912 96 05  
<http://www.CologneChip.com>  
<http://www.CologneChip.de>  
[CologneChip@t-online.de](mailto:CologneChip@t-online.de)

**Contents**

<b>1 General description.....</b>	<b>6</b>
1.1 Applications .....	7
<b>2 Pin description.....</b>	<b>8</b>
2.1 PCI bus interface.....	8
2.2 Auxiliary port.....	10
2.3 S/T interface transmit signals .....	10
2.4 S/T interface receive signals.....	10
2.5 Oscillator.....	11
2.6 GCI/IOM2 bus interface .....	11
2.7 GCI/IOM2 Timeslot enable signals .....	11
2.8 EEPROM interface .....	11
2.9 Power supply.....	12
2.10 RESET characteristics .....	12
<b>3 Functional description.....</b>	<b>13</b>
3.1 PCI-interface .....	13
3.1.1 PCI access types used by HFC-S PCI.....	13
3.1.2 PCI modes supported.....	13
3.1.3 PCI buffer signaling and power supply environment .....	13
3.1.4 PCI configuration registers.....	14
3.2 Internal HFC-S PCI register description.....	17
3.2.1 Registers of the S/T section.....	18
3.2.2 Registers of the GCI/IOM2 bus section .....	19
3.2.3 Interrupt and status registers.....	20
3.3 Timer.....	21
3.4 FIFOs .....	22
3.4.1 FIFO counters location in Memory Window .....	23
3.4.2 FIFO data location in Memory Window .....	24
3.4.3 FIFO channel operation.....	25
3.4.3.1 Send channels (B1, B2 and D transmit) .....	25
3.4.3.2 Automatically D-channel frame repetition.....	26
3.4.3.3 FIFO full condition in send channels.....	26
3.4.3.4 Receive Channels (B1, B2 and D receive).....	26
3.4.3.5 FIFO full condition in receive channels.....	28
3.4.3.6 FIFO initialisation .....	28
3.4.4 Transparent mode of HFC-S PCI .....	29
<b>4 Register bit description .....</b>	<b>30</b>
4.1 Register bit description of S/T section .....	30
4.2 Register bit description of GCI/IOM2 bus section .....	33
4.3 Register bit description of CONNECT register.....	36
4.4 Register bit description of auxiliary and cross data registers .....	37
<b>5 Electrical characteristics .....</b>	<b>42</b>
<b>6 Timing characteristics .....</b>	<b>46</b>
6.1 PCI bus timing .....	46
6.2 GCI/IOM2 bus clock and data alignment for Mitel ST™ bus.....	46
6.3 GCI/IOM2 timing.....	47
6.4 EEPROM access .....	48

<b>7 S/T interface circuitry .....</b>	<b>49</b>
7.1 External receiver circuitry .....	49
7.2 External transmitter circuitry .....	50
7.3 Oscillator circuitry .....	53
7.4 EEPROM circuitry .....	53
7.5 PME pin circuitry .....	54
<b>8 State matrices for NT and TE.....</b>	<b>55</b>
8.1 S/T interface activation/deactivation layer 1 for finite state matrix for NT .....	55
8.2 Activation/deactivation layer 1 for finite state matrix for TE .....	56
<b>9 Binary organisation of the frames.....</b>	<b>57</b>
9.1 S/T frame structure .....	57
9.2 GCI frame structure .....	58
<b>10 Clock synchronisation .....</b>	<b>59</b>
10.1 Clock synchronisation in NT-mode .....	59
10.2 Clock synchronisation in TE-mode .....	60
<b>11 HFC-S PCI package dimensions .....</b>	<b>61</b>
<b>12 ISDN PCI card sample circuitry with HFC-S PCI.....</b>	<b>62</b>

## Figures

Figure 1: HFC-S PCI block diagram.....	7
Figure 2: Pin Connection .....	8
Figure 3: HFC-S PCI in I/O address mapped mode.....	17
Figure 4: HFC-S PCI in memory address mapped mode.....	17
Figure 5: FIFO Organisation (shown for B-channel, similar for D-channel) .....	25
Figure 6: FIFO Data Organisation .....	27
Figure 7: Function of the CONNECT register bits.....	36
Figure 8: GCI/IOM2 bus clock and data alignment.....	46
Figure 9: External receiver circuitry .....	49
Figure 10: External transmitter circuitry .....	50
Figure 11: Oscillator Circuitry.....	53
Figure 12: EEPROM circuitry .....	53
Figure 13: PME pin circuitry .....	54
Figure 14: Frame structure at reference point S and T .....	57
Figure 15: Single channel GCI format.....	58
Figure 16: Clock synchronisation in NT-mode .....	59
Figure 17: Clock synchronisation in TE-mode .....	60
Figure 18: HFC-S PCI package dimensions .....	61

**Tables**

Table 1: PCI command types .....	13
Table 2: PCI configuration registers' initial values.....	17
Table 3: S/T module part numbers and manufacturer .....	52
Table 4: Activation/deactivation layer 1 for finite state matrix for NT .....	55
Table 5: Activation/deactivation layer 1 for finite state matrix for TE.....	56

**Timing Diagrams**

Timing diagram 3: GCI/IOM2 timing.....	47
Timing diagram 4: EEPROM access .....	48

## Features

- One chip ISDN-S-controller with B- and D-channel HDLC support
- Independent Read and Write HDLC-Channels for 2 ISDN B-channels and one ISDN D-channel
- B1- and B2-channel transparent mode independently selectable
- FIFO-Memory-Window: 4x 7.5 KByte (B-channel) and 2x 512 Byte (D-channel)
- max. 31 HDLC frames (B-channel) and 15 HDLC frames (D-channel) per channel and direction in FIFO
- 56 kbit/s restricted mode for U.S. ISDN lines selectable
- full I.430 ITU S/T ISDN support in TE and NT mode
- B1+B2 HDLC mode
- PCM30 interface configurable to interface MITEL ST™ bus (MVIP™), Siemens IOM2™ or GCI™ for interface to U-chip or external codecs
- integrated PCI Spec. 2.1 bus interface for 3.3V and 5V bus signals
- direct access to PCM30 interface for tone synthetisation
- 3.3V and 5V supply voltage
- rectangular QFP 100 case

## 1 General description

The HFC-S PCI is an ISDN S/T HDLC basic rate controller for so called „passive“ ISDN PC cards with integrated S/T interface and PCM30 highway interface. It is the first all in one solution for a PCI ISDN PC-card world wide with power management and Windows 98 support.

A 32Kbyte memory window of the PC is used for the deep FIFOs. Also an industrial standard serial interface for telecom peripheral ICs is implemented. Codecs are normally connected to this interface.

## 1.1 Applications

- ISDN PCI PC card

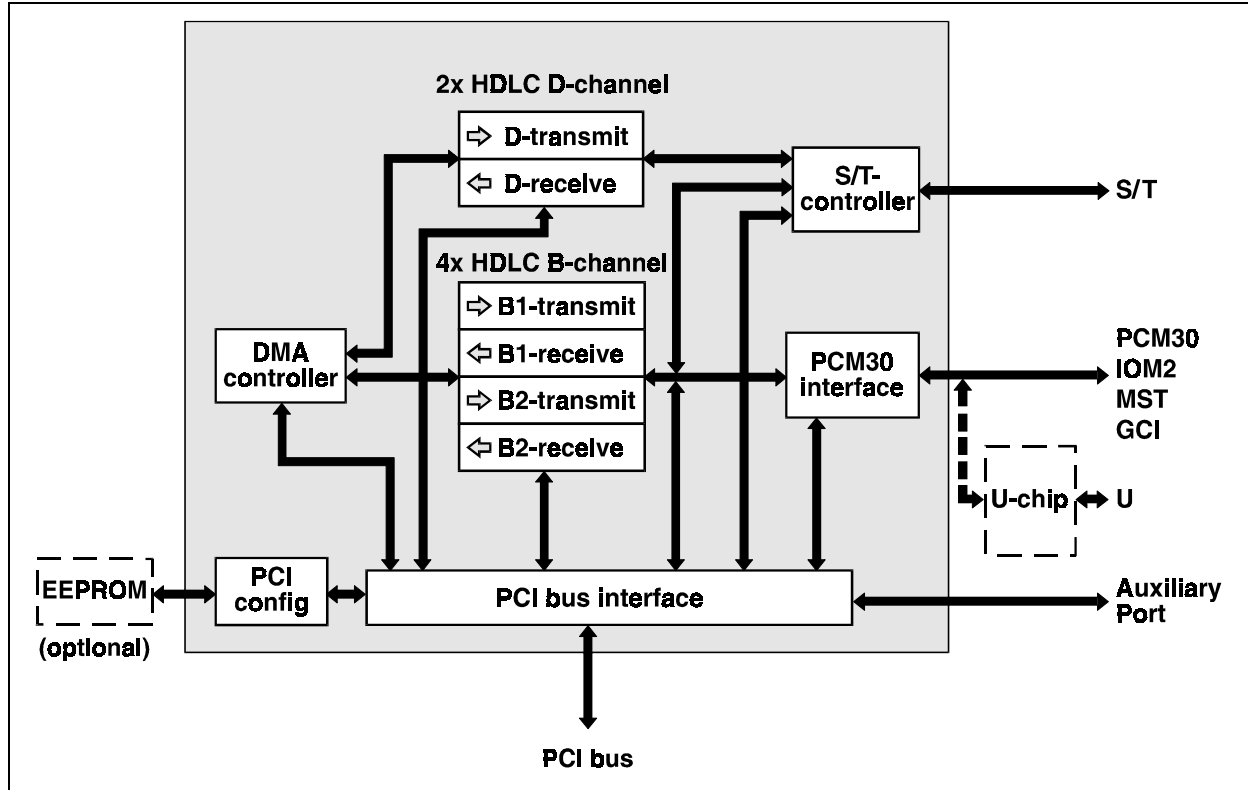


Figure 1: HFC-S PCI block diagram

## 2 Pin description

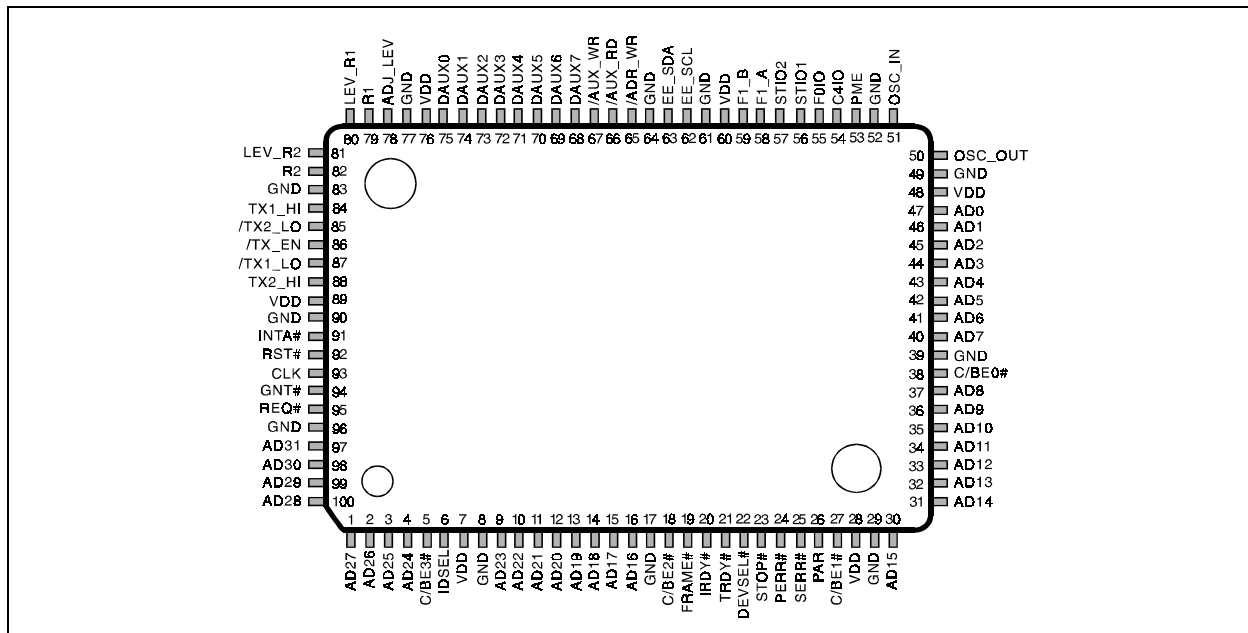


Figure 2: Pin Connection

### 2.1 PCI bus interface

For further information please refer to the PCI Local Bus Specification.

Pin No.	Pin Name	Input Output	Function
			<b>PCI address bus</b>
47	AD0	I/O	Address bit 0
46	AD1	I/O	Address bit 1
45	AD2	I/O	Address bit 2
44	AD3	I/O	Address bit 3
43	AD4	I/O	Address bit 4
42	AD5	I/O	Address bit 5
41	AD6	I/O	Address bit 6
40	AD7	I/O	Address bit 7
37	AD8	I/O	Address bit 8
36	AD9	I/O	Address bit 9
35	AD10	I/O	Address bit 10
34	AD11	I/O	Address bit 11
33	AD12	I/O	Address bit 12
32	AD13	I/O	Address bit 13
31	AD14	I/O	Address bit 14
30	AD15	I/O	Address bit 15



Pin No.	Pin Name	Input Output	Function
16	AD16	I/O	Address bit 16
15	AD17	I/O	Address bit 17
14	AD18	I/O	Address bit 18
13	AD19	I/O	Address bit 19
12	AD20	I/O	Address bit 20
11	AD21	I/O	Address bit 21
10	AD22	I/O	Address bit 22
9	AD23	I/O	Address bit 23
4	AD24	I/O	Address bit 24
3	AD25	I/O	Address bit 25
2	AD26	I/O	Address bit 26
1	AD27	I/O	Address bit 27
100	AD28	I/O	Address bit 28
99	AD29	I/O	Address bit 29
98	AD30	I/O	Address bit 30
97	AD31	I/O	Address bit 31
26	PAR	I/O	Parity bit
38	C/BE0	I/O	Bus command and byte enable 0
27	C/BE1	I/O	Bus command and byte enable 1
18	C/BE2	I/O	Bus command and byte enable 2
5	C/BE3	I/O	Bus command and byte enable 3
93	CLK	I	PCI clock
92	RST#	I	Reset
19	FRAME#	I/O	Cycle frame
20	IRDY#	I/O	Initiator ready
21	TRDY#	I/O	Target ready
23	STOP#	I/O	Stop
6	IDSEL	I	Initialisation device select
22	DEVSEL#	I/O	Device select
95	REQ#	O	Request
94	GNT#	I	Grant
24	PERR#	I/O	Parity error
25	SERR#	O	System error
53	PME	O	Power management event (high active) see also: Figure 13 on page 54
91	INTA#	O	Interrupt A

## 2.2 Auxiliary port

Pin No.	Pin Name	Input Output	Function
75	DAUX0	I/O	AUX data bit 0
74	DAUX1	I/O	AUX data bit 1
73	DAUX2	I/O	AUX data bit 2
72	DAUX3	I/O	AUX data bit 3
71	DAUX4	I/O	AUX data bit 4
70	DAUX5	I/O	AUX data bit 5
69	DAUX6	I/O	AUX data bit 6
68	DAUX7	I/O	AUX data bit 7
67	/AUX_WR	O	AUX write
66	/AUX_RD	O	AUX read
65	/ADR_WR	I/O <sup>d)</sup>	AUX address write

<sup>d)</sup> internal pull down

## 2.3 S/T interface transmit signals

88	TX2_HI	O	Transmit output 2
87	/TX1_LO	O	GND driver for transmitter 1
86	/TX_EN	O	Transmit enable
85	/TX2_LO	O	GND driver for transmitter 2
84	TX1_HI	O	Transmit output 1

See also: 7.2 External transmitter circuitry.

## 2.4 S/T interface receive signals

82	R2	I	Receive data 2
81	LEV_R2	I	Level detect for R2
80	LEV_R1	I	Level detect for R1
79	R1	I	Receive data 1
78	ADJ_LEV	O	Levelgenerator

See also: 7.1 External receiver circuitry.

## 2.5 Oscillator

Pin No.	Pin Name	Input Output	Function
51	OSC_IN	I	Oscillator input or quarz connection 12.288 MHz
50	OSC_OUT	O	Oscillator output or quarz connection

## 2.6 GCI/IOM2 bus interface

54	C4IO	I/O <sup>u)</sup>	4.096 MHz clock GCI/IOM2 bus clock master: output GCI/IOM2 bus clock slave: input (reset default)
55	F0IO	I/O <sup>u)</sup>	Frame synchronisation, 8kHz pulse for GCI/IOM2 bus frame synchronisation GCI/IOM2 bus master: output GCI/IOM2 bus slave: input (reset default)
56	STIO1	I/O <sup>u)</sup>	GCI/IOM2 bus databus I Slotwise programmable as input or output
57	STIO2	I/O <sup>u)</sup>	GCI/IOM2 bus databus II Slotwise programmable as input or output

<sup>u)</sup> internal pull up

## 2.7 GCI/IOM2 Timeslot enable signals

(e. g. for PCM codecs)

58	F1_A	O	enable signal for external CODEC A Programmable as positive (reset default) or negative pulse.
59	F1_B	O	enable signal for external CODEC B Programmable as positive (reset default) or negative pulse.

## 2.8 EEPROM interface

The external EEPROM is optional. EE\_SCL/EN must be connected to GND if no external EEPROM is available.

63	EE_SDA	I/O <sup>u)</sup>	Serial data of external EEPROM
62	EE_SCL/EN	I/O <sup>u)</sup>	Clock of external EEPROM / EEPROM enable

<sup>u)</sup> internal pull up

## 2.9 Power supply

Pin No.	Pin Name	Function
7, 28, 48, 60, 76, 89	VDD	VDD (+3.3V or +5V)
8, 17, 29, 39, 49, 52, 61, 64, 77, 83, 90, 96	GND	GND

 **important!**

All power supply pins VDD must be directly connected to each other. Also all pins GND must be directly connected to each other.

To keep VDD and GND bounce to a minimum a bypass capacitor (10 nF to 100 nF) should be placed between each pair of VDD/GND pins.

## 2.10 RESET characteristics

The reset signal (hardware reset or software reset) must be active for at least 4 clock cycles.

The GCI/IOM2 bus lines STIO1, STIO2 and the interrupt lines are in tristate mode after a reset.

The HFC-S PCI is in slave mode after reset. C4IO and F0IO are inputs.

The S/T state machine is stuck to '0' after reset. This means the HFC-S PCI does not react to any signal on the S/T interface before the S/T state machine is initialised.

The registers' initial values are described in the Register bit description (section 4 of this data sheet).

During initialisation phase the HFC-S PCI must not be accessed. Bit 1 of the STATUS register is cleared to '0' to indicate that the initialisation phase has been finished.

## 3 Functional description

### 3.1 PCI-interface

#### 3.1.1 PCI access types used by HFC-S PCI

C/BE3#	C/BE2#	C/BE1#	C/BE0#	Command Type	HFC-S PCI mode
0	0	1	0	I/O Read	target mode
0	0	1	1	I/O Write	target mode
0	1	1	0	Memory Read	target mode and master mode
0	1	1	1	Memory Write	target mode and master mode
1	0	1	0	Configuration Read	target mode
1	0	1	1	Configuration Write	target mode

Table 1: PCI command types

#### 3.1.2 PCI modes supported

The HFC-S PCI supports both target mode and master mode. Before the HFC-S PCI can operate in master mode the 32K Memory Window Base Address register (MWBA) must be configured.

Afterwards all FIFO data accesses are done by the HFC-S PCI automatically by PCI master accesses.

Only control and configuration register accesses must be done by PCI target accesses by the host CPU.

#### 3.1.3 PCI buffer signaling and power supply environment

The HFC-S PCI supports 5V and 3.3V PCI bus environments. The environment mode is set during RESET (RST# low) by the input value of /ADR\_WR.

PCI bus power and signaling environment	/ARD_WR during RST# low
3.3V	high <sup>*)</sup>
5V	low

<sup>\*)</sup> external pull-up resistor required (10k)

**3.1.4 PCI configuration registers**

Byte				Hex Address
3	2	1	0	
<b>Device ID</b>		<b>Vendor ID</b>		00h
<b>Status Register</b>		<b>Command Register</b>		04h
<b>Class Code</b>			<b>Revision ID</b>	08h
<b>BIST</b>	<b>Header Type</b>	<b>Latency Timer</b>	<b>Cache Line Size</b>	0Ch
<b>I/O Base Address</b>				10h
<b>Memory Base Address</b>				14h
Base Address 2				18h
Base Address 3				1Ch
Base Address 4				20h
Base Address 5				24h
CardBus CIS Pointer				28h
<b>Subsystem ID</b>		<b>Subsystem Vendor ID</b>		2Ch
Expansion ROM Base Address				30h
Reserved			<b>Cap_Ptr</b>	34h
Reserved				38h
<b>Max_Lat</b>	<b>Min_Gnt</b>	<b>Interrupt Pin</b>	<b>Interrupt Line</b>	3Ch
<b>PMC</b>		<b>Next Item Ptr</b>	<b>Cap_ID</b>	40h
<b>Data</b>	<b>PMCSR BSE</b>	<b>PMCSR</b>		44h
<b>32K Memory Window Base Address (MWBA)</b>				80h

- Register is implemented, value can be read from EEPROM
- Register is implemented
- Register is not implemented and returns all 0's when read

The external EEPROM is optional. If no EEPROM is available, EE\_SCL/EN must be connected to GND. Without EEPROM the PCI configuration registers will be loaded with the default values shown in Table 2.

All registers which can be read from EEPROM can also be written by configuration write accesses. The addresses for configuration write are shown in the table below.

Register Name	Default Value	Remarks
Vendor ID	1397h	Value can be read from EEPROM. Base address for configuration write is C0h.
Device ID	2BD0h	Value can be read from EEPROM. Base address for configuration write is C0h.
Command Register		Bits    Function 0       Enables/disables I/O space accesses. 1       Enables/disables memory space accesses. 2       Enables/disables master accesses. 5..3    fixed to '0' 6 <b>PERR#</b> enable/disable 7       fixed to '0' 8 <b>SERR#</b> enable/disable 15..9   fixed to '0'
Status Register	0210h	Bits[7:0] can be read from EEPROM. Base address for configuration write is C4h. Bits    Function 3..0    reserved 4       fixed to '1' 5       66MHz capable 6       User definable features supported 7       fast Back-to-Back capable 8       data parity error detected 10..9   fixed to '01': timing of DEVSEL# is medium 11      signaled target abort (fixed to '0') 12      received target abort 13      received master abort 14      signaled system error (Addr. parity error) 15      detected partity error
Revision ID	01h	
Class Code	02 80 00h	Value can be read from EEPROM. Base address for configuration write is C8h.
Latency Timer	10h	Set to 16 clocks, value is fixed.
Header Type	00h	Header Type 0
BIST	00h	No build in self test supported.
I/O Base Address		Bits[31:3] are r/w by configuration accesses
Memory Base Address		Bits[31:8] are r/w by configuration accesses
Subsystem Vendor ID	1397h	Value can be read from EEPROM. Base address for configuration write is ECh.
Subsystem ID	2BD0h	Value can be read from EEPROM. Base address for configuration write is ECh.
Cap_Ptr	40h	Offset to Power Management register block.

Register Name	Default Value	Remarks
Interrupt Line	FFh	This register must be configured by configuration write.
Interrupt Pin	01h	INTA supported
Min_Gnt	00h	Value can be read from EEPROM. Base address for configuration write is FCh.
Max_Lat	10h	Value can be read from EEPROM. Base address for configuration write is FCh.
Cap_ID	01h	Capability ID. 01h identifies the linked list item as PCI Power Management registers.
Next Ptr	00h	There are no next items in the linked list.
PMC	7E21h	Power Management Capabilities. See also PCI Bus Power Management Interface Specification. This register's value can be read from EEPROM. Base address for configuration write is E0h. <b>PME#</b> can be asserted from D0, D1, D2 and D3 <sub>hot</sub> . Device specific initialisation is required. The HFC-S PCI does not require PCI-clock to generate <b>PME#</b> (if S/T change state is selected). This function complies with the PCI Power Management Spec. Version 1.0.
PMCSR	0000h	Power Management Control/Status Bits    Function 15 <b>PME_Status</b> - This bit is set when the function would normally assert the <b>PME#</b> signal independent of the state of the <b>PME_En</b> bit. Writing a '1' to this bit will clear it and cause the function to stop asserting a <b>PME#</b> (if enabled). Writing a '0' has no effect. 14..9    fixed to '0' 8 <b>PME_En</b> - A '1' enables the function to assert <b>PME#</b> . When '0', <b>PME#</b> assertion is disabled. 7..2    fixed to '0' 1..0 <b>PowerState</b> - This 2-bit field is used both to determine the current power state of a function and to set the function into a new power state.  00b - <b>D0</b> 01b - <b>D1</b> 10b - <b>D2</b> 11b - <b>D3<sub>hot</sub></b>  All States except D0 disable HFC-S PCI master accesses.



Register Name	Default Value	Remarks
32K Memory Window Base Address (MWBA)	0000h	Bits[31:15] are r/w by configuration accesses. The 32K Memory Window is for HFC-S PCI internal use and for the B- and D-channel FIFOs. This register must be written by a "DWORD Config Write" to enable the HFC-S PCI to operate in master mode.

Table 2: PCI configuration registers' initial values

Unimplemented registers return all 0's when read.

### 3.2 Internal HFC-S PCI register description

If the HFC-S PCI is used in memory mapped mode all register can directly be accessed by adding their CIP address to the configured Memory Base Address.

In I/O address mapped mode the HFC-S PCI occupies 8 bytes in the I/O address space. Byte 0 is for data read/write, byte 4 for register selection. The AUX-port address is selected by byte 3, AUX-port data is read/written by byte 1.

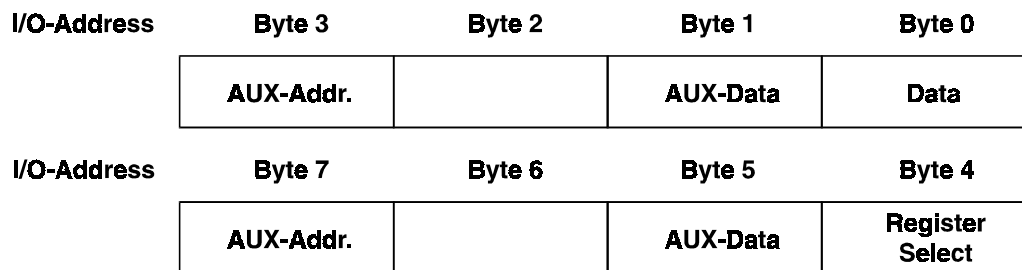


Figure 3: HFC-S PCI in I/O address mapped mode

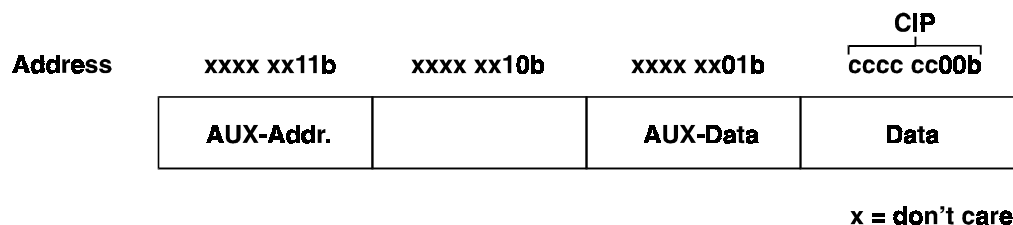


Figure 4: HFC-S PCI in memory address mapped mode

**3.2.1 Registers of the S/T section**

<b>CIP / I/O-address</b>	<b>Name</b>	<b>r/w</b>	<b>Function</b>
1100 0000 C0h	STATES	r/w	State of the TE/NT state machine
1100 0100 C4h	SCTRL	w	S/T control register
1100 1000 C8h	SCTRL_E	w	S/T control register (extended)
1100 1100 CCh	SCTRL_R	w	receive enable for B-channels
1101 0000 D0h	SQ_REC SQ_SEND	r w	receive register for S/Q bits send register for S/Q bits
1101 1100 DCh	CLKDEL	w	setup of the delay time between receive and send direction (TE) receive data sample time (NT)
1111 0000 F0h	B1_REC*) B1_SEND*)	r w	B1-channel receive register B1-channel transmit register
1111 0100 F4h	B2_REC*) B2_SEND*)	r w	B2-channel receive register B2-channel transmit register
1111 1000 F8h	D_REC*) D_SEND*)	r w	D-channel receive register D-channel transmit register
1111 1100 FCh	E_REC*)	r	E-channel receive register

\*) These registers are read/written automatically by the HDLC FIFO controller (HFC) or GCI/IOM2 bus controller and need not be accessed by the user. To read/write data the FIFOs in the Memory Window should be used.

### 3.2.2 Registers of the GCI/IOM2 bus section

#### GCI/IOM2 bus timeslot selection registers

CIP / I/O-address	Name	r/w	Function
0000 1000 08h	C/I	r/w	C/I command/indication register
0000 1100 0Ch	TRxR	r	Monitor Tx ready handshake
0010 1000 28h	MON1_D	r/w	first monitor byte
0010 1100 2Ch	MON2_D	r/w	second monitor byte

#### GCI/IOM2 bus timeslot selection registers

CIP / I/O-address	Name	r/w	Function
1000 0000 80h	B1_SSL	w	B1-channel transmit slot (0..31)
1000 0100 84h	B2_SSL	w	B2-channel transmit slot (0..31)
1000 1000 88h	AUX1_SSL	w	AUX1-channel transmit slot (0..31)
1000 1100 8Ch	AUX2_SSL	w	AUX2-channel transmit slot (0..31)
1001 0000 90h	B1_RSL	w	B1-channel receive slot (0..31)
1001 0100 94h	B2_RSL	w	B2-channel receive slot (0..31)
1001 1000 98h	AUX1_RSL	w	AUX1-channel receive slot (0..31)
1001 1100 9Ch	AUX2_RSL	w	AUX2-channel receive slot (0..31)

#### GCI/IOM2 bus data registers

CIP / I/O-address	Name	r/w	Function
1010 0000 A0h	B1_D <sup>*)</sup>	r/w	GCI/IOM2 bus B1-channel data register
1010 0100 A4h	B2_D <sup>*)</sup>	r/w	GCI/IOM2 bus B2-channel data register
1010 1000 A8h	AUX1_D	r/w	AUX1-channel data register
1010 1100 ACh	AUX2_D	r/w	AUX2-channel data register

<sup>\*)</sup> These registers are read/written automatically by the HDLC FIFO controller (HFC) or by the S/T controller and need not be accessed by the user.

**GCI/IOM2 bus configuration registers**

<b>CIP / I/O-address</b>	<b>Name</b>	<b>r/w</b>	<b>Function</b>
1011 0100 B4h	MST_EMOD	w	extended mode register for GCI/IOM2 bus
1011 1000 B8h	MST_MODE	w	mode register for GCI/IOM2 bus
1011 1100 BCh	CONNECT	w	connect functions for S/T, HFC, GCI/IOM2

**3.2.3 Interrupt and status registers**

<b>CIP / I/O address</b>	<b>Name</b>	<b>r/w</b>	<b>Function</b>
0100 0100 44h	FIFO_EN	w	FIFO enable/disable
0100 1000 48h	TRM	w	transparent mode interrupt mode register
0100 1100 4Ch	B_MODE	w	mode of B-channels
0101 1000 58h	CHIP_ID	r	register for chip identification
0110 0000 60h	CIRM	w	interrupt selection and softreset register
0110 0100 64h	CTMT	w	transparent mode and timer control register
0110 1000 68h	INT_M1	w	interrupt mask register 1
0110 1100 6Ch	INT_M2	w	interrupt mask register 2
0111 1000 78h	INT_S1	r	interrupt status register 1
0111 1100 7Ch	INT_S2	r	interrupt status register 2
0111 0000 70h	STATUS	r	common status register

### 3.3 Timer

The HFC-S PCI includes a timer with interrupt capability. The timer counts F0IO pulses. So the timer counter is incremented every 125 $\mu$ s. It can be reset by bit 7 of of the CTMT register. Furthermore the timer is reset at every HFC-S PCI access when bit 5 of the CTMT register is set. Seven different timer values can be selected.

### 3.4 FIFOs

All FIFOs are located in the 32K Memory Window (MW) in host PC's memory.

There are 6 FIFOs with 6 HDLC-Controllers handled by the HFC-S PCI. The HDLC circuits are located on the S/T device side of the HFC-S PCI. So always plain data is stored in the FIFO. Zero insertion and deletion is done in HDLC mode:

- if the data goes to the S/T or GCI/IOM device in send FIFOs and
- when the HDLC data comes from the S/T device or GCI/IOM2 bus in receive operation.

There are a send and a receive FIFO for each of the two B-channels and for the D-channel.

The FIFOs are realized as ring buffers in the 32K Memory Window in host PC's memory. To control them there are some counters.

	B-channel	D-channel
Z1: FIFO input counter	13 Bit	9 Bit
Z2: FIFO output counter	13 Bit	9 Bit

Each counter points to a byte position in the Memory Window. This is an offset to the 32K Memory Window Base Address in the configuration space. On a FIFO input operation Z1 is incremented. On an output operation Z2 is incremented.

After every pulse on the F0IO signal two HDLC-bytes are written into the S/T interface (FIFOs No. 0 and 2) and two HDLC-bytes are read from the S/T interface (FIFOs No. 1 and 3).

D-channel data is handled in a similar way but only 2 bits are processed.

**👉 important!**

Instead of the S/T interface also GCI/IOM2 bus is selectable for each B-channel (see CONNECT register).

If  $Z1 = Z2$  the FIFO is empty.

Additionally there are two counters F1 and F2 for every FIFO channel (5Bit for B-channel, 4Bit for D-channel). They count the HDLC-frames in the FIFOs and form a ring buffer as Z1 and Z2 do, too.

F1 is incremented when a complete frame has been received and stored in the FIFO. F2 is incremented when a complete frame has been read from the FIFO.

If  $F1 = F2$  there is no complete frame in the FIFO.

When the RESET line is active or software reset is active Z1, Z2, F1 and F2 are all initialized to all 1s.

All  $Z_x$  and  $F_x$  counters are also stored in the Memory Window. So it is easy to read and write the counters by simple host memory accesses.

Because the HFC-S PCI is limited to the 32K Memory Window data in different regions of the host PC can not be overwritten even if counter and pointer values are handled in a wrong way.

**👉 important!**

The counter state 0200h of the Z-counters follows counter state 1FFFh in the B-channel FIFOs.  
The counter state 000h of the Z-counters follows counter state 1FFh in the D-channel FIFOs.

The counter state 00h of the F-counters follows counter state 1Fh in the B-channel FIFOs.  
The counter state 10h of the F-counters follows counter state 1Fh in the D-channel FIFOs.

### 3.4.1 FIFO counters location in Memory Window

For each FIFO one F1 and one F2 counter is available. The counters are located at the following offsets to the Memory Window Base Address (MWBA) in the Memory Window (MW).

<b>FIFO</b>	<b>Counter</b>	<b>Offset to Memory Window Base Address</b>	<b>Counter Size in Bytes</b>
B1-transmit	F1	2080h	1
	F2 <sup>*)</sup>	2081h	1
B1-receive	F1 <sup>*)</sup>	6080h	1
	F2	6081h	1
B2-transmit	F1	2180h	1
	F2 <sup>*)</sup>	2181h	1
B2-receive	F1 <sup>*)</sup>	6180h	1
	F2	6181h	1
D-transmit	F1	20A0h	1
	F2 <sup>*)</sup>	20A1h	1
D-receive	F1 <sup>*)</sup>	60A0h	1
	F2	60A1h	1

<sup>\*)</sup> These counters are handled by the HFC-S PCI automatically and must not be written by software.

For each FIFO an array of Z1 and Z2 counters is available. The offset of the counters to the Memory Window Base Address (MWBA) can be calculated as shown in the following table.

FIFO	Counter	Offset to Memory Window Base Address	Counter Size in Bytes
B1-transmit	Z1	$2000h + (F_x * 4)$	2
	Z2 <sup>*)</sup>	$2000h + (F_x * 4) + 2$	2
B1-receive	Z1 <sup>*)</sup>	$6000h + (F_x * 4)$	2
	Z2	$6000h + (F_x * 4) + 2$	2
B2-transmit	Z1	$2100h + (F_x * 4)$	2
	Z2 <sup>*)</sup>	$2100h + (F_x * 4) + 2$	2
B2-receive	Z1 <sup>*)</sup>	$6100h + (F_x * 4)$	2
	Z2	$6100h + (F_x * 4) + 2$	2
D-transmit	Z1	$2080h + (F_x * 4)$	2
	Z2 <sup>*)</sup>	$2080h + (F_x * 4) + 2$	2
D-receive	Z1 <sup>*)</sup>	$6080h + (F_x * 4)$	2
	Z2	$6080h + (F_x * 4) + 2$	2

\*) These counters are handled by the HFC-S PCI automatically and must not be written by software.

F<sub>x</sub> is either F1 or F2. F1 is used for input data in transmit FIFOs, F2 is used for output data in receive FIFOs.

### 3.4.2 FIFO data location in Memory Window

FIFO	Starting at Offset	Ending at Offset	Offset to add to Z-counters value
B1-transmit	0200h	1FFFh	0000h
B1-receive	4200h	5FFFh	4000h
B2-transmit	2200h	3FFFh	2000h
B2-receive	6200h	7FFFh	6000h
D-transmit	0000h	01FFh	0000h
D-receive	4000h	41FFh	4000h



### 3.4.3 FIFO channel operation

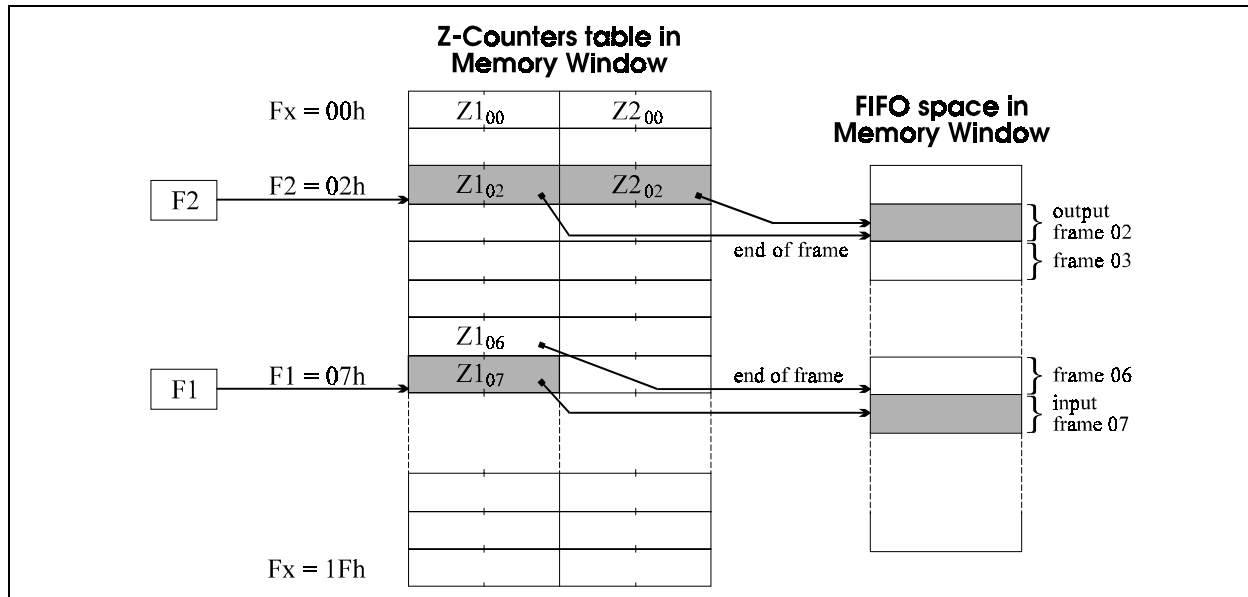


Figure 5: FIFO Organisation (shown for B-channel, similar for D-channel)

#### 3.4.3.1 Send channels (B1, B2 and D transmit)

The send channels send data from the host bus interface to the FIFO and the HFC-S PCI converts the data into HDLC code and transfers it from the FIFO into the S/T or/and the GCI/IOM2 bus interface write registers.

The HFC-S PCI checks Z1 and Z2. If Z1=Z2 (FIFO empty) the HFC-S PCI generates a HDLC-Flag (01111110) and sends it to the S/T device. In this case Z2 is not incremented. If also F1=F2 only HDLC flags are sent to the S/T interface and all counters remain unchanged. If the frame counters are unequal F2 is incremented and the HFC-S PCI tries to send the next frame to the output device. After the end of a frame (Z2 reaches Z1) it automatically generates the 16 bit CRC checksum and adds the ending flag. If there is another frame in the FIFO (F1≠F2) the F2 counter is incremented.

With every byte being sent from the host bus side to the FIFO Z1 is incremented automatically. If a complete frame has been sent F1 must be incremented to send the next frame. If the frame counter F1 is incremented also the Z-counters may change because Z1 and Z2 are functions of F1 and F2. So there are Z1(F1), Z2(F1), Z1(F2) and Z2(F2) (see Figure 5).

Z1(F1) is used for the frame which is just written from the PC-bus side. Z2(F2) is used for the frame which is just being transmitted to the S/T device side of the HFC-S PCI. Z1(F2) is the end of frame pointer of the current output frame.

In the send channels F1 is only changed from the PC interface side if the software driver wants to say „end of send frame“. Then the current value of Z1 is stored, F1 is incremented and Z1 is used as start address of the next frame. Z1(F2) and Z2(F2) can not be accessed.

### 3.4.3.2 Automatically D-channel frame repetition

The D-channel send FIFO has a special feature. If the S/T interface signals a D-channel contention before the CRC is sent the Z2 counter is set to the starting address of the current frame and the HFC-S PCI tries to repeat the frame automatically.

**👉 important!**

The HFC-S PCI begins to transmit bytes from a FIFO at the moment  $Z1 \neq Z2$ . So if the Z1 pointer is updated by software after writing the transmit data into the FIFO space of the Memory Window the transmission starts.

### 3.4.3.3 FIFO full condition in send channels

FIFO full condition can easily be calculated from the Z1/Z2 table in the Memory Window.

Remember that an increment of Z-value 1FFFh is 0200h in the B-channels!

There are two different FIFO full conditions. The first one is met when the FIFO contents comes up to 31 frames (B-channel) or 15 frames (D-channel). There is no possibility for the HFC-S PCI to manage more frames even if the frames are very small.

The second limitation is the size of the FIFO which is 512 byte for the D-channel and 7.5 KByte for the B-channels.

### 3.4.3.4 Receive Channels (B1, B2 and D receive)

The receive channels receive data from the S/T or GCI/IOM2 bus interface read registers. The data is converted from HDLC into plain data and sent to the FIFO. The data can then be read via the host bus interface.

The HFC-S PCI checks the HDLC data coming in. If it finds a flag or more than 5 consecutive 1s it does not generate any output data. In this case Z1 is not incremented. Proper HDLC data being received is converted by the HFC-S PCI into plain data. After the ending flag of a frame the HFC-S PCI checks the HDLC CRC checksum. If it is correct one byte with all 0s is inserted behind the CRC data in the FIFO named STAT. This last byte of a frame in the FIFO is different from all 0s if there is no correct CRC field at the end of the frame.

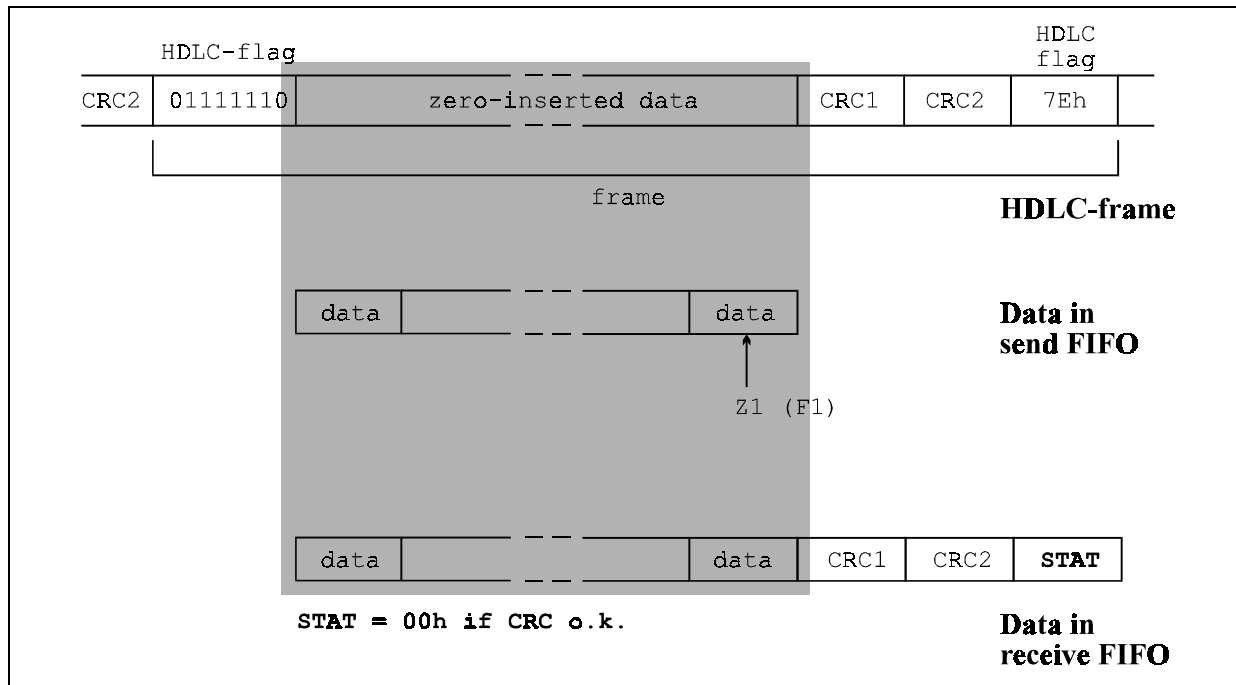


Figure 6: FIFO Data Organisation

The ending flag of a HDLC-frame can also be the starting flag of the next frame.

After a frame is received completely F1 is incremented by the HFC-S PCI automatically and the next frame can be received.

After reading a frame via the host bus interface F2 must be incremented. If the frame counter F2 is incremented also the Z-counters may change because Z1 and Z2 are functions of F1 and F2. So there are Z1(F1), Z2(F1), Z1(F2) and Z2(F2) (see Figure 5).

Z1(F1) is used for the frame which is just received from the S/T device side of the HFC. Z2(F2) is used for the frame which is just being transmitted to the host bus interface. Z1(F2) is the end of frame pointer of the current output frame.

To calculate the length of the current receive frame the software has to evaluate Z1-Z2+1.

In the receive channels F2 must be incremented to point to the next Z1/Z2 pair. If Z1 = Z2 and F1 = F2 the FIFO is totally empty.

### **3.4.3.5 FIFO full condition in receive channels**

Because the ISDN-B-channels and the ISDN-D-channels have no hardware based flow control there is no possibility to stop input data if a receive FIFO is full.

So there is no FIFO full condition implemented in the HFC-S PCI. The HFC-S PCI assumes that the FIFOs are so deep that the host processor hard- and software is able to avoid any overflow of the receive FIFOs. Overflow conditions are again more than 31 input frames (15 frames for D-channel) or a real overflow of the FIFO because of excessive data.

Because HDLC procedures only know a window size of 7 frames no more than 7 frames are sent without software intervention. Due to the great size of the FIFOs of the HFC-S PCI it is easy to poll counters in the Memory Window even in large time intervalls without having to fear a FIFO overflow condition.

However to avoid any undetected FIFO overflows the software driver should check the number of frames in the FIFO which is F1-F2. An overflow exists if the number (F1-F2) is less than the number in the last reading even if there was no reading of a frame in between.

After a detected FIFO overflow condition this FIFO must be reset.

### **3.4.3.6 FIFO initialisation**

All counters Z1, Z2, F1 and F2 of all FIFOs are initialized to all 1s after a RESET.

Then the result is  $Z1 = Z2 = 1FFFh$  and  $F1 = F2 = 1Fh$  for the B-channels and  $Z1 = Z2 = 1FFh$  and  $F1 = F2 = 1Fh$  for the D-channel. This information is written in the Memory Window for initialisation.

Please mask bit 4 of D-channel from counter F1, F2.

The same initialisation is done if the bit 3 in the CIRM register is set (soft reset).

During initialisation phase the HFC-S PCI must not be accessed. Bit 1 of the STATUS register is cleared to '0' to indicate that the initialisation phase has been finished.

### **3.4.4 Transparent mode of HFC-S PCI**

You can switch off HDLC operation for each B-channel independently. There is one bit for each B-channel in the CTMT control register. If this bit is set data in the FIFO is sent directly to the S/T or GCI/IOM2 bus interface and data from the S/T or GCI/IOM2 bus interface is sent directly to the FIFO.

Be sure to switch into transparent mode only if  $F1=F2$ . Being in transparent mode the Fx counters remain unchanged. Z1 and Z2 are the input and output pointers respectively. Because  $F1=F2$  both Z-counters are always accessible and have valid data.

If a send FIFO channel changes to FIFO empty condition no CRC is generated and the last data byte written into the FIFO is repeated until there is new data.

In receive channels there is no check on flags or correct CRCs and no status byte is added.

The byte boundaries are not arbitrary like in HDLC mode where byte synchronisation is achieved with HDLC-flags. The data is just the same as it comes from the S/T or GCI/IOM2 bus interface or is sent to this.

Send and receive transparent data can be handled in two ways. The usual way is transmitting B-channel data with the LSB first as it is usual in HDLC mode. The second way is sending the bytes in reverse bit order as it is usual for PWM data. So the first bit is the MSB. The bit order can be reversed by setting the corresponding bits in the CIRM register.

## 4 Register bit description

### 4.1 Register bit description of S/T section

Name	Addr.	Bits	r/w	Function
STATES	C0h	3..0	r w	binary value of actual state (NT: Gx, TE: Fx) prepare for new state xxxx
		4	w	'1' loads the prepared state (bit 3..0) and stops the state machine. This bit needs to be set for a minimum period of 5.21µs and must be cleared by software. (reset default) '0' enables the state machine. After writing an invalid state the state machine goes to deactivated state (G1, F2)
		5	w	'0' prepare deactivation '1' prepare activation
		6	w	'1' start activation/deactivation as selected by bit 5 This bit is automatically cleared after activation/deactivation.
		7	w	'0' no operation '1' in NT mode allows transition from G2 to G3. This bit is automatically cleared after the transition.

 **important!**

The state machine is stuck to '0' after a reset. Writing a '0' to bit 4 of the STATES register restarts the state machine.

In this state the HFC-S PCI sends no signal on the S/T-line and it is not possible to activate it by incoming INFOx.

**NT mode:** The NT state machine does not change automatically from G2 to G3 if the TE side sends INFO3 frames. This transition must be activated each time by bit 7 of the STATES register.

Name	Addr.	Bits	r/w	Function
SCTRL	C4h			B-channel enable
		0	w	'0' B1 send data disabled (permanent 1 sent in activated states, reset default) '1' B1 data enabled
		1	w	'0' B2 send data disabled (permanent 1 sent in activated states, reset default) '1' B2 data enabled
		2	w	S/T interface mode '0' TE mode (reset default) '1' NT mode
		3	w	D-channel priority '0' high priority 8/9 (reset default) '1' low priority 10/11
		4	w	S/Q bit transmission '0' S/Q bit disable (reset default) '1' S/Q bit and multiframe enable
		5	w	'0' normal operation (reset default) '1' send 96kHz transmit test signal (alternating zeros)
		6	w	TX_LO line setup This bit must be configured depending on the used S/T module and circuitry to match the 400Ω pulse mask test. '0' capacitive line mode (reset default) '1' non capacitive line mode
		7	w	Power down '0' power up, oscillator active (reset default) '1' power down, oscillator stopped
SCTRL_E	C8h	0	w	Power down mode bit '0' S/T awake disable (reset default) Power up can only be programmed by register access (SCTRL bit 7). '1' S/T awake enable. Oscillator starts on every non INFO0 S/T signal.
		1	w	must be '0'
		2	w	D reset '0' normal operation (reset default) '1' D bits are forced to '1'
		3	w	D_U enable '0' normal operation (reset default) '1' D channel is always send enabled regardless of E receive bit
		6..4	w	must be '0'
		7	w	'0' normal operation (reset default) '1' B1/B2 are exchanged in the S/T interface

Name	Addr.	Bits	r/w	Function
SCTRL_R	CCh	0	w	B1-channel receive enable
		1	w	B2-channel receive enable '0' B-receive bits are forced to '1' '1' normal operation
		7..2	w	unused
SQ_REC	D0h	3..0	r	TE mode: S bits (bit 3 = S1, bit 2 = S2, bit 1 = S3, bit 0 = S4) NT mode: Q bits (bit 3 = Q1, bit 2 = Q2, bit 1 = Q3, bit 0 = Q4)
		4	r	'1' a complete S or Q multiframe has been received Reading SQ_REC clears this bit.
		6..5	r	not defined
		7	r	'1' ready to send a new S or Q multiframe Writing to SQ_SEND clears this bit.
SQ_SEND	D0h	3..0	w	TE mode: Q bits (bit 3 = Q1, bit 2 = Q2, bit 1 = Q3, bit 0 = Q4) NT mode: S bits (bit 3 = S1, bit 2 = S2, bit 1 = S3, bit 0 = S4)
		7.4	w	not defined
CLKDEL	DCh	3..0	w	TE: 4 bit delay value to adjust the 2 bit delay time between receive and transmit direction. The delay of the external S/T-interface circuit can be compensated. The lower the value the smaller the delay between receive and transmit direction (see also Figure 14) NT: Data sample point. The lower the value the earlier the input data is sampled. The steps are 163ns.
		6.4	w	NT mode only early edge input data shaping Low pass characteristic of extended bus configurations can be compensated. The lower the value the earlier input data pulse is sampled. No compensation means a value of 6 (110b). Step size is the same as for bits 3-0.
		7	w	unused

**👉 note!**

The register is not initialized with a '0' after reset. The register should be initialized as follows before activating the TE/NT state machine:

TE mode: 0Dh .. 0Fh

NT mode: 6Ch



## 4.2 Register bit description of GCI/IOM2 bus section

### Timeslots for transmit direction

Name	Addr.	Bits	r/w	Function
B1_SSL	80h	4..0	w	select GCI/IOM2 bus transmission slot (0..31)
B2_SSL	84h	5	w	unused
AUX1_SSL AUX2_SSL	88h 8Ch	6	w	select GCI/IOM2 bus data lines '0' STIO1 output '1' STIO2 output
		7	w	transmit channel enable for GCI/IOM2 bus '0' disable (reset default) '1' enable

 **important!**

Enabling more than one channel on the same slot causes undefined output data.

### Timeslots for receive direction

Name	Addr.	Bits	r/w	Function
B1_RSL	90h	4..0	w	select GCI/IOM2 bus receive slot (0..31)
B2_RSL	94h	5	w	unused
AUX1_RSL AUX2_RSL	98h 9Ch	6	w	select GCI/IOM2 bus data lines '0' STIO2 is input '1' STIO1 is input
		7	w	receive channel enable for GCI/IOM2 bus '0' disable (reset default) '1' enable

### Data registers

Name	Addr.	Bits	r/w	Function
B1_D B2_D AUX1_D AUX2_D	A0h A4h A8h ACh	0..7	r/w	read/write data registers for selected timeslot data

 **note!**

If the data registers AUX1\_D and AUX2\_D are not overwritten, the transmission slots AUX1\_SSL and AUX2\_SSL mirror the data received in AUX1\_RSL and AUX2\_RSL slots. This is useful for an internal connection between two CODECs. This mirroring is disabled by setting bit 1 in MST\_EMOD register

Name	Addr.	Bits	r/w	Function
MST_MODE	B8h	0	w	GCI/IOM2 bus mode '0' slave (reset default) (C4IO and F0IO are inputs) '1' master (C4IO and F0IO are outputs)
		1	w	polarity of C4- and C2O-clock '0' F0IO is sampled on negative clock transition '1' F0IO is sampled on positive clock transition
		2	w	polarity of F0-signal '0' F0 positive pulse '1' F0 negative pulse
		3	w	duration of F0-signal '0' F0 active for one C4-clock (244ns) (reset default) '1' F0 active for two C4-clocks (488ns)
		5, 4	w	time slot for codec-A signal F1_A '00' B1 receive slot '01' B2 receive slot '10' AUX1 receive slot '11' signal C2O → pin F1_A (C2O is 2048 kHz clock)
		7, 6	w	time slot for codec-B signal F1_B '00' B1 receive slot '01' B2 receive slot '10' AUX1 receive slot '11' AUX2 receive slot

The pulse shape and polarity of the codec signals F1\_A and F1\_B is the same as the pulse shape of the F0IO signal. The polarity of C2O can be changed by bit 1.

RESET sets register MST\_MODE to all '0's.

Name	Addr.	Bits	r/w	Function																												
MST_EMOD	B4h	0	w	slow down C4IO clock adjustment (see Figure 17) '0' C4IO clock is adjusted in the 31th time slot twice for one half clock cycle (reset default) '1' C4IO clock is adjusted in the 31th time slot once for one half clock cycle																												
		1	w	enable/disable AUX channel mirroring '0' normal operation (reset default) '1' disable AUX channel data mirroring																												
		2	w	unused																												
		5..3	w	select D-channel data flow (see also: CONNECT register) <table style="margin-left: 20px; border: none;"> <tr> <td></td> <td style="text-align: center;">destination</td> <td></td> <td style="text-align: center;">source</td> </tr> <tr> <td>bit 3:</td> <td>'0' D-HFC</td> <td style="text-align: center;">←</td> <td>D-S/T</td> </tr> <tr> <td></td> <td>'1' D-HFC</td> <td style="text-align: center;">←</td> <td>D-GCI/IOM2</td> </tr> <tr> <td>bit 4:</td> <td>'0' D-S/T</td> <td style="text-align: center;">←</td> <td>D-HFC</td> </tr> <tr> <td></td> <td>'1' D-S/T</td> <td style="text-align: center;">←</td> <td>D-GCI/IOM2</td> </tr> <tr> <td>bit 5:</td> <td>'0' D-GCI/IOM2</td> <td style="text-align: center;">←</td> <td>D-HFC</td> </tr> <tr> <td></td> <td>'1' D-GCI/IOM2</td> <td style="text-align: center;">←</td> <td>D-S/T</td> </tr> </table>		destination		source	bit 3:	'0' D-HFC	←	D-S/T		'1' D-HFC	←	D-GCI/IOM2	bit 4:	'0' D-S/T	←	D-HFC		'1' D-S/T	←	D-GCI/IOM2	bit 5:	'0' D-GCI/IOM2	←	D-HFC		'1' D-GCI/IOM2	←	D-S/T
			destination		source																											
		bit 3:	'0' D-HFC	←	D-S/T																											
			'1' D-HFC	←	D-GCI/IOM2																											
bit 4:	'0' D-S/T	←	D-HFC																													
	'1' D-S/T	←	D-GCI/IOM2																													
bit 5:	'0' D-GCI/IOM2	←	D-HFC																													
	'1' D-GCI/IOM2	←	D-S/T																													
6	w	unused																														
7	w	enable GCI/IOM2 write slots '0' disable GCI/IOM2 write slots; slot #2 and slot #3 may be used for normal data '1' enables slot #2 and slot #3 as master, D- and C/I-channel																														
C/I	08h	3..0	r/w	on read: indication on write: command																												
		7..4		unused																												
TRxR	0Ch	0	r	'1' monitor receive ready (2 bytes received) This bit is reset after read of second monitor byte (MON2_D)																												
		1	r	'1' Monitor transmitter ready Writing on MON2_D starts transmission and resets this bit.																												
		5..2	r	reserved																												
		6	r	STIO2 in																												
		7	r	STIO1 in																												

RESET sets register MST\_EMOD to all '0's.

### 4.3 Register bit description of CONNECT register

Name	Addr.	Bits	r/w	Function
CONNECT	BCh	2..0	w	select B1-channel data flow destination                      source bit 0: '0' B1-HFC                      ← B1-S/T '1' B1-HFC                      ← B1-GCI/IOM2 bit 1: '0' B1-S/T                      ← B1-HFC '1' B1-S/T                      ← B1-GCI/IOM2 bit 2: '0' B1-GCI/IOM2                ← B1-HFC '1' B1-GCI/IOM2                ← B1-S/T
		5..3	w	select B2-channel data flow destination                      source bit 3: '0' B2-HFC                      ← B2-S/T '1' B2-HFC                      ← B2-GCI/IOM2 bit 4: '0' B2-S/T                      ← B2-HFC '1' B2-S/T                      ← B2-GCI/IOM2 bit 5: '0' B2-GCI/IOM2                ← B2-HFC '1' B2-GCI/IOM2                ← B2-S/T
		7..6	w	unused

RESET sets CONNECT register to all '0's.

The following figure shows the different options for switching the B-channels with the CONNECT register.

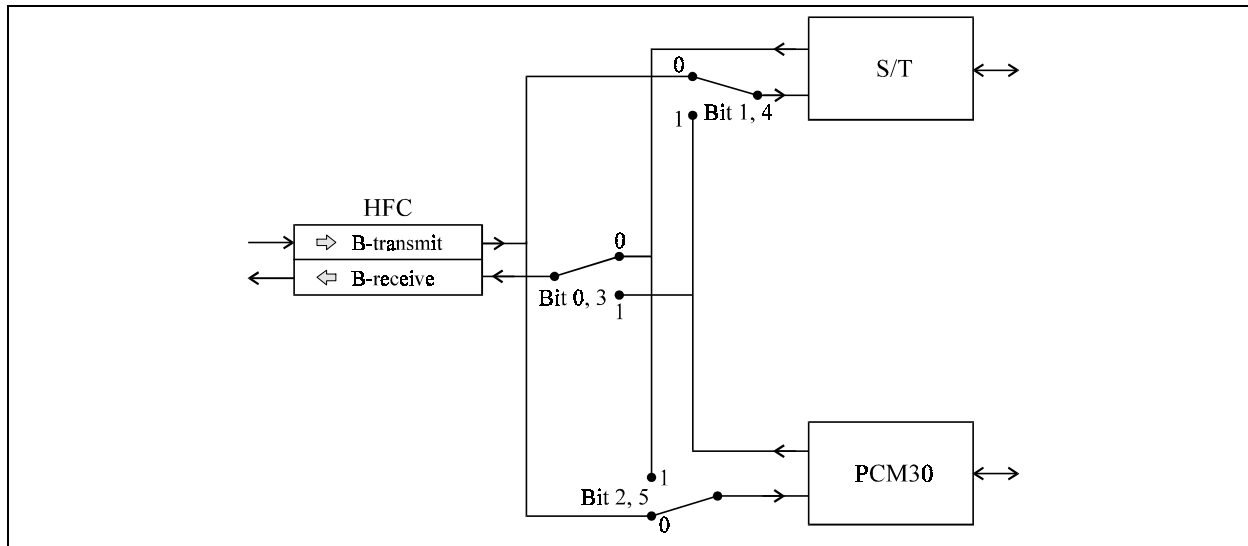


Figure 7: Function of the CONNECT register bits

**4.4 Register bit description of auxiliary and cross data registers**

<b>Name</b>	<b>Addr.</b>	<b>Bits</b>	<b>r/w</b>	<b>Function</b>
CIRM	60h	2..0	w	defines the length of the auxiliary port access: Value    Cycle time (AUX_WR or AUX_RD low) 000b    1    PCI-Clock 001b    3    PCI-Clocks 010b    5    PCI-Clocks 011b    7    PCI-Clocks 100b    9    PCI-Clocks 101b    11   PCI-Clocks 110b    13   PCI-Clocks 111b    15   PCI-Clocks
		3	w	soft reset, similar as hardware reset; the registers CIP, CIRM and CTMT are not changed. The PCI interface is not reset. The reset is active until the bit is cleared. '0' deactivate reset (reset default) '1' activate reset
		5..4	w	must be '0'
		6	w	select bit order for B1 channel '0'    normal read/write data operation '1'    reverse bit order read/write data operation
		7	w	select bit order for B2 channel '0'    normal read/write data operation '1'    reverse bit order read/write data operation
FIFO_EN	44h	5..0	w	FIFO enable/disable ('1' = enable (reset default)) Bit    FIFO 0    B1-transmit 1    B1-receive 2    B2-transmit 3    B2-receive 4    D-transmit 5    D-receive The enable/disable change becomes valid between 0 and 250µs after the bit has been written. All PCI bus accesses and FIFO activities are disabled for the selected FIFOs. To avoid unnecessary PCI transfers all unused FIFOs should be disabled. <b>At least one FIFO (usually D-receive) must be enabled.</b>
		7..6	w	unused, should be '0'

Name	Addr.	Bits	r/w	Function
CTMT	64h	0	w	HDLC/transparent mode for B1-channel '0' HDLC mode (reset default) '1' transparent mode
		1	w	HDLC/transparent mode for B2-channel '0' HDLC mode (reset default) '1' transparent mode
		4..2	w	select timer (bit 4 = MSB) timer '000' off '001' 3.125ms '010' 6.25ms '011' 12.5ms '100' 25ms '101' 50ms '110' 400ms '111' 800ms
		5	w	timer reset mode '0' reset timer by CTMT bit 7 (reset default) '1' automatically reset timer at each access to HFC-S PCI
		6	w	ignored
		7	w	reset timer '1' reset timer This bit is automatically cleared.
		CHIP_ID	58h	0
3..1	r			reserved
7..4	r			Chip identification 0011b HFC-S PCI
B_MODE	4Ch	1..0	w	unused
		2	w	in 64 kbit/s mode: bit is ignored in 56 kbit/s mode: value of the LSB in 7-bit mode
		3	w	unused
		4	w	56 kbit/s mode selection bit for B1-channel '0' 64 kbit/s mode (reset default) '1' 56 kbit/s mode
		5	w	56 kbit/s mode selection bit for B2-channel '0' 64 kbit/s mode (reset default) '1' 56 kbit/s mode
		6	w	'0' Data not inverted for B1-channel (reset default) '1' Data inverted for B1-channel
		7	w	'0' Data not inverted for B2-channel (reset default) '1' Data inverted for B2-channel

Name	Addr.	Bits	r/w	Function
INT_M1	68h	0	w	interrupt mask for channel B1 in transmit direction
		1	w	interrupt mask for channel B2 in transmit direction
		2	w	interrupt mask for channel D in transmit direction
		3	w	interrupt mask for channel B1 in receive direction
		4	w	interrupt mask for channel B2 in receive direction
		5	w	interrupt mask for channel D in receive direction
		6	w	interrupt mask for state change of TE/NT state machine
		7	w	interrupt mask for timer

For mask bits a '1' enables and a '0' disables interrupt. RESET clears all bits to '0'.

Name	Addr.	Bits	r/w	Function
INT_M2	6Ch	0	w	interrupt mask for processing/non processing phase transition
		1	w	interrupt mask for GCI I-change
		2	w	interrupt mask for GCI monitor receive
		3	w	enable for interrupt output ('1' = enable)
		6..4	w	unused
		7	w	PMESEL '0' PME triggered on D-channel receive int '1' PME triggered on S/T interface state change

For mask bits a '1' enables and a '0' disables interrupt. RESET clears all bits to '0'.

Name	Addr.	Bits	r/w	Function
TRM	48h	1..0	w	interrupt in transparent mode is generated if Z1 in receive FIFOs or Z2 in transmit FIFOs change from: 00: x xxxx x011 1111 → x xxxx x100 0000 01: x xxxx 0111 1111 → x xxxx 1000 0000 10: x xxx0 1111 1111 → x xxx1 0000 0000 11: x 0111 1111 1111 → x 1000 0000 0000
		4..2	w	must be '0'
		5	w	E → B2 receive channel When set the E receive channel of the S/T interface is connected to the B2 receive channel.
		6	w	B1+B2 mode '0' normal operation (reset default) '1' B1+B2 are combined to one HDLC or transparent channel. All settings for data shape and connect are derived from B1.
		7	w	IOM test loop When set MST output data is looped to the MST input.

Name	Addr.	Bits	r/w	Function
INT_S1	78h	0	r	B1-channel interrupt status in transmit direction
		1	r	B2-channel interrupt status in transmit direction in HDLC mode: '1' a complete frame has been transmitted, the frame counter F2 has been incremented in transparent mode: '1' interrupt as selected in TRM register bits 1..0
		2	r	D-channel interrupt status in transmit direction '1' a complete frame was transmitted, the frame counter F2 was incremented
		3	r	B1-channel interrupt status in receive direction
		4	r	B2-channel interrupt status in receive direction in HDLC mode: '1' a complete frame has been transmitted, the frame counter F1 has been incremented in transparent mode: '1' interrupt as selected in TRM register bits 1..0
		5	r	D-channel interrupt status in receive direction '1' a complete frame was received, the frame counter F1 was incremented
		6	r	TE/NT state machine interrupt status '1' state of state machine changed
		7	r	timer interrupt status '1' timer is elapsed
INT_S2	7Ch	0	r	processing/non processing transition interrupt status '1' The HFC-S PCI has changed from processing to non processing state.
		1	r	GCI I-change interrupt '1' a different I-value on GCI was detected
		2	r	receiver ready (RxR) of monitor channel '1' 2 monitor bytes have been received
		6..3	r	unused, '0'
		7	r	'1' fatal error: synchronisation lost. PCI performance too low for HFC-S PCI. Only soft reset recovers from this situation.

 **important!**

Reading the INT\_S1 or INT\_S2 register resets all active read interrupts in the INT\_S1 or INT\_S2 register. New interrupts may occur during read. These interrupts are reported at the next read of INT\_S1 or INT\_S2.

All interrupt bits are reported regardless of the mask registers settings (INT\_M1 and INT\_M2). The mask register settings only influence the interrupt output condition.

The interrupt output goes inactive during the read of INT\_S1 or INT\_S2. If interrupts occur during this read the interrupt line goes active immediately after the read is finished. So processors with level or transition triggered interrupt inputs can be connected.



Name	Addr.	Bits	r/w	Function
STATUS	70h	0	r	always '0'
		1	r	processing/non processing status '1' the HFC-S PCI is in processing phase (every 125µs) '0' the HFC-S PCI is not in processing phase
		2	r	processing/non processing transition interrupt status '1' The HFC-S PCI has finished internal processing phase (every 125µs)
		3	r	always '0'
		4	r	timer status '0' timer not elapsed '1' timer elapsed
		5	r	TE/NT state machine interrupt state '1' state of state machine has changed
		6	r	FRAME interrupt has occurred (any data channel interrupt) all masked D-channel and B-channel interrupts are "ored"
		7	r	ANY interrupt all masked interrupts are "ored"

Reading the STATUS register clears no bit.

## 5 Electrical characteristics

### Absolute maximum ratings

Parameter	Symbol	Rating
Supply voltage	$V_{DD}$	-0.3V to +7.0V
Input voltage	$V_I$	-0.3V to $V_{DD} + 0.3V$
Output voltage	$V_O$	-0.3V to $V_{DD} + 0.3V$
Operating temperature	$T_{opr}$	-10°C to +85°C
Storage temperature	$T_{stg}$	-40°C to +125°C

### Recommended operating conditions

Parameter	Symbol	Condition	MIN.	TYP.	MAX.
Supply voltage	$V_{DD}$	$V_{DD}=5V$	4.75V	5.0V	5.25V
		$V_{DD}=3.3V$	3.15V	3.3V	3.45V
Operating temperature	$T_{opr}$		0°C		+70°C

### Electrical characteristics for 5V power supply

 $V_{DD} = 4.75V$  to  $5.25V$ ,  $T_{opr} = 0^\circ C$  to  $+70^\circ C$ 

Parameter	Symbol	Condition	TTL level			CMOS level		
			MIN.	TYP.	MAX.	MIN.	TYP.	MAX.
Input LOW voltage	$V_{IL}$				0.8V			1.0V
Input HIGH voltage	$V_{IH}$		2.0V			3.5V		
Output LOW voltage	$V_{OL}$				0.4V			0.4V
Output HIGH voltage	$V_{OH}$		4.3V			4.3V		
Output leakage current	$ I_{OZ} $	High Z			10 $\mu A$			10 $\mu A$
Pull-up resistor input current	$ I_{IL} $	$V_I = V_{SS}$		50 $\mu A$			50 $\mu A$	

### Electrical characteristics for 3.3V power supply

 $V_{DD} = 3.15V$  to  $3.45V$ ,  $T_{opr} = 0^\circ C$  to  $+70^\circ C$ 

Parameter	Symbol	Condition	TTL level			CMOS level		
			MIN.	TYP.	MAX.	MIN.	TYP.	MAX.
Input LOW voltage	$V_{IL}$				0.8V			1.0V
Input HIGH voltage	$V_{IH}$		2.0V			2.3V		
Output LOW voltage	$V_{OL}$				0.4V			0.4V
Output HIGH voltage	$V_{OH}$		2.4V			2.4V		

**DC current consumption of HFC-S PCI**

25°C ambient temperature, 5 V operating voltage, 33 MHz PCI clock

<b>Condition</b>	<b>MIN.</b>	<b>TYP.</b>	<b>MAX.</b>
PCI master, PCM master (full operational)		24,5 mA	
power down, no S/T awake (12.288 MHz OSC off)		15 mA	
All pins GND (except power supply)			1 mA

**I/O Characteristics**

<b>Input</b>	<b>Interface Level</b>
AD0-31	PCI
PAR	PCI
C/BE0-3	PCI
RST#	PCI
FRAME#	PCI
IRDY#	PCI
TRDY#	PCI
STOP#	PCI
IDSEL	PCI
DEVSEL#	PCI
GNT#	PCI
PERR#	PCI
DAUX0-7	TTL
C4IO	TTL, internal pull-up resistor
F0IO	TTL, internal pull-up resistor
STIO1-2	TTL, internal pull-up resistor
EE_SDA	TTL, internal pull-up resistor
EE_SCL/EN	TTL, internal pull-up resistor

Output	Driver Capability		
	Low		High
	0.4V	0.6V	V <sub>DD</sub> - 0.4V
AD0-31 <sup>*)</sup>	6mA		3mA
PAR <sup>*)</sup>	6mA		3mA
C/BE0-3 <sup>*)</sup>	6mA		3mA
FRAME# <sup>*)</sup>	6mA		3mA
IRDY# <sup>*)</sup>	6mA		3mA
TRDY# <sup>*)</sup>	6mA		3mA
STOP# <sup>*)</sup>	6mA		3mA
DEVSEL# <sup>*)</sup>	6mA		3mA
REQ# <sup>*)</sup>	6mA		3mA
PERR# <sup>*)</sup>	6mA		3mA
SERR# <sup>*)</sup>	6mA		3mA
PME	2mA		1mA
INTA# <sup>*)</sup>	6mA		3mA
DAUX0-7	4mA		2mA
/AUX_WR	2mA		1mA
/AUX_RD	2mA		1mA
/ADR_WR	8mA		4mA
TX2_HI	6mA		3mA
/TX1_LO	6mA		3mA
/TX_EN	4mA		2mA
/TX2_LO	6mA		3mA
TX1_HI	6mA		3mA
ADJ_LEV	1mA		0.5mA
C4IO	8mA		4mA
F0IO	8mA		4mA
STIO1-2	8mA		4mA
F1_A-B	6mA		3mA
EE_SDA	1mA		0.5mA
EE_SCL/EN	1mA		0.5mA

<sup>\*)</sup> PCI buffer is PCI Spec. 2.1 compliant.

## 6 Timing characteristics

### 6.1 PCI bus timing

The timing characteristics of the HFC-S PCIs integrated PCI bus interface is compliant with version 2.1 of the PCI Local Bus specification.

### 6.2 GCI/IOM2 bus clock and data alignment for Mitel ST™ bus

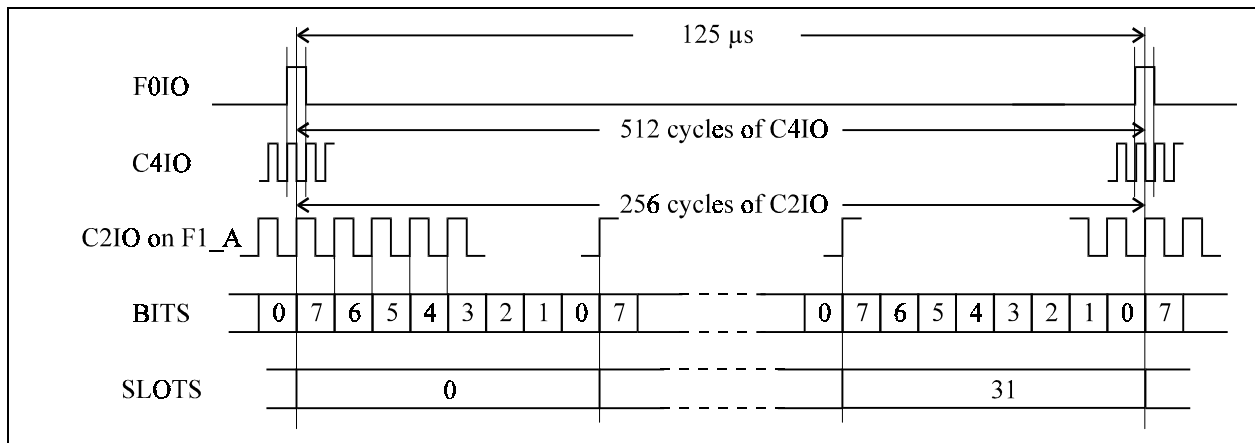
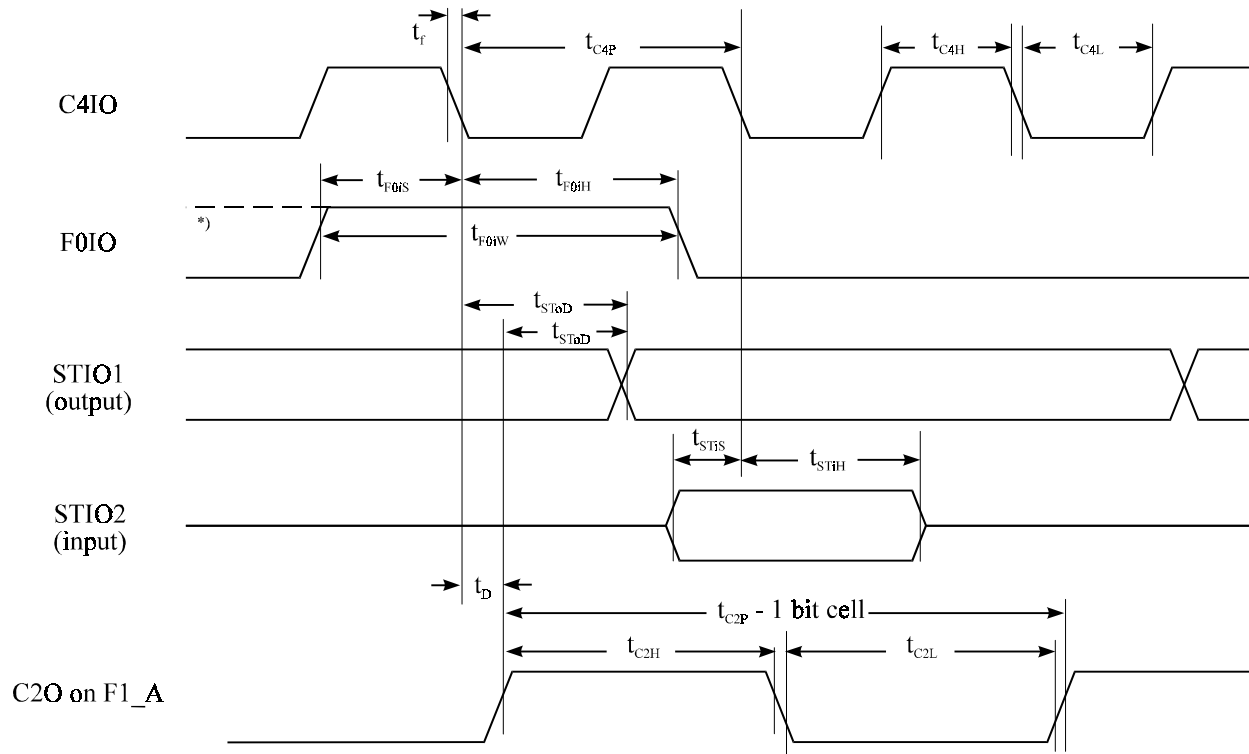


Figure 8: GCI/IOM2 bus clock and data alignment

### 6.3 GCI/IOM2 timing



Timing diagram 1: GCI/IOM2 timing

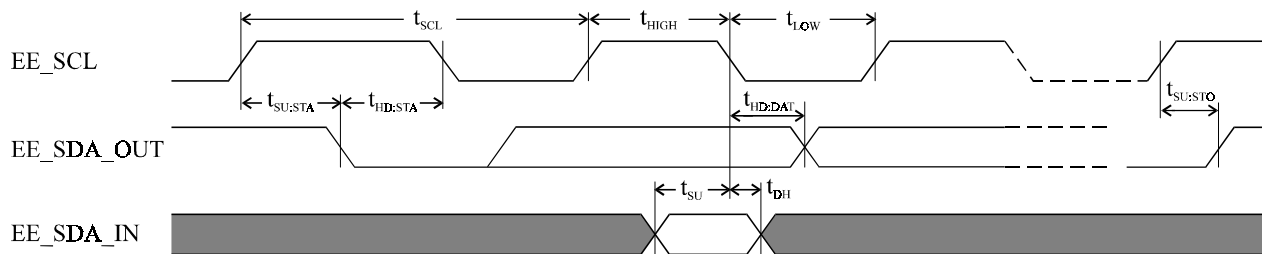
\*) F0IO starts one C4IO clock earlier if bit 3 in MST\_MODE register is set. If this bit is set F0IO is also awaited one C4IO clock cycle earlier.

SYMBOL	CHARACTERISTICS	MIN.	MAX
t <sub>c4P</sub>	Clock C4IO period (4.096 MHz)	243.9 ns	244.4 ns
t <sub>c4H</sub>	Clock C4IO High Width	110 ns	134 ns
t <sub>c4L</sub>	Clock C4IO Low Width	110 ns	134 ns
t <sub>c2P</sub>	Clock C2O Period	487.8 ns	488.8 ns
t <sub>c2H</sub>	Clock C2O High Width	220 ns	268 ns
t <sub>F0iS</sub>	F0IO Setup Time	50 ns	150 ns
t <sub>F0iH</sub>	F0IO Hold Time	50 ns	150 ns
t <sub>F0iW</sub>	F0IO Width	200 ns	300 ns
t <sub>SToD</sub>	STIO1 Delay Level 1 Output	20 ns	125 ns

SYMBOL	CHARACTERISTICS	MIN.	MAX
$t_{SToD}$	STIO1 Delay Level 2 Output	20 ns	125 ns
$t_{STiS}$	STIO2 Set Up Time	30 ns	
$t_{STH}$	STIO2 Hold Time	2 ns	30ns

All specifications are for 2.048 Mb/s Streams and  $f_{CLK} = 12.288$  MHz.

#### 6.4 EEPROM access



Timing diagram 2: EEPROM access

SYMBOL	CHARACTERISTICS	TYP.
$f_{SCL}$	Serial Clock Frequency	32.2 KHz *)
$t_{SCL}$	Serial Clock Period	$1 / f_{SCL}$
$t_{HD:STA}$	Start Condition Hold Time	$\frac{3}{4} t_{SCL}$
$t_{LOW}$	Clock Low Period	$\frac{1}{2} t_{SCL}$
$t_{HIGH}$	Clock High Period	$\frac{1}{2} t_{SCL}$
$t_{SU:STA}$	Start Condition Setup Time	$\frac{3}{4} t_{SCL}$
$t_{HD:DAT}$	Output Data Change after Clock ↓	10 ns
$t_{SU}$	Data In Setup Time	100 ns
$t_{DH}$	Data In Hold Time	100 ns

\*) with 33 MHz PCI clock



## 7 S/T interface circuitry

In order to comply to the physical requirements of ITU-T recommendation I.430 and considering the national requirements concerning overvoltage protection and electromagnetic compatibility (EMC), the HFC-S PCI needs some additional circuitry, which are shown in the following figures.

### 7.1 External receiver circuitry

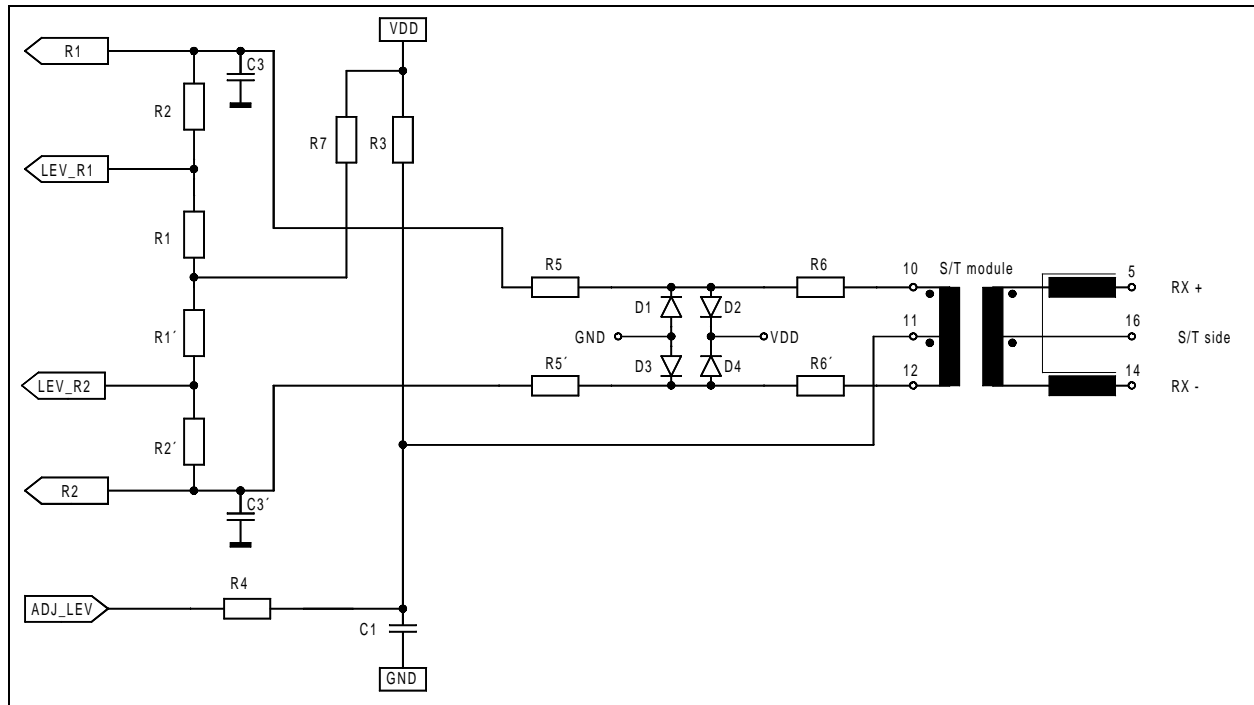


Figure 9: External receiver circuitry

#### Part list

VDD	5V	3.3V	C1	47 nF
R1, R1'	33 k $\Omega$		C3, C3'	22pF
R2, R2'	100 k $\Omega$		D1, D2	1N4148 or LL4148
R3	1 M $\Omega$	680k $\Omega$	D3, D4	1N4148 or LL4148
R4	3.9 k $\Omega$		S/T module	see Table 3 on page 52.
R5, R5'	4.7 k $\Omega$			
R6, R6'	4.7 k $\Omega$			
R7	1.8 M $\Omega$	1.2M $\Omega$		

C3, C3' are for reduction of high frequency input noise and should be located as close as possible to the HFC-S PCI.

## 7.2 External transmitter circuitry

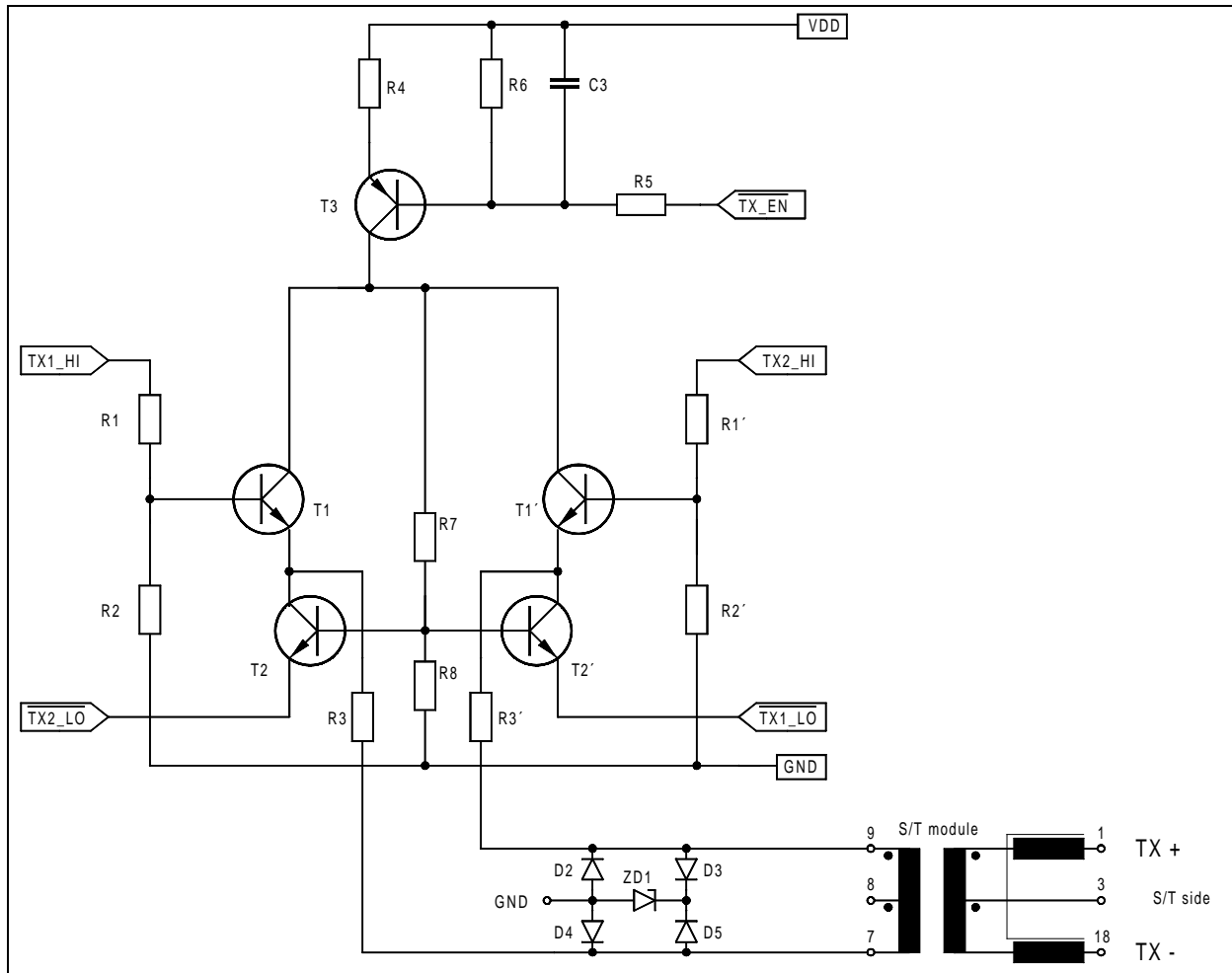


Figure 10: External transmitter circuitry

### Part List

<b>VDD</b>	<b>5V</b>	<b>3.3V</b>	<b>C3</b>	470 pF
R1	2.2 k $\Omega$ $\pm$ 1%	560 $\Omega$ $\pm$ 1%	D2, D3	1N4148 or LL4148
R2	3.0 k $\Omega$ $\pm$ 1%	3.9 k $\Omega$ $\pm$ 1%	D4, D5	1N4148 or LL4148
R3, R3' *)	18 $\Omega$	18 $\Omega$	ZD1	Z-Diode 2.7 V (e. g. BZV 55C 2V7)
R4	100 $\Omega$	50 $\Omega$	T1, T1'	BC550C, BC850C or similar
R5	5.6 k $\Omega$	3.3 k $\Omega$	T2, T2'	BC550C, BC850C or similar
R6	3.3 k $\Omega$	2.2 k $\Omega$	T3	BC560C, BC860C or similar
R7	3.3 k $\Omega$	1.8 k $\Omega$	S/T module	see Table 3 on page 52.
R8	2.2 k $\Omega$	2.2 k $\Omega$		

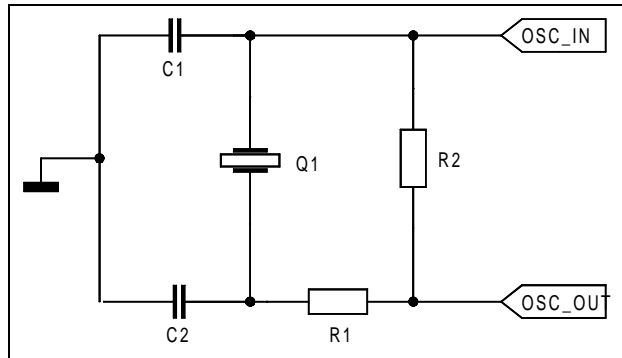
\*) value is depending on the used S/T module

<b>S/T module part number</b>	<b>manufacturer</b>
APC 56624 APC 42624  APC 5568DS (includes receiver and transmitter circuitry)	<b>Advanced Power Components</b> <i>United Kingdom</i> Phone: +44 1634-290588 Fax: +44 1634-290591 <a href="http://www.apcisdn.com">http://www.apcisdn.com</a>
FE 8131-55Z	<b>FEE GmbH</b> <i>Singapore</i> Phone: +65 741-5277 Fax: +65 741-3013 <i>Bangkok</i> Phone: +662 718-0726-30 Fax: +662 718-0712 <i>Germany</i> Phone: +49 6106-82980 Fax: +49 6106-829898
transformers: PE-64995 PE-64999 PE-65795 PE-65799 PE-68995 PE-68999 T5006 T5007 S <sub>0</sub> -modules: T5012 T5034 T5038	<b>Pulse Engineering, Inc.</b> <i>United States</i> Phone: +1-619-674-8100 Fax: +1-619-674-8262 <a href="http://www.pulseeng.com">http://www.pulseeng.com</a>
T 6040... transformers: 3-L4021-X066 3-L4025-X095 3-L5024-X028 3-L4096-X005 3-L5032-X040 S <sub>0</sub> -modules: 7-L5051-X014 7-M5051-X032 7-L5052-X102 7-M5052-X110 7-M5052-X114	<b>VAC GmbH</b> <i>Germany</i> Phone: +49 6181/ 38-0 Fax: +49 6181/ 38-2645 <a href="http://www.vacuumschmelze.de">http://www.vacuumschmelze.de</a>
transformers: ST5069 S <sub>0</sub> -modules: PT5135 ST5201 ST5202	<b>Valor Electronics, Inc.</b> <i>Asia</i> Phone: +852 2333-0127 Fax: +852 2363-6206 <i>North America</i> Phone: +1 800 31VALOR Fax: +1 619 537-2525 <i>Europe</i> Phone: +44 1727-824-875 Fax: +44 1727-824-898 <a href="http://www.valorinc.com">http://www.valorinc.com</a>

<b>S/T module part number</b>	<b>manufacturer</b>
543 76 009 00	<b>Vogt electronic AG</b> <i>Germany</i> Phone: +49 8591/ 17-0 Fax: +49 8591/ 17-240 <a href="http://www.vogt-electronic.com">http://www.vogt-electronic.com</a>
transformers UT21023 S <sub>0</sub> -modules: UT 21624 UT 28624	<b>UMEC GmbH</b> <i>Germany</i> Phone: +49 7131-7617-0 Fax: +49 7131-7617-20 <i>Taiwan</i> Phone: +886-4-3590096 Fax: +886-4-3590129 <i>United States</i> Phone: +1-310-326-7072 Fax: +1-310-326-7058 <a href="http://www.umec.de">http://www.umec.de</a>

*Table 3: S/T module part numbers and manufacturer*

### 7.3 Oscillator circuitry



**Part list:**

- Q1 12.288 MHz quartz
- R1 0..50  $\Omega$
- R2 1 M $\Omega$
- C1, C2 47 pF

Figure 11: Oscillator Circuitry

The values of C1, C2 and R1 depend on the used quartz.

For a load-free check of the oscillator frequency the C40 clock of the GCI/IOM2 bus should be measured (HFC-S PCI as master, S/T interface deactivated, 4.096 MHz frequency intended on the C4IO).

### 7.4 EEPROM circuitry

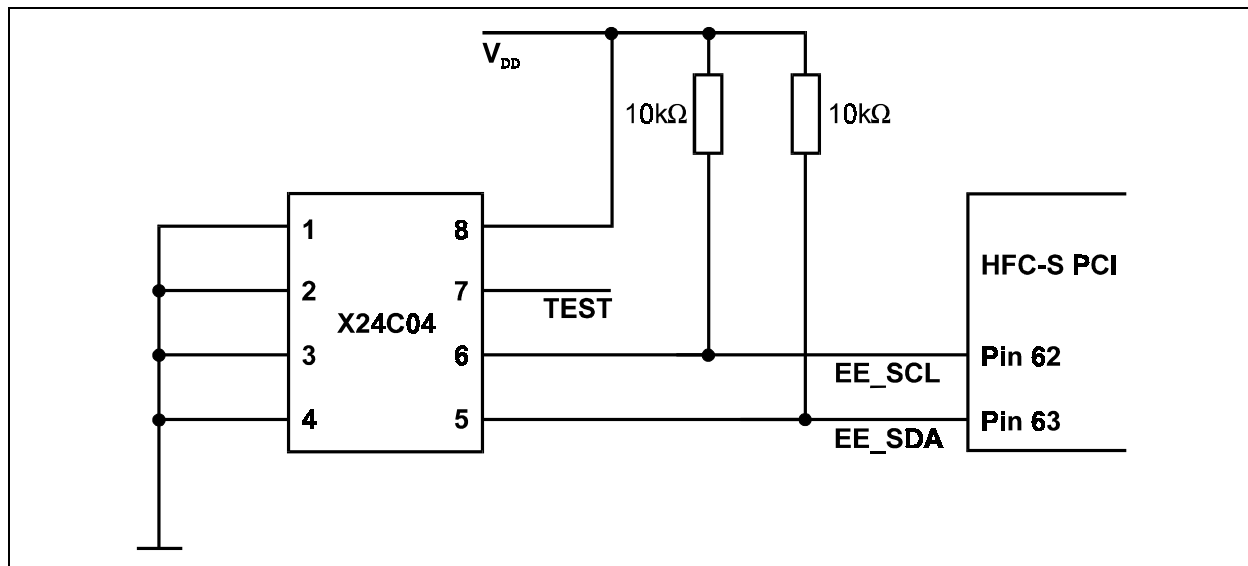


Figure 12: EEPROM circuitry

### 7.5 PME pin circuitry

The PME pin (pin 53) on the HFC-S PCI is high active. To connect it to the low active PME# pin on the PCI bus, the following circuitry is necessary.

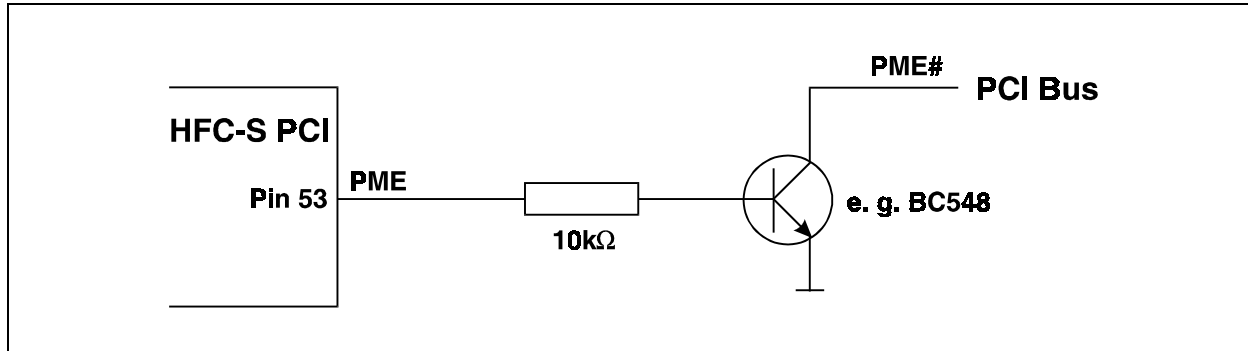


Figure 13: PME pin circuitry

## 8 State matrices for NT and TE

### 8.1 S/T interface activation/deactivation layer 1 for finite state matrix for NT

Event	State name	Reset	Deactive	Pending activation	Active	Pending deactivation
	State number	G0	G1	G2	G3	G4
	INFO sent	INFO 0	INFO 0	INFO 2	INFO 4	INFO 0
State machine release (Note 3)		G2				
Activate request		G2 (Note 1)	G2 (Note 1)			G2 (Note 1)
Deactivate request		—		Start timer T2 G4	Start timer T2 G4	
Expiry T2 (Note 2)		—	—	—	—	G1
Receiving INFO 0		—	—	—	G2	G1
Receiving INFO 1		—	G2 (Note 1)	—	/	—
Receiving INFO 3		—	/	G3 (Note 1)	—	—
Lost framing		—	/	/	G2	—

Table 4: Activation/deactivation layer 1 for finite state matrix for NT

— No state change

/ Impossible by the definition of peer-to-peer physical layer procedures or system internal reasons

| Impossible by the definition of the physical layer service

Note 1: Timer 1 (T1) is not implemented in the HFC-S PCI and must be implemented in software.

Note 2: Timer 2 (T2) prevents unintentional reactivation. Its value is 32ms (256 x 125µs). This implies that a TE has to recognize INFO 0 and to react on it within this time.

Note 3: After reset the state machine is fixed to G0.

## 8.2 Activation/deactivation layer 1 for finite state matrix for TE

		State name	Reset	Sensing	Deactivated	Awaiting signal	Identifying input	Synchronized	Activated	Lost framing
		State number	F0	F2	F3	F4	F5	F6	F7	F8
Event	Info sent	INFO 0	INFO 0	INFO 0	INFO 1	INFO 0	INFO 3	INFO 3	INFO 0	
State machine release (Note 1)		F2	/	/	/	/	/	/	/	/
Activate Request	Receiving any signal	—		F5						—
	Receiving INFO 0	—		F4						—
Expiry T3 (Note 5)		—	/	—	F3	F3	F3	—	—	—
Receiving INFO 0		—	F3	—	—	—	F3	F3	F3	F3
Receiving any signal (Note 2)		—	—	—	F5	—	/	/	—	—
Receiving INFO 2 (Note 3)		—	F6	F6	F6	F6	—	F6	F6	F6
Receiving INFO 4 (Note 3)		—	F7	F7	F7	F7	F7	—	F7	F7
Lost framing (Note 4)		—	/	/	/	/	F8	F8	—	—

Table 5: Activation/deactivation layer 1 for finite state matrix for TE

- No change, no action
- | Impossible by the definition of the layer 1 service
- / Impossible situation

### Notes

Note 1: After reset the state machine is fixed to F0.

Note 2: This event reflects the case where a signal is received and the TE has not (yet) determined whether it is INFO 2 or INFO 4.

Note 3: Bit- and frame-synchronisation achieved.

Note 4: Loss of Bit- or frame-synchronisation.

Note 5: Timer 3 (T3) is not implemented in the HFC-S PCI and must be implemented in software.



## 9 Binary organisation of the frames

### 9.1 S/T frame structure

The frame structures are different for each direction of transmission. Both structures are illustrated in Figure 14.

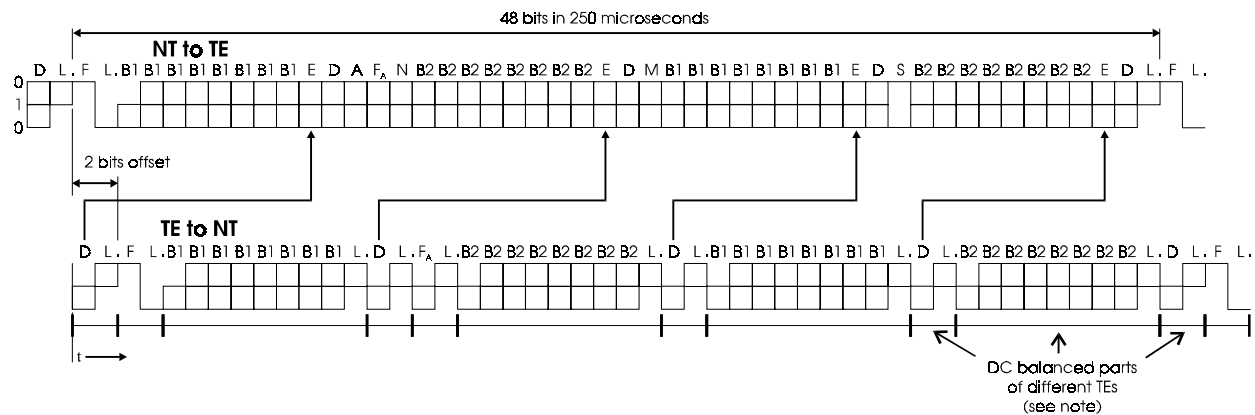


Figure 14: Frame structure at reference point S and T

F	Framing bit	N	Bit set to a binary value $N = \overline{F_A}$ (NT to TE)
L	D.C. balancing bit	B1	Bit within B-channel 1
D	D-channel bit	B2	Bit within B-channel 2
E	D-echo-channel bit	A	Bit used for activation
$F_A$	Auxiliary framing bit	S	S-channel bit
M	Multiframing bit		

**note!**

Lines demarcate those parts of the frame that are independently d.c.-balanced.

The  $F_A$  bit in the direction TE to NT is used as Q bit in every fifth frame if S/Q bit transmission is enabled (see SCTRL register).

The nominal 2-bit offset is as seen from the TE. The offset can be adjusted with the CLKDEL register in TE mode. The corresponding offset at the NT may be greater due to delay in the interface cable and varies by configuration.

HDLC-B-channel data start with the LSB, PCM-B-channel data start with the MSB.

## 9.2 GCI frame structure

The binary organisation of a single GCI channel frame is described below.

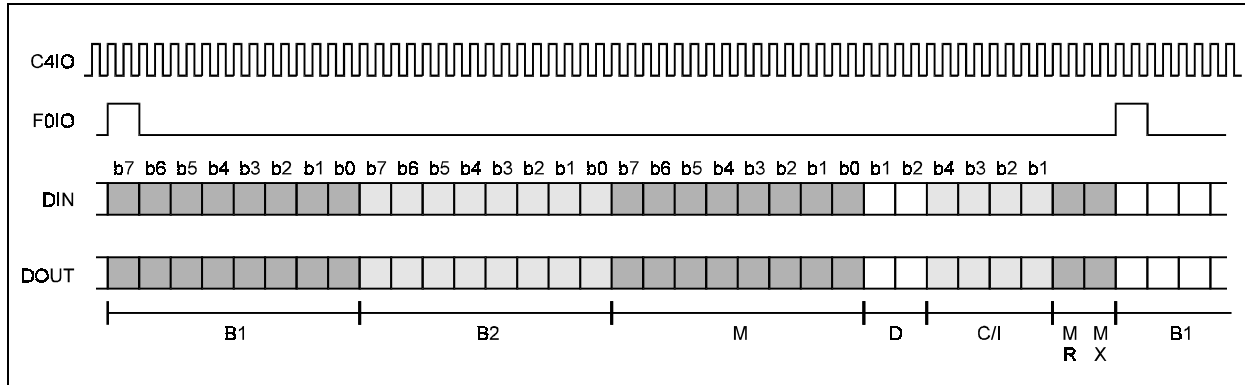


Figure 15: Single channel GCI format

- B1 B-channel 1 data
- B2 B-channel 2 data
- M Monitor channel data
- D D-channel data
- C/I Command/indication bits for controlling activation/deactivation and for additional control functions
- MR Handshake bit for monitor channel
- MX Handshake bit for monitor channel

## 10 Clock synchronisation

### 10.1 Clock synchronisation in NT-mode

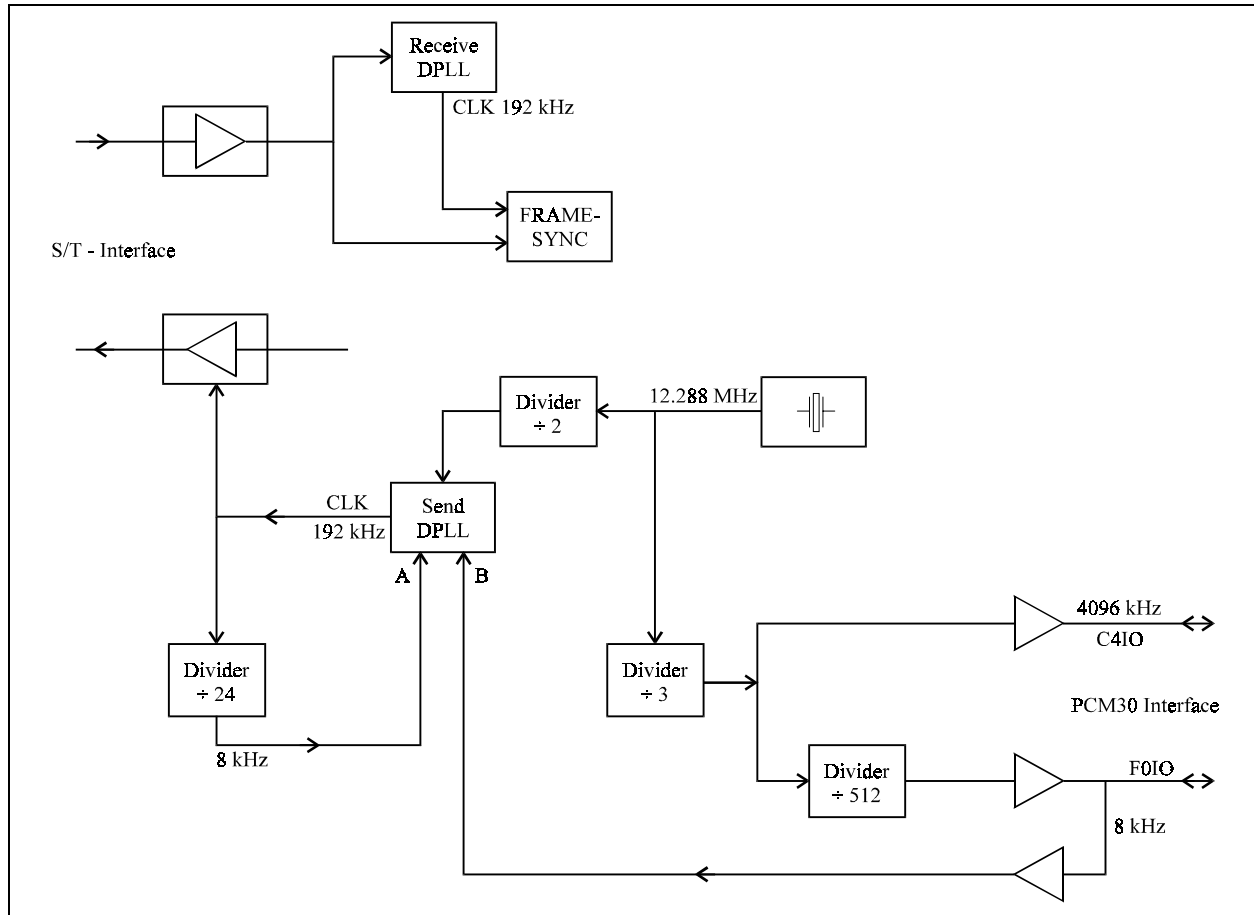


Figure 16: Clock synchronisation in NT-mode

## 10.2 Clock synchronisation in TE-mode

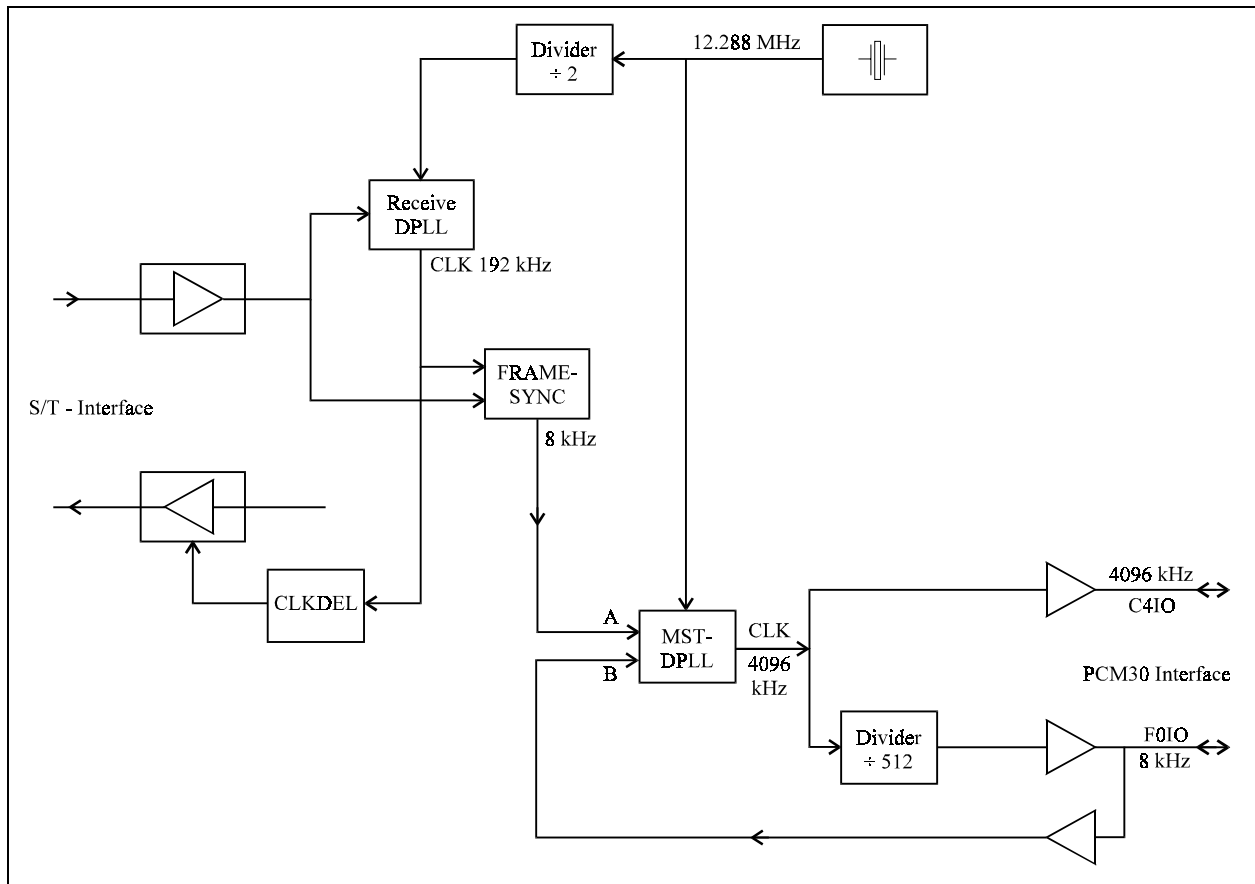


Figure 17: Clock synchronisation in TE-mode

The C4IO clock is adjusted in the 31th time slot at the GCI/IOM bus twice for one half clock cycle. This can be reduced to one adjustment of a half clock cycle. This is useful if another HFC-S, HFC-S+, HFC-SP or HFC-S PCI is connected as slave in NT mode to the GCI/IOM2 bus.

## 11 HFC-S PCI package dimensions

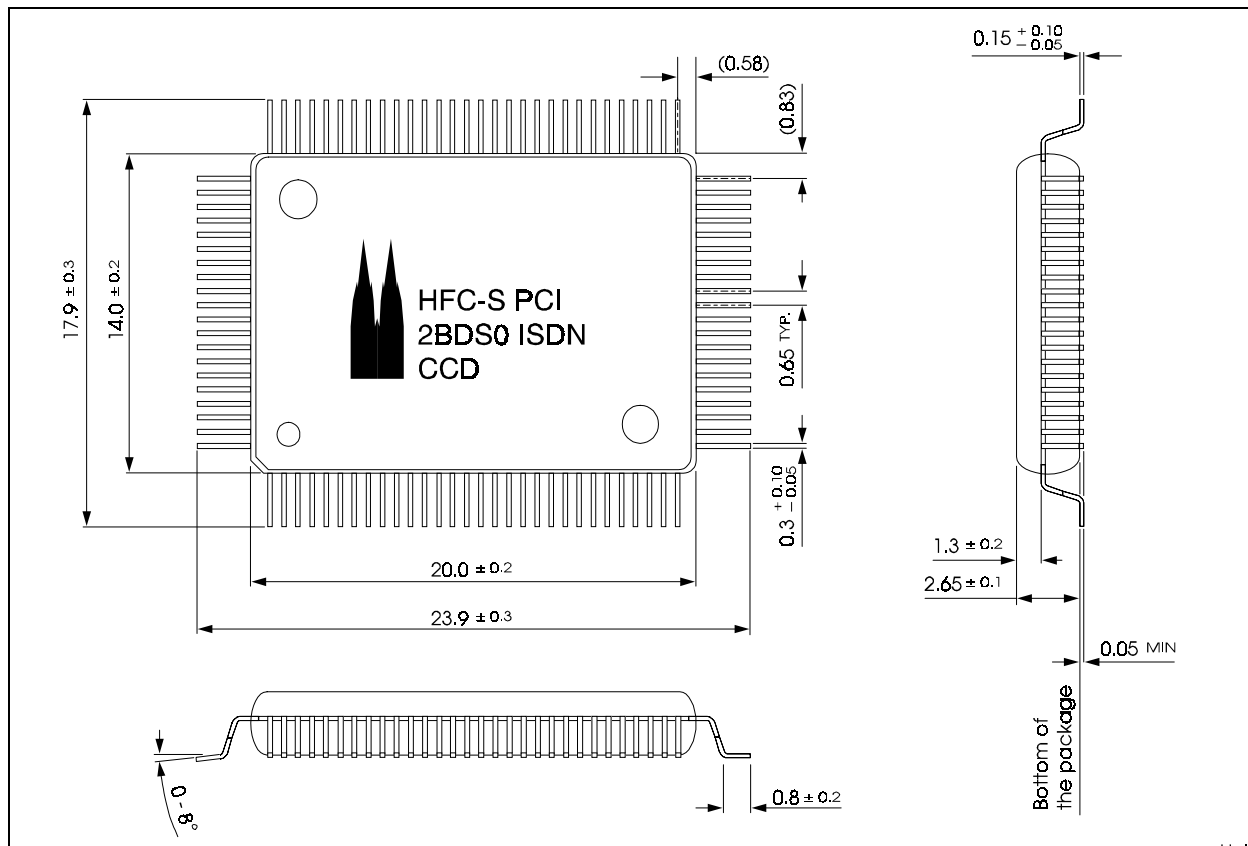
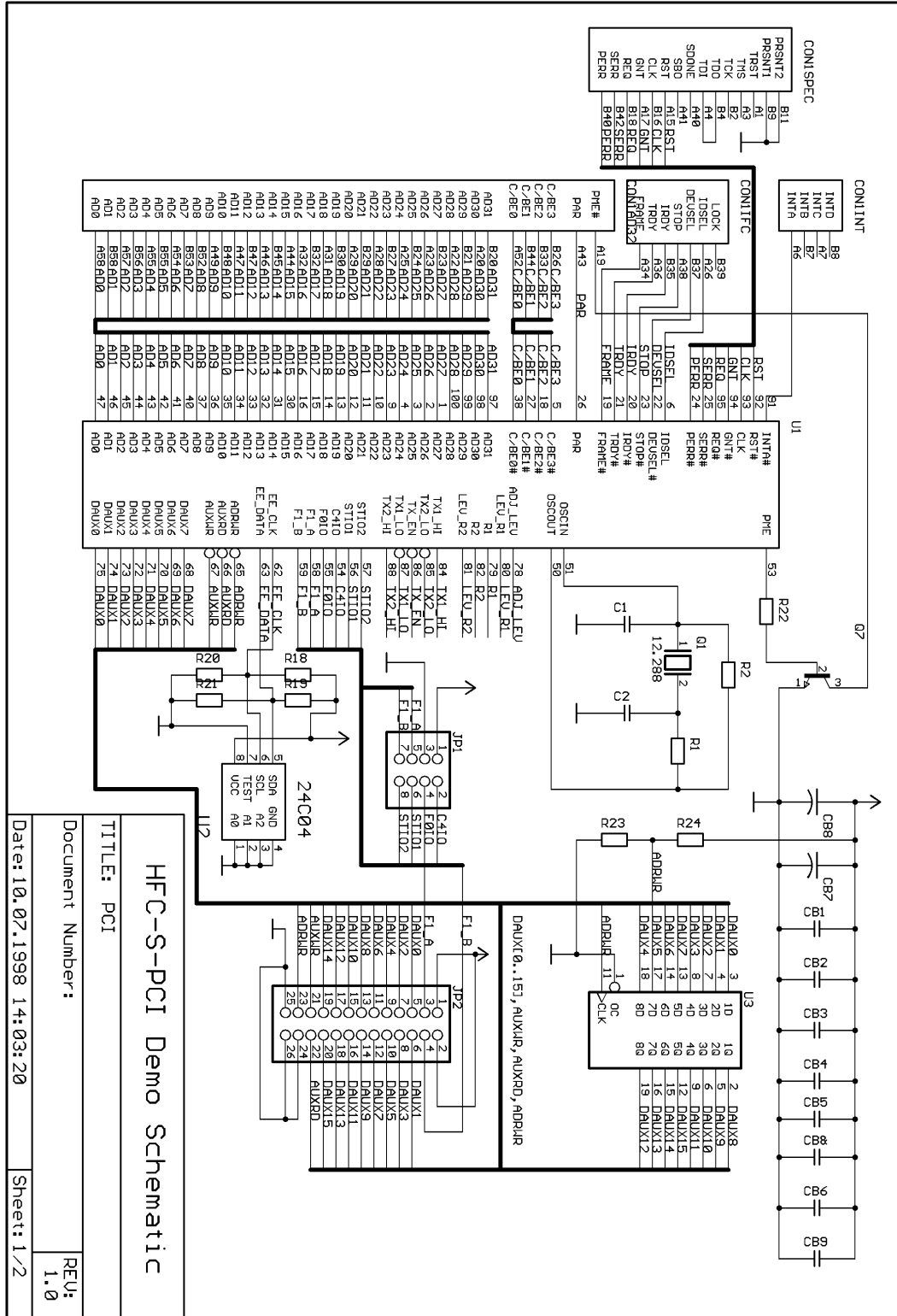
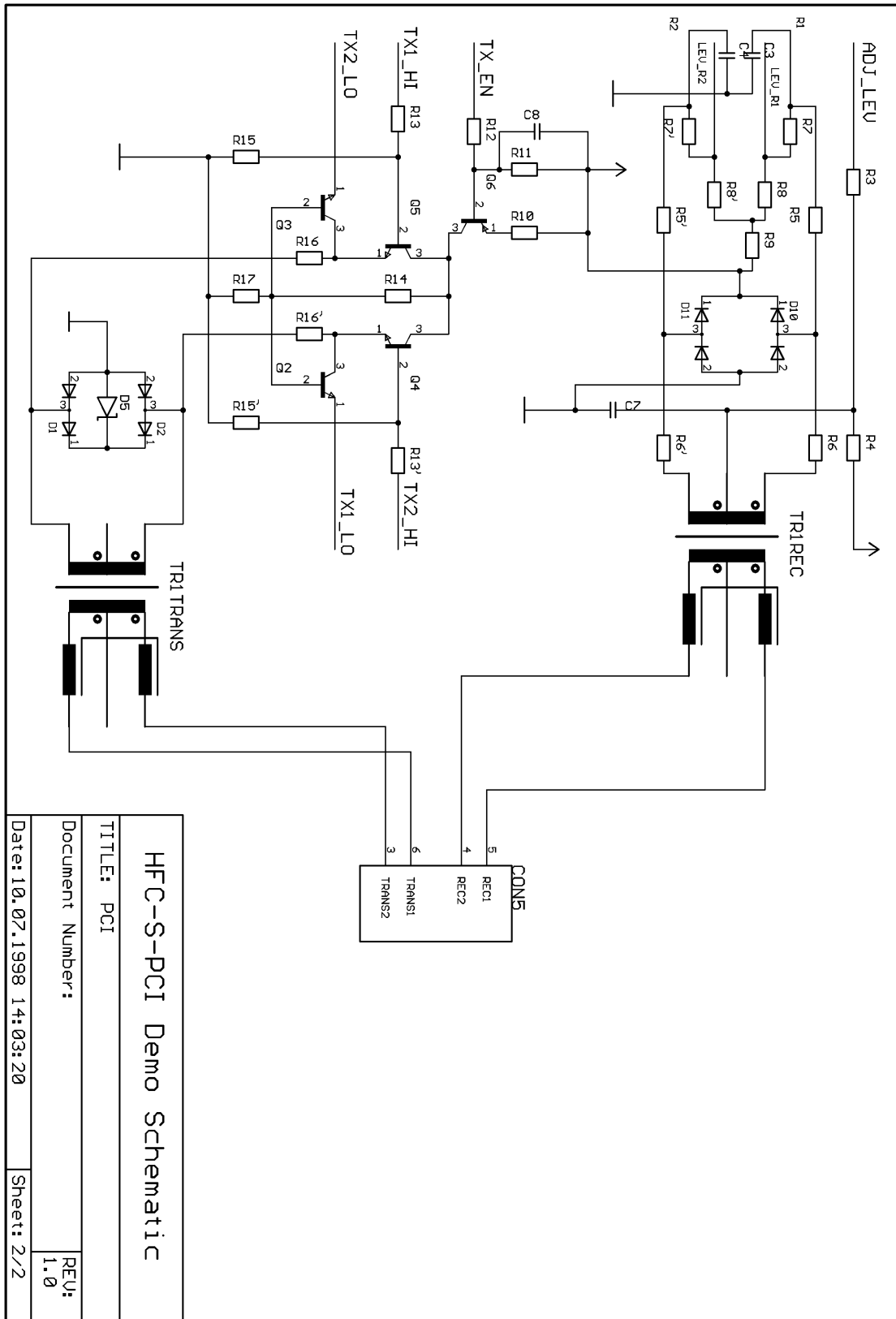


Figure 18: HFC-S PCI package dimensions

# 12 ISDN PCI card sample circuitry with HFC-S PCI

The 8-Bit-Flip-Flop (U3) is only needed for auxiliary port accesses. The EEPROM (U2) is also optional.





<b>HFC-S-PCI Demo Schematic</b>	
TITLE: PCI	REV: 1.0
Document Number:	
Date: 10.07.1998 14:03:20	Sheet: 2/2

**Part List**

<b>Part</b>	<b>Value</b>	<b>Part</b>	<b>Value</b>	<b>Part</b>	<b>Value</b>
C1	47p	D11	BAV99	R10	100R
C2	47p	JP1	IOM	R11	3k3
C3	22p	JP2	PINHD-2X13	R12	5k6
C4	22p	Q1	12.288 MHz	R13	2k2 ± 1%
C7	47n	Q2	BC850C	R13'	2k2 ± 1%
C8	470p	Q3	BC850C	R14	3k3
CB1	33n	Q4	BC850C	R15	3k ± 1%
CB2	33n	Q5	BC850C	R15'	3k ± 1%
CB3	33n	Q6	BC860C	R16	18R
CB5	33n	Q7	BC850C	R16'	18R
CB6	33n	R1	(330R)	R17	3k3
CB7	33u 10V, BF C	R2	(1M)	R18	10k
CB8	33u 10V, BF C	R3	3k9	R19	10k
CB9	33n	R4	1M	R20	none
CON1	PCI32PME	R5	4k7	R21	none
CON5	WESTERN	R5'	4k7	R22	10k
D1	BAV99	R6	4k7	R23	none
D2	BAV99	R6'	4k7	R24	none
D5	Z-Diode 2V7	R7	100k	TR1	SOTR
D10	BAV99	R7'	100k	U1	HFC-S PCI
		R8	33k	U2	24C04
		R8'	33k	U3	74374 (optional)
		R9	1M8		