

SMP Connector

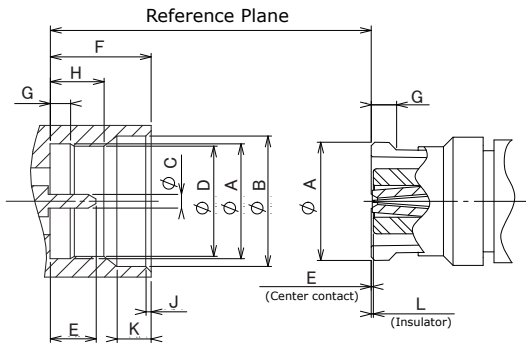
PRODUCT DESCRIPTION



SMP connector is extremely small connector which can be used at range from DC~40GHz. SMP interface is push-on mating style connector which developed in response to high-density and higher frequency use for optical communication system, large capacity transmission system, and analyzing instruments.

- Compliant with MIL-STD-348A
- Operating frequency range DC~40GHz
- Push-on mating style
- Hermetic type and PCB type are available
- RoHS(2002/95/EC) Compliant

	Male		Female	
	min.	max.	min.	max.
A	3.15	3.21	-	3.43
B	3.53	3.69	-	-
C	0.35	0.41	-	-
D	3.00	3.10	-	-
E	1.14	1.40	0.00	0.20
F	2.74	2.84	-	-
G	0.53	0.59	0.64	0.89
H	1.38	1.52	-	-
J	0.08	0.20	-	-
K	0.84	0.94	-	-
L	-	-	0.00	-

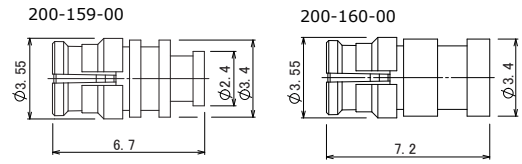


Electrical Characteristics		
50Ω	Impedance	
40GHz	Frequency Range	
335Vrms	Voltage Rating	
≤1.5 at 40GHz	VSWR	
5000MΩ	Insulation Resistance	
500Vrms	Dielectric Withstanding Voltage	
≤6.0mΩ	Center	Contact Resistance
≤2.0mΩ	Outer	Contact Resistance
Mechanical Characteristics		
≤44N(Limited Detent)	Force to Engage	
≥9N(Limited Detent)	Force to Disengage	
100 cycles	Durability	
-65°C~+165°C	Operating Temperature	
Materials		
Brass, Kover	Plug	Body
Beryllium Copper	Jack	Body
Phosphor Bronze	Male	Center Contact
Beryllium Copper	Female	Center Contact
PTFE, Glass	Insulator	
Finish		
Gold Plating	Body	
Gold Plating	Center Contact	



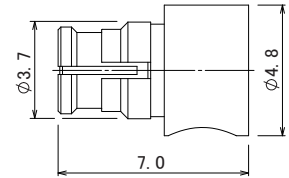
SMP Straight Jack

Model No.(Cable 047)	200-159-00
Model No.(Cable 085)	200-160-00



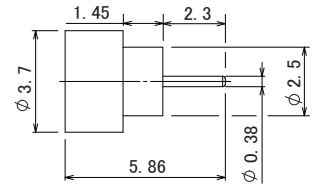
SMP Right Angle Jack

Model No.(Cable 047)	200-161-00
Model No.(Cable 085)	200-162-00



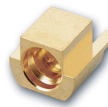
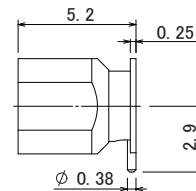
SMP Plug Receptacle - Hermetic Type

Model No.	200-163-00
	Full Detent
Model No.	200-164-00
	Limited Detent



SMP SMT type Receptacle

Model No.	200-165-00
	Limited Detent



SMP EMT type Receptacle

Model No.	200-166-00
	Limited Detent

