

SMP Adaptor

PRODUCT DESCRIPTION

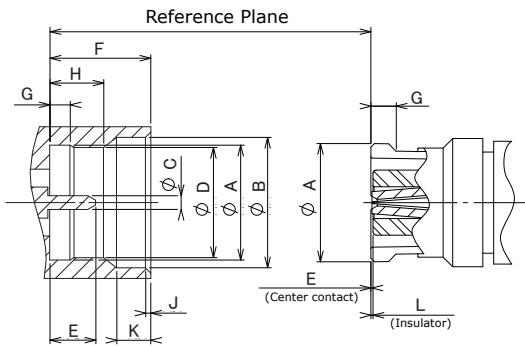


SMP connector is extremely small adaptor which can be used at range from DC~40GHz. SMP interface is push-on mating style connector which developed in response to high-density and higher frequency use for optical communication system, large capacity transmission system, and analyzing instruments.

- Compliant with MIL-STD-348A
- Operating frequency range DC~40GHz
- Push-on mating style
- Hermetic type and PCB type are available
- RoHS(2002/95/EC) Compliant

	Male		Female	
	min.	max.	min.	max.
A	3.15	3.21	-	3.43
B	3.53	3.69	-	-
C	0.35	0.41	-	-
D	3.00	3.10	-	-
E	1.14	1.40	0.00	0.20
F	2.74	2.84	-	-
G	0.53	0.59	0.64	0.89
H	1.38	1.52	-	-
J	0.08	0.20	-	-
K	0.84	0.94	-	-
L	-	-	0.00	-

Electrical Characteristics		
50Ω	Impedance	
40GHz	Frequency Range	
335Vrms	Voltage Rating	
≤1.5 at 40GHz	VSWR	
5000MΩ	Insulation Resistance	
500Vrms	Dielectric Withstanding Voltage	
≤6.0mΩ	Center	Contact Resistance
≤2.0mΩ	Outer	Contact Resistance
Mechanical Characteristics		
≤44N	Force to Engage	
≥9N	Force to Disengage	
100 cycles	Durability	
-65°C~+165°C	Operating Temperature	
Materials		
Brass, Kover	Plug	Body
Beryllium Copper	Jack	Body
Phosphor Bronze	Male	Center Contact
Beryllium Copper	Female	Center Contact
PTFE, Glass	Insulator	
Finish		
Gold Plating	Body	
Gold Plating	Center Contact	

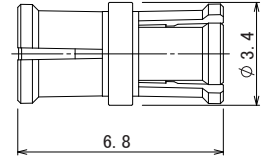




SMP In Series Adapter (Jack - Jack)

Model No.

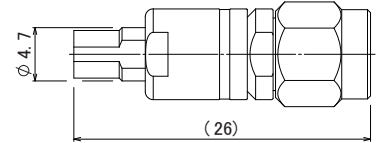
200-167-00



Between Adapter (SMP Plug - SMK Plug)

Model No.

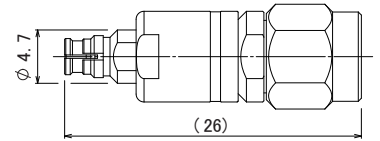
200-168-00



Between Adapter (SMP Jack - SMK Plug)

Model No.

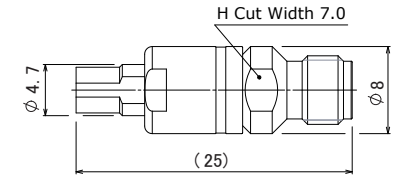
200-169-00



Between Adapter (SMP Plug - SMK Jack)

Model No.

200-170-00



Between Adapter (SMP Jack - SMK Jack)

Model No.

200-171-00

