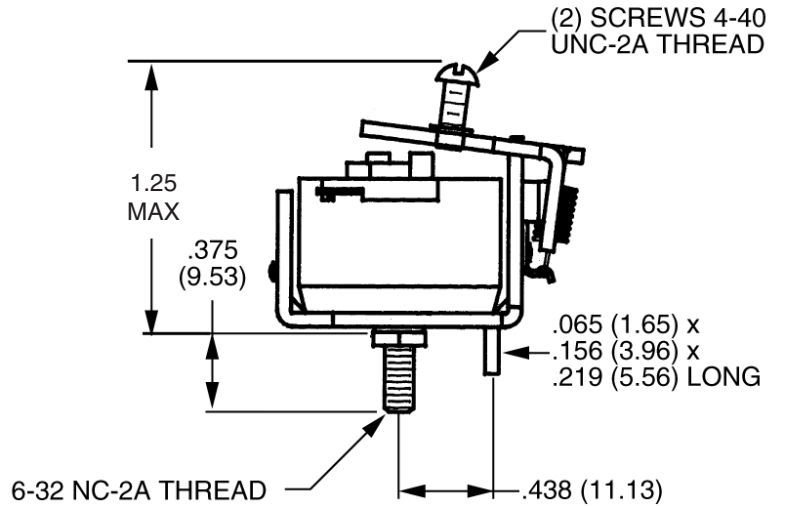
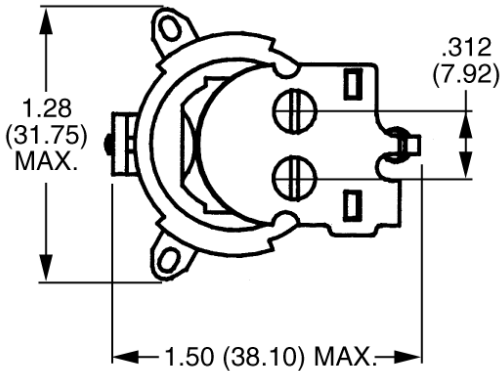




100C

# 100C CLAPPERS

## 100C DIMENSIONS [Unit Inch (mm)]



Coil Characteristics are Same as 100 Series Except Operating Ambient is Increased by 40°C. See Page 6.

- Approximate Weight – 1.6 oz. (45 g)
- Medium Duty AC or DC
- Molded Rynite® Coil For Fungus and Moisture Protection
- Terminals Molded Into Coil For Extra Strength, Virtually Eliminates Open Coils

## COIL DATA/ORDERING INFORMATION

### 100C Series AC

VOLTAGE	P/N	RESISTANCE IN OHMS ± 10%	NOMINAL COIL POWER	HOLDING FORCE @ 120VAC (OUNCES)
6VAC	20013-80	5.0	2.0VA	100% Hot – 16.5 100% Cold – 14.5 85% Hot – 11.5 85% Cold – 9.5
12VAC	20013-81	20		
24VAC	20013-82	80		
48VAC	20013-83	315		
120VAC	20013-84	2025		
240VAC	20013-85	8000		

### 100C Series DC

VOLTAGE	P/N	RESISTANCE IN OHMS ± 10%	NOMINAL COIL POWER	HOLDING FORCE @ 24VDC (OUNCES)
6VDC	20014-80	30	1.2W	100% Cold – 33.5 100% Hot – 27 85% Cold – 29.5 85% Hot – 22
12VDC	20014-81	120		
24VDC	20014-82	480		
48VDC	20014-83	1850		
110VDC	20014-84	10,000		

Non Stock Minimum May Be Required.