



Buzzer

BZ AC BUZZER

FEATURES

- Operates on 50 or 60 Hz AC Voltage
- Molded Rynite® Class F Coil
- Will Operate Continuously without Overheating
- Easy Single Screw Mounting

CONTACT DATA/ORDERING INFORMATION

| NOMINAL VOLTAGE | BUZZER P/N | RESISTANCE IN OHMS ± 10% | NOMINAL COIL POWER |
|-----------------|------------|--------------------------|--------------------|
| 6VAC | 20000-80 | 5.0 | 3.0VA |
| 12VAC | 20000-81* | 20 | |
| 24VAC | 20000-82* | 80 | |
| 120VAC | 20000-83* | 2025 | |
| 208VAC | 20000-85 | 6000 | |
| 240VAC | 20000-84* | 8000 | |

* Black Items Are Normally Stocked.

Blue Items Are Non Stock. Minimum Quantity May Be Required.

UL RECOGNIZED FILE NO.: S1101

CSA CERTIFIED FILE NO.: 41227

(For Signal Appliances, Fire Alarm Equipment)



DIELECTRIC STRENGTH

1500 VRMS, 60 Hz Between All Elements

COIL DATA

Coil Voltages: AC Only: Up to 277 Volts/60 Hz

Coil Treatment: Molded Rynite® Std. Class F

UL Insulation System File No.: E74443

S155D 155°C Total Temperature Std.

(Covers S105 Class A and S130D Class B Requirements)

OPERATE DATA

Operating Voltage: ±15% of Nominal

Sound Pressure Level: (Nominal Voltage)

93 dBA at 15 cm (Average)

74 dBA at 1.0 Meters (Average)

Per ANSI S1.13 – 1971

ENVIRONMENTAL DATA

Operating Ambient: -45° to 110°C

Coil Temperature Rise: (25°C Ambient – Continuous Duty)

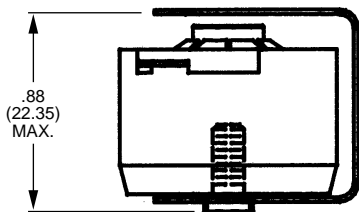
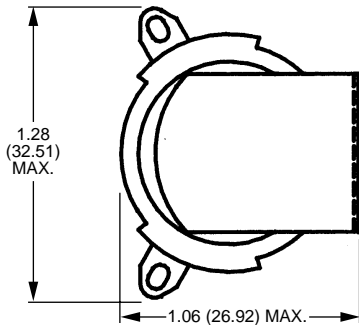
45°C Approx. @ 60 Hz – Use at 50 Hz

will Cause Slight Increase in Coil Rise

MECHANICAL DATA

Terminals: Pierced Solder Lugs .187" x .020"

Weight: Approx. 1.1 oz. (31 g)



6-32 NC-2B TAP
.312 (7.92) MIN. DEEP