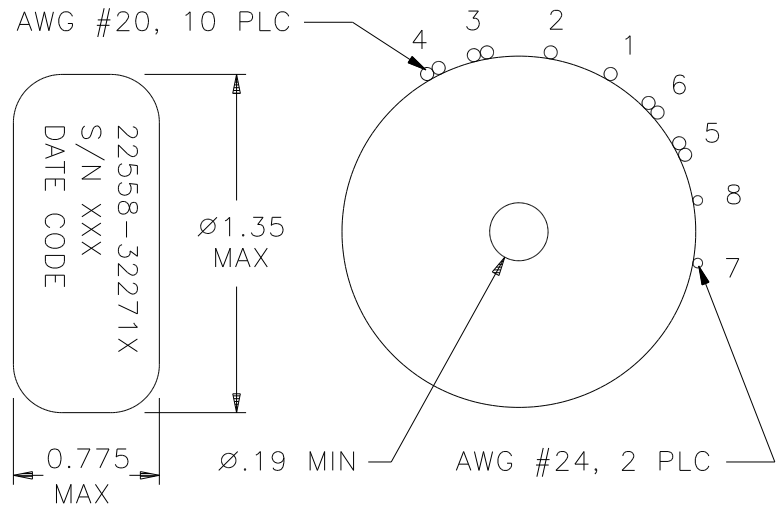


REVISIONS			
REV.	DESCRIPTION	DATE	BY



Classification

MIL-PRF-27 Grade: 6
 MIL-PRF-27 Class: S (130° C)
 Maximum Ambient Temperature: 105° C

MIL-STD-981 Quality Assurance Provisions

Class	Description	Drawing Number ¹
C	Commercial Parts	32271-30
B	Group A Inspection	32271-31B
E	Group A Inspection	32271-31S
S	Group A Inspection	32271-31S and
	Group B Inspection	32271-85

¹ The germane data will ship with the hardware.

Maximum Operating Load Conditions	
E(1 - 2) = 50 VRMS, 200KHZ	
P(3 - 4) = 38.4 W	P(5 - 6) = 59.2 W
P(7 - 8) = 3.2 W	P _{TOTAL} = 101 W

Electrical Characteristics

DC Resistance: (1 - 2) = 30 mΩ Maximum
 (3 - 4) = 7.5 mΩ Maximum
 (5 - 6) = 7.5 mΩ Maximum
 (7 - 8) = 140 mΩ Maximum

Ratio and Polarity:
 3 - 4/1 - 2 = 0.222 ± 0.004
 5 - 6/1 - 2 = 0.222 ± 0.004
 7 - 8/1 - 2 = 0.555 ± 0.010

Inductance (measured at 0.5 V, 10 KHz):
 (1 - 2) = 1.0 mH Minimum

These Parts Are Manufactured in Strict Compliance to MIL-STD-981.

The "X" in the part number refers to the Quality Level (C, B, E, or S), see Quality Assurance Provisions above.	UNLESS OTHERWISE SPECIFIED: Dimensions are in inches, and tolerances are:		COAST/ACM		
	Fractions ±1/64	Decimals .XX = ±0.03 .XXX = ±0.010	Angles ±1/2°	TITLE Power Transformer	
	DRAWN BY Jim Allen	DATE 06/03/02	FSCM 22558	DWG. NO 32271X	REV.
DO NOT SCALE DRAWING	Jim Allen	06/03/02	SCALE: none	MAX. WT.: 50 grams	SHEET 1 OF 1