

AC Solid State Relay



S3

SERIES



Features

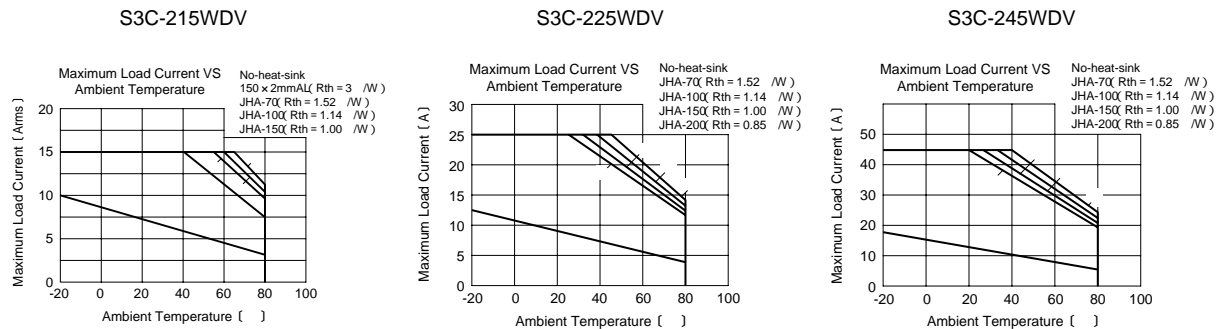
15A/25A/45A type have common dimensions
 LED installed
 Dielectric strength between input and output at 3,000V/1 min.

Built-in varistor (surge absorb element)
 UL, C-UL, VDE standard approved
 Terminal safety cover installed
 Optional heat-sink available (P93)

Type Information

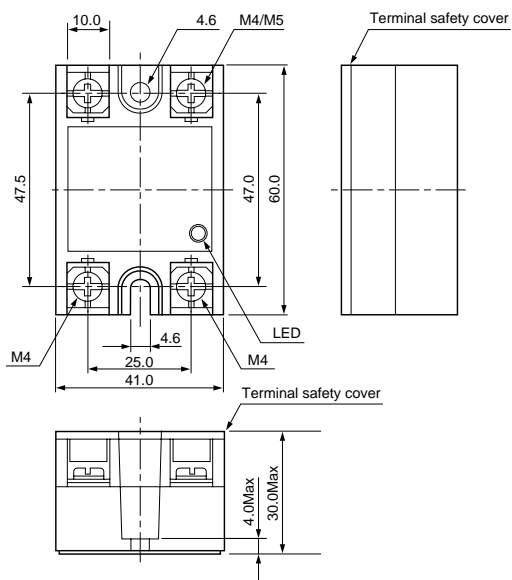
S 3 C - 2 1 5 W D V			
S	3	C	- 2 1 5 W D V
Zero-cross-circuit	Standard load voltage	Max. load current	Input voltage range
C : Built-in	2 : 100V, 200V	15 : 15A 25 : 25A 45 : 45A	WDV : DC3.5 ~ 30V

Characteristics



Description in the catalogue is subject to change without notice. Please read the specifications thoroughly before using.
 Please contact JEL SYSTEM for further information.

Dimensions (mm)

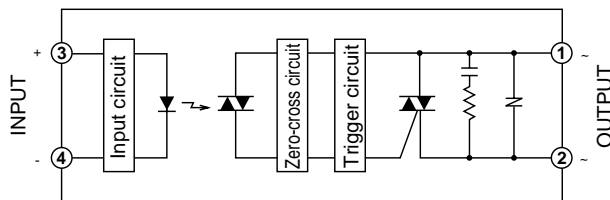


Torque range

- M4 terminal 1.5 N · m(MAX)
- M5 terminal 2.0 N · m(MAX)
- Outer case 1.5 N · m(MAX)

Terminal number	Terminal size	
	S3C-215 S3C-225	S3C-245
(Output)	M4	M5
(Input +)		M4
(Input -)		

Equivalent Circuit



Description in the catalogue is subject to change without notice. Please read the specifications thoroughly before using.
Please contact JEL SYSTEM for further information.

Ratings

(Ta = 25)

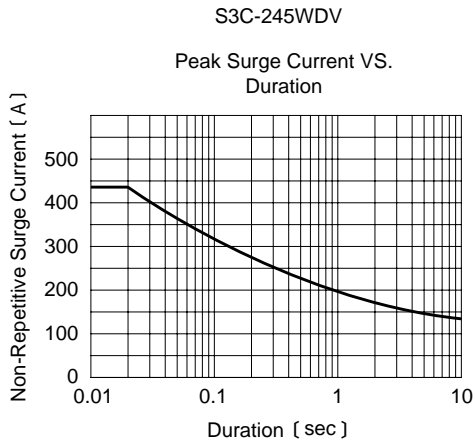
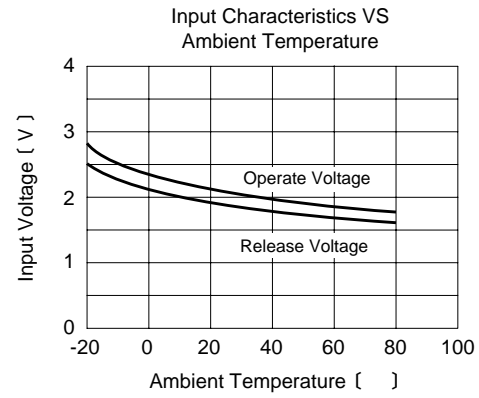
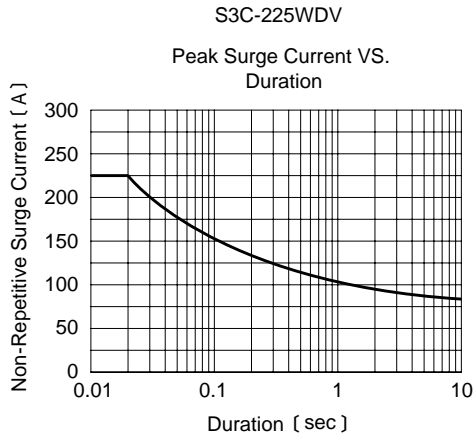
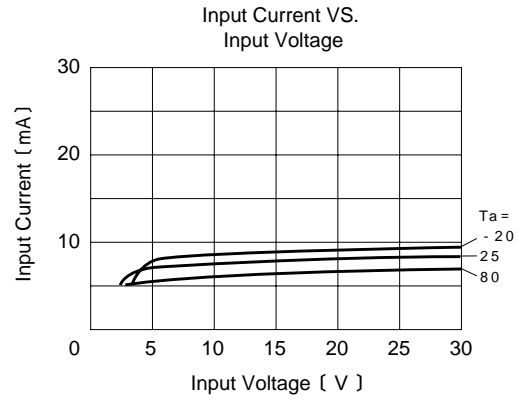
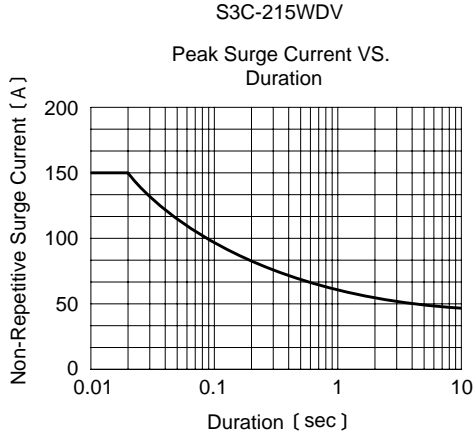
	Item	Symbols	S3C-215WDV	S3C-225WDV	S3C-245WDV	Units
Output	Rated Load Voltage	V_O	120、240			V_{ACrms}
	Maximum Load Current	I_{OMAX}	15	25	45	A_{ACrms}
	Peak Repetitive Off State Voltage	V_{DRM}	387			V
	Peac 1 Cycle Surge Current	I_{SURGE}	150	225	440	A
	Frequency	f	50、60			Hz
Input	Maximum Input Voltage	V_{IMAX}	30			V_{DC}
	Max Input Current	I_{IMAX}	10			mA_{DC}
General	Dielectric Strength	V_{ISO}	3,000 / 1 min. (Between input-output-case)(Rh40 ~ 60 %)			V_{ACrms}
	Isolation Resistance	R_{ISO}	10^8 and above DC500V (Between input-output-case)(Rh40 ~ 60 %)			
	Operating Temperature Range	T_{OPR}	- 20 ~ + 80			
	Storage Temperature Range	T_{STG}	- 30 ~ + 100			

Electrical Characteristics

(Ta = 25)

	Item	Symbols	S3C-215WDV	S3C-225WDV	S3C-245WDV	Units
Output	Load Voltage Range	V_O	35 ~ 264			V_{ACrms}
	Off State Leakage Current	I_{LEK}	12 and below ($V_O = 200V$)			mA_{ACrms}
	On State Voltage Drop	V_{SAT}	1.5 and below			V_{ACrms}
	Minimum Load Current	I_{OMIN}	100			mA
Input	Input Voltage Range	V_I	3 ~ 30 ($T_{OPR} = 0 \sim + 80$)			V_{DC}
			3.5 ~ 30 ($T_{OPR} = - 20 \sim 0$)			
	Operate Voltage	V_P	3 and below ($T_{OPR} = 0 \sim + 80$)			V_{DC}
			3.5 and below ($T_{OPR} = - 20 \sim 0$)			
Release Voltage	V_D	1 and above			V_{DC}	
General	Operate Time	T_{ON}	1/2 Cycle + 1 ms and below			
	Release Time	T_{OFF}	1/2 Cycle + 1 ms and below			
	Capacitance	C_{IO}	15 and below			PF
	Zero Cross Turn On		Built In			
	Approved Standards		UL、C-UL、VDE			

Description in the catalogue is subject to change without notice. Please read the specifications thoroughly before using.
Please contact JEL SYSTEM for further information.



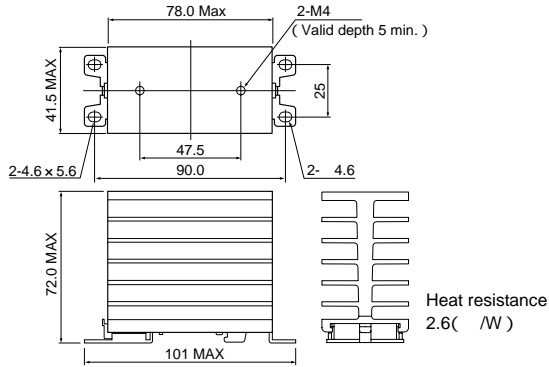
Description in the catalogue is subject to change without notice. Please read the specifications thoroughly before using.
Please contact JEL SYSTEM for further information.

Option

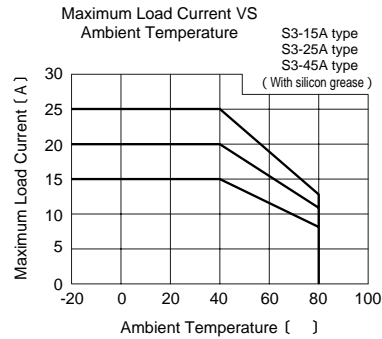
Heat-sink

Model	JHC-41-1
SUITABLE SSR	S3C Series

Dimensions

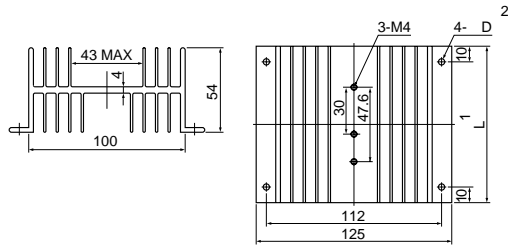


Dimensions



Model	JHA-
SUITABLE SSR	S3C Series

Dimensions



Model	Heat Resistance (/W)	1 L(mm) Dimensions	2 D(mm) Dimensions
JHA-70	1.52	70	4
JHA-100	1.14	100	4
JHA-150	1.00	150	4.5
JHA-200	0.85	200	4

Description in the catalogue is subject to change without notice. Please read the specifications thoroughly before using. Please contact JEL SYSTEM for further information.