

### FEATURES

- 12-bit resolution
- 5MHz minimum sampling rate
- Functionally complete
- Small 24-pin DDIP
- Requires only  $\pm 5V$  supplies
- Low-power, 1.3 Watts
- Outstanding dynamic performance
- No missing codes over full military temperature range
- Edge-triggered, no pipeline delay
- Ideal for both time and frequency-domain applications



### GENERAL DESCRIPTION

DATEL's ADS-118 and ADS-118A are 12-bit, 5MHz, sampling A/D converters packaged in space-saving 24-pin DDIP's. The ADS-118 offers an input range of  $\pm 1V$  and has three-state outputs. The ADS-118A has an input range of  $\pm 1.25V$  and features direct adjustment of offset error.

These functionally complete low-power devices (1.3 Watts) contain an internal fast-settling sample/hold amplifier, a 12-bit subranging A/D converter, a precise voltage reference, timing/control logic, and error-correction circuitry. All timing and control logic operates from the rising edge of a single start convert pulse. Digital input and output levels are TTL. Models are available for use in either commercial (0 to  $+70^{\circ}C$ ) or military ( $-55$  to  $+125^{\circ}C$ ) operating temperature ranges.

Applications include radar, transient signal analysis, process control, medical/graphic imaging, and FFT spectrum analysis.

### INPUT/OUTPUT CONNECTIONS

PIN	FUNCTION	PIN	FUNCTION
1	BIT 12 (LSB)	24	NO CONNECTION
2	BIT 11	23	ANALOG GROUND
3	BIT 10	22	NO CONNECTION
4	BIT 9	21	+5V ANALOG SUPPLY
5	BIT 8	20	-5V SUPPLY
6	BIT 7	19	ANALOG INPUT
7	BIT 6	18	ANALOG GROUND
8	BIT 5	17*	ENABLE/OFFSET ADJ.
9	BIT 4	16	START CONVERT
10	BIT 3	15	$\overline{EOC}$
11	BIT 2	14	DIGITAL GROUND
12	BIT 1 (MSB)	13	+5V DIGITAL SUPPLY

\* ADS-118, Pin 17 is ENABLE  
ADS-118A, Pin 17 is OFFSET ADJUST

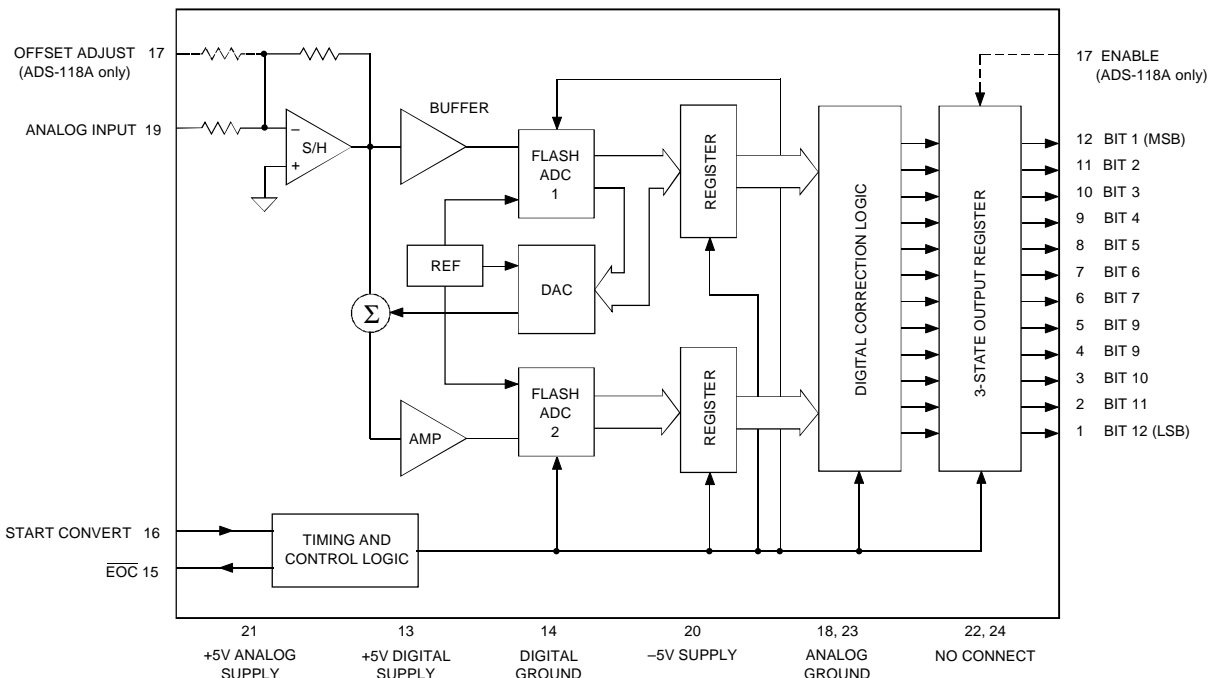


Figure 1. ADS-118/118A Functional Block Diagram

**ABSOLUTE MAXIMUM RATINGS**

PARAMETERS	LIMITS	UNITS
+5V Supply (Pins 13, 21)	0 to +6	Volts
-5V Supply (Pin 20)	0 to -6	Volts
Digital Input (Pin 16, 17)	-0.3 to +VDD +0.3	Volts
Analog Input (Pin 19)	±5	Volts
Lead Temperature (10 seconds)	+300	°C

**PHYSICAL/ENVIRONMENTAL**

PARAMETERS	MIN.	TYP.	MAX.	UNITS
Operating Temp. Range, Case	0	—	+70	°C
	-55	—	+125	°C
ADS-118/118AMC				
ADS-118/118AMM, GM, 883				
Thermal Impedance	—	2	—	°C/Watt
	—	23	—	°C/Watt
	—	—	—	°C
Storage Temperature Range	-65	—	+150	°C
Package Type	24-pin, metal-sealed, ceramic DDIP or SMT			
Weight	0.42 ounces (12 grams)			

**FUNCTIONAL SPECIFICATIONS**

(TA = +25°C, ±VDD = ±5V, 5MHz sampling rate, and a minimum 3 minute warmup ① unless otherwise specified.)

ANALOG INPUT	+25°C			0 to +70°C			-55 to +125°C			UNITS
	MIN.	TYP.	MAX.	MIN.	TYP.	MAX.	MIN.	TYP.	MAX.	
Input Voltage Range, ADS-118 ②	—	±1	—	—	±1	—	—	±1	—	Volts
Input Resistance	475	500	—	475	500	—	475	500	—	Ω
Input Capacitance	—	6	15	—	6	15	—	6	15	pF
<b>DIGITAL INPUT</b>										
Logic Levels										
Logic "1"	+2.0	—	—	+2.0	—	—	+2.0	—	—	Volts
Logic "0"	—	—	+0.8	—	—	+0.8	—	—	+0.8	Volts
Logic Loading "1"	—	—	+20	—	—	+20	—	—	+20	µA
Logic Loading "0"	—	—	-20	—	—	-20	—	—	-20	µA
Start Convert Positive Pulse Width ③	50	100	—	50	100	—	50	100	—	ns
<b>STATIC PERFORMANCE</b>										
Resolution	—	12	—	—	12	—	—	12	—	Bits
Integral Nonlinearity (fin = 10kHz)	—	±0.75	—	—	±1.0	—	—	±1.5	—	LSB
Differential Nonlinearity (fin = 10kHz)	—	±0.5	+0.75	—	±0.5	±0.95	—	±0.75	+0.95	LSB
Full Scale Absolute Accuracy	—	±0.1	±0.5	—	±0.5	±0.75	—	±0.75	±1.5	%FSR
Bipolar Zero Error (Tech Note 2)	—	±0.1	±0.5	—	±0.5	±0.85	—	±0.85	±2.0	%FSR
Bipolar Offset Error (Tech Note 2)	—	±0.1	±0.5	—	±0.5	±1.5	—	±1.5	±2.5	%FSR
Gain Error (Tech Note 2)	—	±0.1	±0.5	—	±0.5	±1.0	—	±1.0	±2.5	%
No Missing Codes (fin = 10kHz)	12	—	—	12	—	—	12	—	—	Bits
<b>DYNAMIC PERFORMANCE</b>										
Peak Harmonics (-0.5dB)										
dc to 500kHz	—	-76	-71	—	-74	-70	—	-72	-66	dB
500kHz to 1MHz	—	-75	-71	—	-74	-70	—	-70	-65	dB
1MHz to 2.5MHz	—	-69	-69	—	-73	-67	—	-66	-60	dB
Total Harmonic Distortion (-0.5dB)										
dc to 500kHz	—	-72	-68	—	-71	-67	—	-70	-65	dB
500kHz to 1MHz	—	-71	-67	—	-70	-66	—	-67	-63	dB
1MHz to 2.5MHz	—	-70	-66	—	-69	-65	—	-66	-60	dB
Signal-to-Noise Ratio (w/o distortion, -0.5dB)										
dc to 500kHz	67	69	—	66	69	—	64	67	—	dB
500kHz to 1MHz	66	69	—	65	68	—	63	66	—	dB
1MHz to 2.5MHz	66	69	—	65	68	—	63	66	—	dB
Signal-to-Noise Ratio ④ (& distortion, -0.5dB)										
dc to 500kHz	65	68	—	64	67	—	62	66	—	dB
500kHz to 1MHz	65	68	—	64	67	—	61	65	—	dB
1MHz to 2.5MHz	64	67	—	63	66	—	60	64	—	dB
Noise	—	195	—	—	195	—	—	195	—	µVrms
Two-tone Intermodulation										
Distortion (fin = 1MHz, 975kHz, fs = 5MHz, -0.5dB)	—	-74	—	—	-74	—	—	-74	—	dB
Input Bandwidth (-3dB)										
Small Signal (-20dB input)	—	20	—	—	20	—	—	20	—	MHz
Large Signal (-0.5dB input)	—	10	—	—	10	—	—	10	—	MHz
Feedthrough Rejection (fin = 2.5MHz)	—	80	—	—	80	—	—	80	—	dB
Slew Rate	—	±400	—	—	±400	—	—	±400	—	V/µs
Aperture Delay Time	—	+10	—	—	+10	—	—	+10	—	ns
Aperture Uncertainty	—	3	—	—	3	—	—	3	—	ps rms

DYNAMIC PERFORMANCE (Cont.)	+25°C			0 to +70°C			-55 to +125°C			UNITS
	MIN.	TYP.	MAX.	MIN.	TYP.	MAX.	MIN.	TYP.	MAX.	
S/H Acquisition Time (to ±0.001%FSR, 10V step)	—	85	90	—	85	90	—	85	90	ns
Overshoot Recovery Time ⑤	—	200	—	—	200	—	—	200	—	ns
A/D Conversion Rate	5	—	—	5	—	—	5	—	—	MHz
<b>DIGITAL OUTPUTS</b>										
Logic Levels										
Logic "1"	+2.4	—	—	+2.4	—	—	+2.4	—	—	Volts
Logic "0"	—	—	+0.4	—	—	+0.4	—	—	+0.4	Volts
Logic Loading "1"	—	—	-4	—	—	-4	—	—	-4	mA
Logic Loading "0"	—	—	+4	—	—	+4	—	—	+4	mA
Delay, Falling Edge of $\overline{EOC}$ to Output Data Valid	—	—	20	—	—	20	—	—	20	MHz
Delay, Falling Edge of $\overline{ENABLE}$ to Output Data Valid	—	—	10	—	—	10	—	—	10	MHz
Output Coding	Offset Binary									
<b>POWER REQUIREMENTS</b>										
Power Supply Ranges ⑥										
+5V Supply	+4.75	+5.0	+5.25	+4.75	+5.0	+5.25	+4.9	+5.0	+5.25	Volts
-5V Supply	-4.75	-5.0	-5.25	-4.75	-5.0	-5.25	-4.9	-5.0	-5.25	Volts
Power Supply Currents										
+5V Supply	—	+205	+220	—	+205	+220	—	+205	+220	mA
-5V Supply	—	-80	-90	—	-80	-90	—	-80	-90	mA
Power Dissipation	—	1.3	1.5	—	1.3	1.5	—	1.3	1.5	Watts
Power Supply Rejection	—	—	±0.1	—	—	±0.1	—	—	±0.1	%FSR/%V
<b>Footnotes:</b>										
① All power supplies should be on before applying a start convert pulse. All supplies and the clock (start convert pulses) must be present during warmup periods. The device must be continuously converting during this time.						④ Effective bits is equal to: $(\text{SNR} + \text{Distortion}) - 1.76 + \left[ 20 \log \frac{\text{Full Scale Amplitude}}{\text{Actual Input Amplitude}} \right]$ 6.02				
② Input voltage ranges for ADS-118A is ±1.25V						⑤ This is the time required before the A/D output data is valid once the analog input is back within the specified range.				
③ A 100ns wide start convert pulse is used for all production testing. For applications requiring less than an 5MHz sampling rate, wider start convert pulses can be used. NOTE: The device only requires the rising edge of a start convert pulse to operate.						⑥ The minimum supply voltages of +4.9V and -4.9V for ±V <sub>DD</sub> are required for -55°C operation only. The minimum limits are +4.75V and -4.75V when operating at +125°C				

**TECHNICAL NOTES**

- Obtaining fully specified performance from the ADS-118 requires careful attention to pc-card layout and power supply decoupling. The device's analog and digital ground systems are connected to each other internally. For optimal performance, tie all ground pins (14, 18, and 23) directly to a large **analog** ground plane beneath the package.  
  
Bypass all power supplies to ground with 4.7µF tantalum capacitors in parallel with 0.1µF ceramic capacitors. Locate the bypass capacitors as close to the unit as possible.
- The ADS-118 achieves its specified accuracies without the need for external calibration. If required, the device's small initial offset and gain errors can be reduced to zero using

- the adjustment circuitry shown in Figures 2a and 2b. When using this circuitry, or any similar offset and gain-calibration hardware, make adjustments following warmup. To avoid interaction, always adjust offset before gain.
- To enable the three-state outputs, connect  $\overline{ENABLE}$  (pin 17) to a logic "0" (low). To disable, connect pin 17 to logic "1" (high). The three-state outputs are permanently enabled in the ADS-118A.
- Applying a start convert pulse while a conversion is in progress (EOC = logic "1") will initiate a new and inaccurate conversion cycle.

**CALIBRATION PROCEDURE**

Any offset and/or gain calibration procedures should not be implemented until devices are fully warmed up. To avoid interaction, offset must be adjusted before gain. The ranges of adjustment for the circuits in Figures 2a and 2b are guaranteed to compensate for the ADS-118's initial accuracy errors and may not be able to compensate for additional system errors.

A/D converters are calibrated by positioning their digital outputs exactly on the transition point between two adjacent digital output codes. This can be accomplished by connecting

LED's to the digital outputs and adjusting until certain LED's "flicker" equally between on and off. Other approaches employ digital comparators or microcontrollers to detect when the outputs change from one code to the next.

For the ADS-118, offset adjusting is normally accomplished at the point where the MSB is a 1 and all other output bits are 0's and the LSB just changes from a 0 to a 1. This digital output transition ideally occurs when the applied analog input is  $\pm\frac{1}{2}$ LSB ( $\pm 244\mu\text{V}$  for ADS-118;  $\pm 305\mu\text{V}$  for ADS-118A).

Gain adjusting is accomplished when all bits are 1's and the LSB just changes from a 1 to a 0. This transition ideally occurs when the analog input is at +full scale minus  $\frac{1}{2}$  LSB's ( $+0.99927\text{V}$  for ADS-118;  $+1.249085\text{V}$  for ADS-118A).

**Zero/Offset Adjust Procedure**

1. Apply a train of pulses to the START CONVERT input (pin 16) so the converter is continuously converting.
2. Apply  $\pm 244\mu\text{V}$  (ADS-118) or  $\pm 305\mu\text{V}$  (ADS-118A) to the ANALOG INPUT (pin 19).

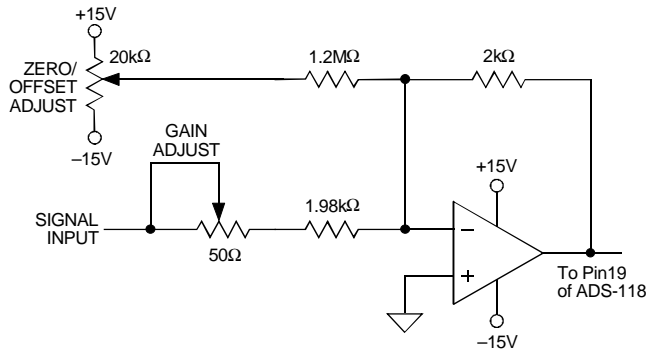
3. Adjust the offset potentiometer until the output bits are 1000 0000 0000 and the LSB flickers between 0 and 1.

**Gain Adjust Procedure**

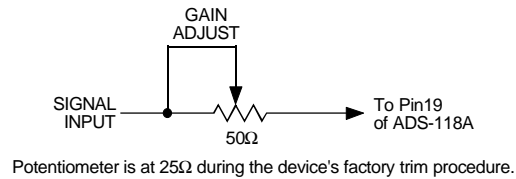
1. Apply  $+0.99927\text{V}$  (ADS-118) or  $+1.249085\text{V}$  (ADS-118A) to the ANALOG INPUT (pin 19).
2. Adjust the gain potentiometer until all output bits are 1's and the LSB flickers between 1 and 0.
3. To confirm proper operation of the device, vary the input signal to obtain the output coding listed in Table 1.

**Table 1. Output Coding for Bipolar Operation**

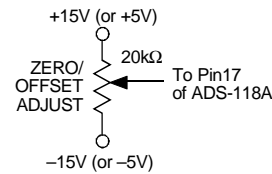
BIPOLAR SCALE	ADS-118 INPUT RANGE ( $\pm 1\text{V}$ )	OUTPUT CODING		ADS-118A INPUT RANGE ( $\pm 1.25\text{V}$ )
		OFFSET MSB	BINARY LSB	
+FS -1 LSB	+0.99951V	1111	1111 1111	+1.2494V
+3/4 FS	+0.75000V	1110	0000 0000	+0.9375V
+1/2 FS	+0.50000V	1100	0000 0000	+0.6250V
0	0.00000V	1000	0000 0000	0.0000V
-1/2 FS	-0.50000V	0100	0000 0000	-0.6250V
-3/4 FS	-0.75000V	0010	0000 0000	-0.9375V
-FS +1 LSB	-0.99951V	0000	0000 0001	-1.2494V
-FS	-1.00000V	0000	0000 0000	-1.2500V

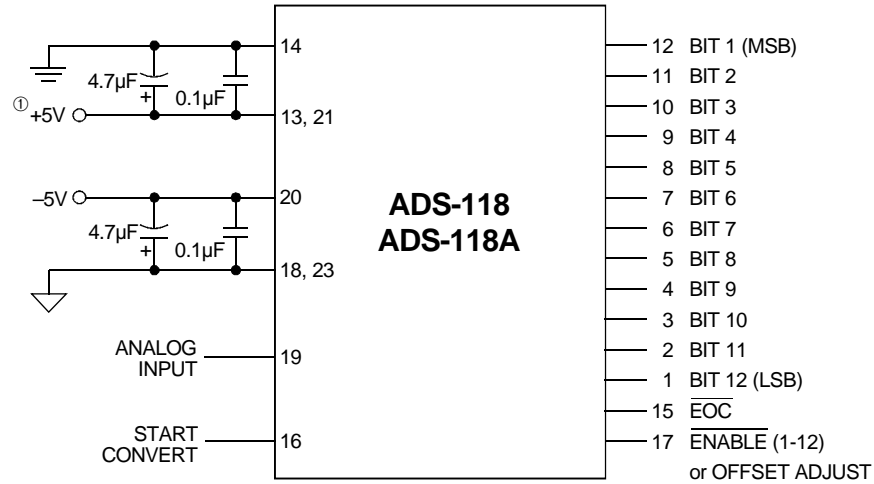


**Figure 2a. Optional ADS-118 External Gain and Offset Adjust Circuits**



**Figure 2b. Optional ADS-118A Gain and Offset Adjust Circuits**





① A single +5V supply should be used for both the +5V analog and +5V digital. If separate supplies are used, the difference between the two cannot exceed 100mV.

Figure 3. Typical Connection Diagram

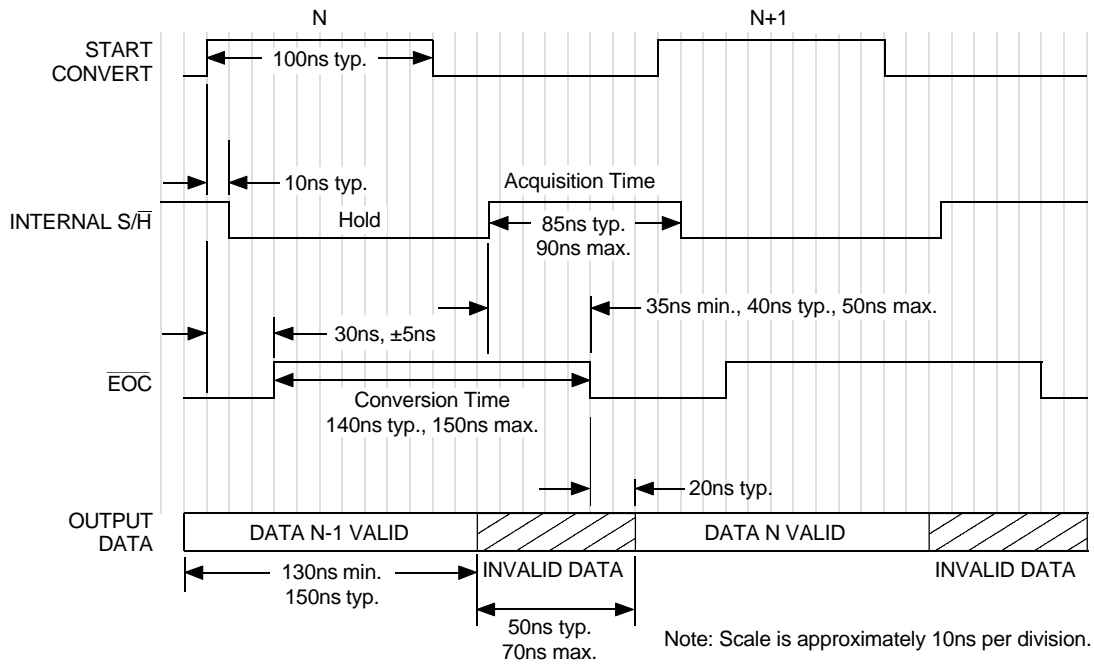


Figure 4. ADS-118/118A Timing Diagram

### THERMAL REQUIREMENTS

All DATEL sampling A/D converters are fully characterized and specified over operating temperature (case) ranges of 0 to +70°C and -55 to +125°C. All room temperature (TA = +25°C) production testing is performed without the use of heat sinks or forced air cooling. Thermal impedance figures for each device are listed in their respective specification tables.

These devices do not normally require heat sinks, however, standard precautionary design and layout procedures should be used to ensure devices do not overheat. The ground and power planes beneath the package, as well as all pcb signal runs to and from the device, should be as heavy as possible to help conduct heat away from the package.

Electrically-insulating, thermally-conductive "pads" may be installed underneath the package. Devices should be soldered to boards rather than socketed, and of course, minimal air flow over the surface can greatly help reduce the package temperature.

In more severe ambient conditions, the package/junction temperature of a given device can be reduced dramatically (typically 35%) by using one of DATEL's HS Series heat sinks. See Ordering Information for the assigned part number. See page 1-183 of the DATEL Data Acquisition Components Catalog for more information on the HS Series. Request DATEL Application Note AN8, "Heat Sinks for DIP Data Converters", or contact DATEL directly, for additional information.

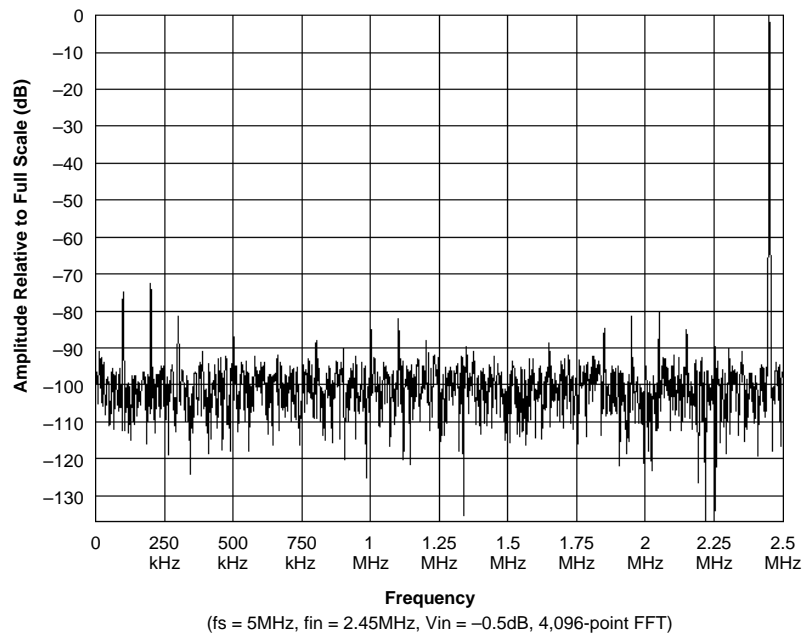


Figure 5. FFT Analysis of ADS-118

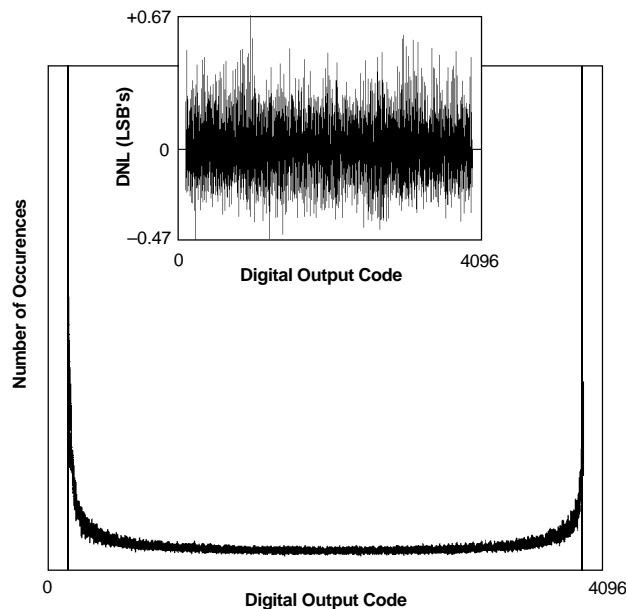
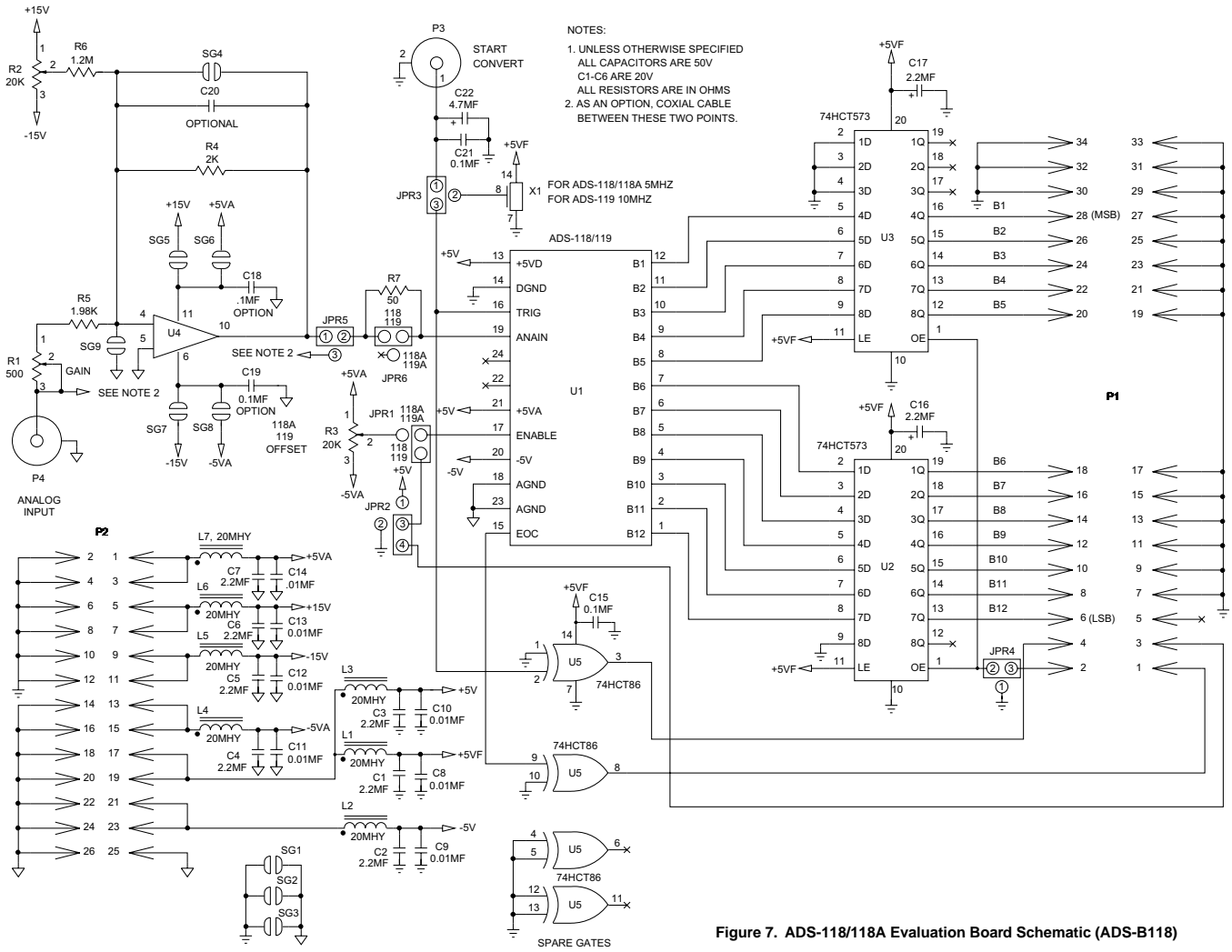
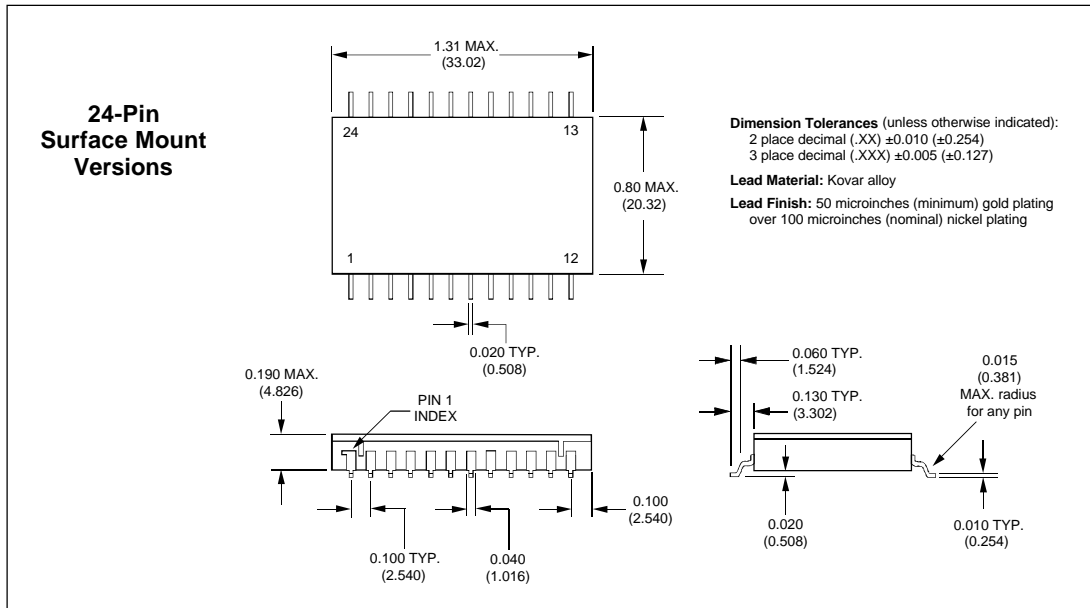
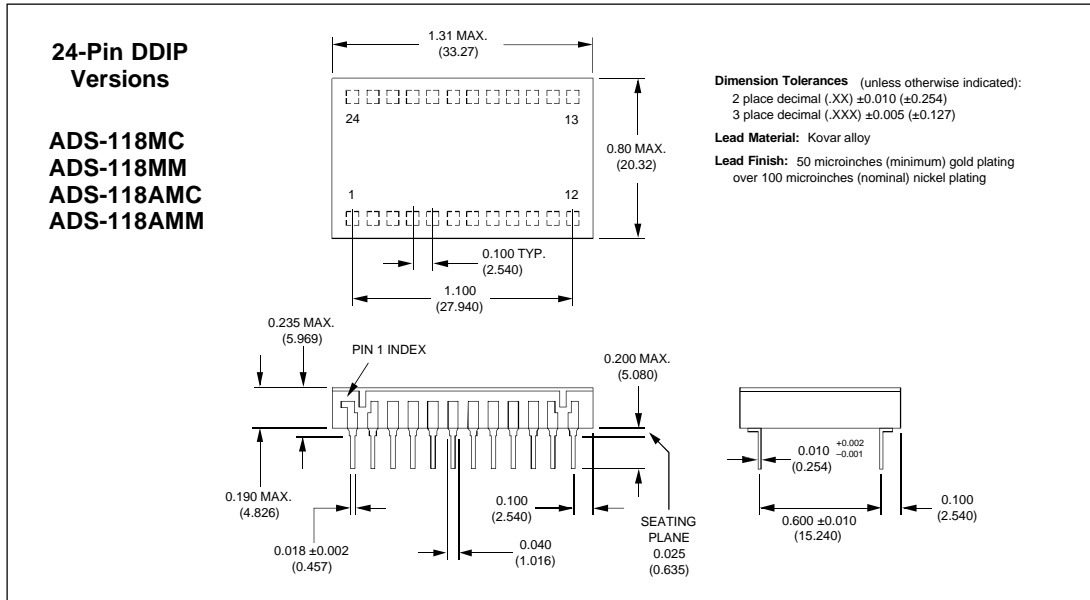


Figure 6. ADS-118 Histogram and Differential Nonlinearity



**MECHANICAL DIMENSIONS INCHES (mm)**



**ORDERING INFORMATION**

MODEL NUMBER	OPERATING TEMP. RANGE	24-PIN PACKAGE	ACCESSORIES
ADS-118MC	0 to +70°C	DDIP	ADS-B118 Evaluation Board (without ADS-118)
ADS-118MM	-55 to +125°C	DDIP	HS-24 Heat Sink for all ADS-118 DDIP models
ADS-118AMC	0 to +70°C	SMT	
ADS-118AMM	-55 to +125°C	SMT	

Receptacles for PC board mounting can be ordered through AMP, Inc., Part # 3-331272-8 (Component Lead Socket), 24 required. For MIL-STD-883 product, or surface mount packaging, contact DATEL.