

Features

- Contactless Read/Write Data Transmission
- Sensor Input $R_S > 100\text{ k}\Omega$ (Typical) => Data Stream Inverted
- Radio Frequency f_{RF} from 100 kHz to 150 kHz
- e5550 Binary Compatible or ATA5570 Extended Mode
- Small Size, Configurable for ISO/IEC 11784/785 Compatibility
- 7 x 32-bit EEPROM Data Memory Including 32-bit Password
- Separate 64-bit Memory for Traceability Data
- 32-bit Configuration Register in EEPROM to Setup
 - Data Rate
 - RF/2 to RF/128, Binary Selectable or
 - Fixed e5550 Data Rates
 - Modulation/Coding
 - FSK, PSK, Manchester, Bi-phase, NRZ
 - Other Options
 - Password Mode
 - Maximum Block Feature
 - Answer-On-Request (AOR) Mode
 - Inverse Data Output
 - Direct Access Mode
 - Sequence Terminator(s)
 - Write Protection (Through Lock-bit per Block)
 - Fast Write Method (5 Kbps versus 2 Kbps)
 - OTP Functionality
 - POR Delay up to 67 ms



Multifunctional 330-bit Read/Write RF Sensor Identification IC

ATA5570

Preliminary

1. Description

The ATA5570 is a contactless R/W IDentification IC (IDIC[®]) for applications in the 125 kHz frequency range. A single coil, connected to the chip, serves as the IC's power supply and bi-directional communication interface. The antenna and chip together form a transponder or tag.

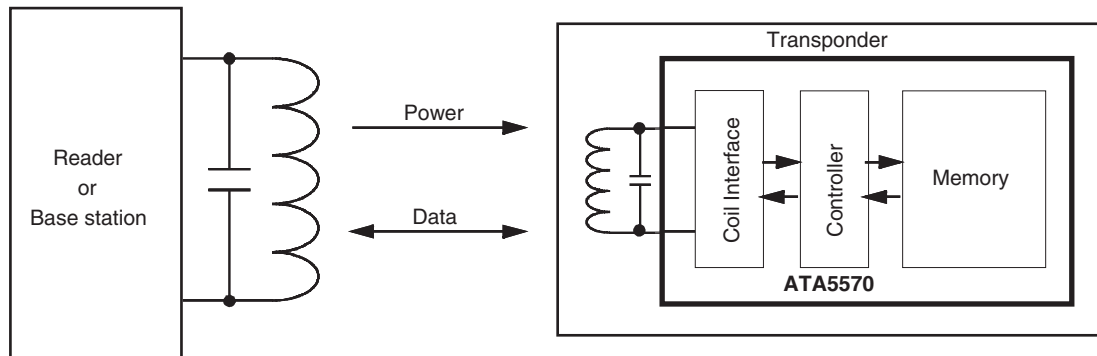
The on-chip 330-bit EEPROM (10 blocks, 33 bits each) can be read and written block-wise from a reader. Block 0 is reserved for setting the operation modes of the ATA5570 tag. Block 7 may contain a password to prevent unauthorized writing.

Data is transmitted from the IDIC using load modulation. This is achieved by damping the RF field with a resistive load between the two terminals COIL1 and COIL2. The IC receives and decodes 100% amplitude-modulated (OOK) pulse-interval-encoded bit streams from the base station or reader.



2. System Block Diagram

Figure 2-1. RFID System Using ATA5570 Tag



3. Pin Configuration

Figure 3-1. Pinning SO8

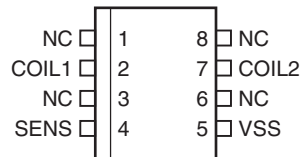
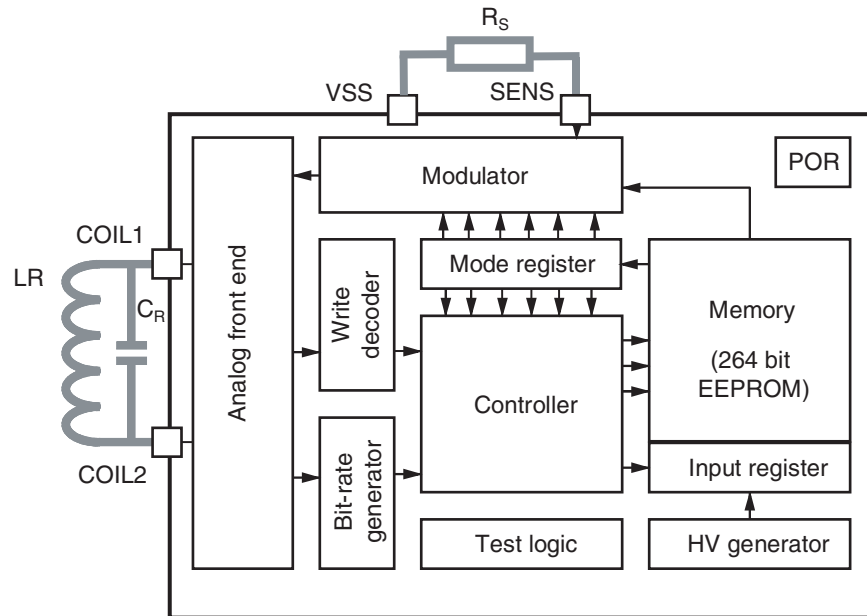


Table 3-1. Pin Description

Pin	Symbol	Function
1	NC	Not connected
2	COIL1	Antenna pin 1
3	NC	Not connected
4	SENS	Sensor input
5	VSS	Ground
6	NC	Not connected
7	COIL2	Antenna pin 2
8	NC	Not connected

4. ATA5570 – Building Blocks

Figure 4-1. Block Diagram



4.1 Analog Front End (AFE)

The AFE includes all circuits which are directly connected to the coil. It generates the IC's power supply and handles the bi-directional data communication with the reader. It consists of the following blocks:

- Rectifier to generate a DC supply voltage from the AC coil voltage
- Clock extractor
- Switchable load between COIL1 and COIL2 for data transmission from tag to the reader
- Field gap detector for data transmission from the base station to the tag
- ESD protection circuitry

4.2 Data-rate Generator

The data rate is binary programmable to operate at any data rate between $RF/2$ and $RF/128$ or equal to any of the fixed e5550/e5551 and T5554 bit rates ($RF/8$, $RF/16$, $RF/32$, $RF/40$, $RF/50$, $RF/64$, $RF/100$ and $RF/128$).

4.3 Write Decoder

This function decodes the write gaps and verifies the validity of the data stream according to the Atmel e555x write method (pulse interval encoding).

4.4 HV Generator

This on-chip charge-pump circuit generates the high voltage required for programming of the EEPROM.

4.5 DC Supply

Power is externally supplied to the IDIC via the two coil connections. The IC rectifies and regulates this RF source and uses it to generate its supply voltage.

4.6 Power-On Reset (POR)

This circuit delays the IDIC functionality until an acceptable voltage threshold has been reached.

4.7 Clock Extraction

The clock extraction circuit uses the external RF signal as its internal clock source.

4.8 Controller

The control-logic module executes the following functions:

- Load-mode register with configuration data from EEPROM block 0 after power-on and also during reading
- Control memory access (read, write)
- Handle write data transmission and write error modes
- The first two bits of the reader-to-tag data stream are the opcode, e.g., write, direct access or reset
- In password mode, the 32 bits received after the opcode are compared with the password stored in memory block 7

4.9 Mode Register

The mode register stores the configuration data from the EEPROM block 0. It is continually refreshed at the start of every block read and (re-)loaded after any POR event or reset command. On delivery, the mode register is preprogrammed with the value 0014 8000h which corresponds to continuous read of block 0, Manchester coded, RF/64.

Figure 4-2. Block 0 Configuration Mapping – e5550 Compatibility Mode

L	1	2	3	4	5	6	7	8	9	10	11	12	13	14	15	16	17	18	19	20	21	22	23	24	25	26	27	28	29	30	31	32											
	1	0	0	1	0	0	0	0							1																												
Lock Bit	Master Key Note 1), 2)								n5	n4	n3	n2	n1	n0	X-Mode	Modulation					PSK- CF	AOR	OTP	MAX- BLOCK		PWD	ST-Sequence Terminator	Fast Write	Inverse Data	POR Delay													
					Data Bit Rate RF/(2n + 2)									0		0	RF/2																										
	0 Unlocked								Direct					0		0	0	0	0	0	0	0	0	0	0	0					0	0	0	0	0	0	0						
	1 Locked								PSK1					0		0	0	0	0	1	1	0	0	0	0	0					0	0	0	0	0	0	0	0					
									PSK2					0		0	0	0	1	0	0	0	0	0	0	0					0	0	0	0	0	0	0	0	0				
									PSK3					0		0	0	0	1	1	0	0	0	0	0	0					0	0	0	0	0	0	0	0	0				
									FSK1					0		0	0	1	0	0	0	0	0	0	0	0					0	0	0	0	0	0	0	0	0	0			
									FSK2					0		0	0	1	0	1	0	0	0	0	0	0					0	0	0	0	0	0	0	0	0	0	0		
									Mode-Defeat 1					0		0	0	1	1	0	0	0	0	0	0	0					0	0	0	0	0	0	0	0	0	0	0	0	
									Mode-Defeat 2					0		0	0	1	1	1	0	0	0	0	0	0					0	0	0	0	0	0	0	0	0	0	0	0	
									Manchester					0		1	0	0	0	0	0	0	0	0	0	0					0	0	0	0	0	0	0	0	0	0	0	0	0
									Biphase ('50)					1		0	0	0	0	0	0	0	0	0	0	0					0	0	0	0	0	0	0	0	0	0	0	0	0
								Biphase ('57)					1	1	0	0	0	0	0	0	0	0	0	0	0	0	0	0	0	0	0	0	0	0	0	0	0						

1) If Master Key = 6 and bit 15 set, then test-mode access is disabled and extended mode is active
 2) If Master Key = 9 and bit 15 set, then extended mode is enabled

4.10 Modulator

The modulator consists of data encoders for the following basic types of modulation:

Table 4-1. Types of e5550-compatible Modulation Modes

Mode Direct Data Output	Encoding
FSK1a ⁽¹⁾	FSK/8, FSK/5 "0" = RF/8; "1" = RF/5
FSK2a ⁽¹⁾	FSK/8, FSK/10 "0" = RF/8; "1" = RF/10
FSK1 ⁽¹⁾	FSK/5, FSK/8 "0" = RF/5; "1" = RF/8
FSK2 ⁽¹⁾	FSK/10, FSK/8 "0" = RF/10; "1" = RF/8
PSK1 ⁽²⁾	Phase change when input changes
PSK2 ⁽²⁾	Phase change on bit clock if input high
PSK3 ⁽²⁾	Phase change on rising edge of input
Manchester	"0" = falling edge, "1" = rising edge
Bi-phase	"1" creates an additional mid-bit change
NRZ	"1" = damping on, "0" = damping off

- Notes:
1. A common multiple of bit rate and FSK frequencies is recommended.
 2. In PSK mode the selected data rate has to be an integer multiple of the PSK sub-carrier frequency.

4.11 Sensor Input

Modulated output data stream depends on the state of the sensor input. The data stream is inverted when external resistance, connected between Sensor input and VSS, is more than $R_S > 100\text{ k}\Omega$ (typical). Otherwise, the output data stream is not inverted (“normal”).

4.12 Memory

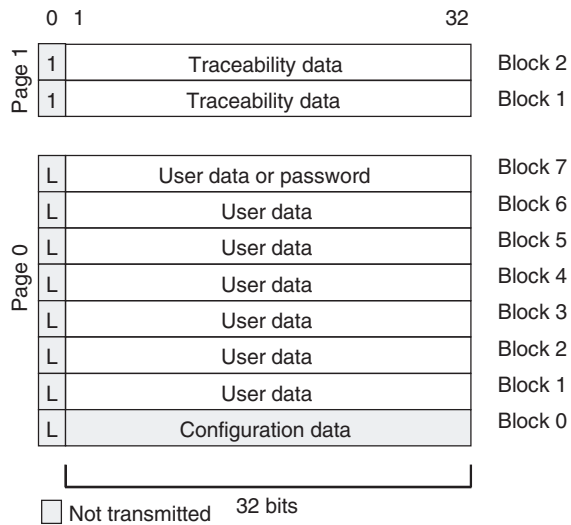
The memory is a 330-bit EEPROM, which is arranged in 10 blocks of 33 bits each. All 33 bits of a block, including the lock bit, are programmed simultaneously.

Block 0 of page 0 contains the mode/configuration data, which is not transmitted during regular-read operations. Block 7 of page 0 may be used as a write-protection password.

Bit 0 of every block is the lock bit for that block. Once locked, the block (including the lock bit itself) is not re-programmable through the RF field.

Blocks 1 and 2 of page 1 contain traceability data and are transmitted with the modulation parameters defined in the configuration register after the opcode “11” is issued by the reader (Figure 5-6 on page 12). These traceability data blocks are programmed and locked by Atmel.

Figure 4-3. Memory Map



5. Operating the ATA5570

5.1 Initialization and POR Delay

The Power-On-Reset (POR) circuit remains active until an adequate voltage threshold has been reached. This in turn triggers the default start-up delay sequence. During this configuration period of about 192 field clocks, the ATA5570 is initialized with the configuration data stored in EEPROM block 0. If the POR delay bit is reset, no additional delay is observed after the configuration period. Tag modulation in regular-read mode will be observed about 3 ms after entering the RF field. If the POR delay bit is set, the ATA5570 remains in a permanent damping state until 8190 internal field clocks have elapsed.

$$T_{\text{INIT}} = (192 + 8190 \times \text{POR delay}) \times T_C \approx 67 \text{ ms}; \quad T_C = 8 \mu\text{s at } 125 \text{ kHz}$$

Any field gap occurring during this initialization phase will restart the complete sequence. After this initialization time the ATA5570 enters regular-read mode and modulation starts automatically, using the parameters defined in the configuration register.

5.2 Tag-to-reader Communication

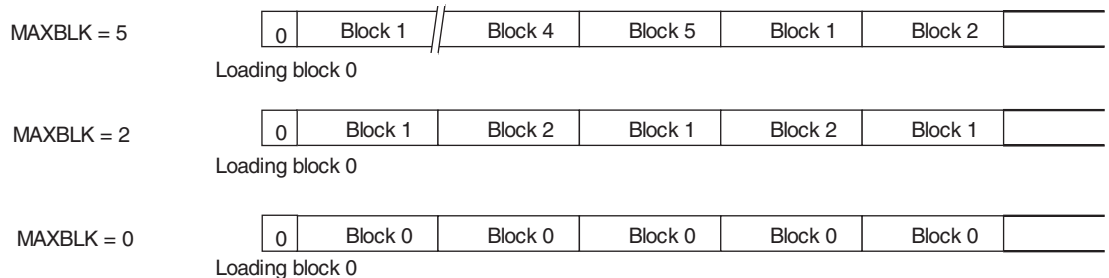
During normal operation, the data stored within the EEPROM is cycled and the COIL1 and COIL2 terminals are load modulated. This resistive load modulation can be detected at the reader module.

5.3 Regular-read Mode

In regular-read mode, data from the memory is transmitted serially, starting with block 1, bit 1, up to the last block (e.g., 7), bit 32. The last block which will be read is defined by the mode parameter field MAXBLK in EEPROM block 0. When the data block addressed by MAXBLK has been read, data transmission restarts with block 1, bit 1.

The user may limit the cyclic datastream in regular-read mode by setting the MAXBLK between 0 and 7 (representing each of the 8 data blocks). If set to 7, blocks 1 through 7 can be read. If set to 1, only block 1 is transmitted continuously. If set to 0, the contents of the configuration block (normally not transmitted) can be read. In the case of MAXBLK = 0 or 1, regular-read mode can not be distinguished from block-read mode.

Figure 5-1. Examples of Different MAXBLK Settings



Every time the ATA5570 enters regular- or block-read mode, the first bit transmitted is a logical "0". The data stream starts with block 1, bit 1, continues through MAXBLK, bit 32, and cycles continuously if in regular-read mode.

This behavior is different from the original e555x and helps to decode PSK-modulated data.

5.4 Block-read Mode

With the direct access command, the addressed block is repetitively read only. This mode is called block-read mode. Direct access is entered by transmitting the page access opcode (“10” or “11”), a single “0” bit, and the requested 3-bit block address, when the tag is in normal mode.

In password mode (PWD bit set), the direct access to a single block needs the valid 32-bit password to be transmitted after the page access opcode, whereas a “0” bit and the 3-bit block address follow afterwards. In case the transmitted password does not match with the contents of block 7, the ATA5570 tag returns to the regular-read mode.

Note: A direct access to block 0 of page 1 will read the configuration data of block 0, page 0.
A direct access to block 3 to 7 of page 1 reads all data bits as zero.

5.5 e5550 Sequence Terminator

The sequence terminator (ST) is a special damping pattern which is inserted before the first block and may be used to synchronize the reader. This e5550-compatible sequence terminator consists of four bit periods with underlying data values of “1”. During the second and the fourth bit period, modulation is switched off (if Manchester coding is activated, then modulation is switched on). Bi-phase modulated data blocks need fixed leading and trailing bits in combination with the sequence terminator to be reliably identified.

The sequence terminator may be individually enabled by setting mode bit 29 (ST = “1”) in the e5550-compatibility mode (X-mode = “0”).

In the regular-read mode, the sequence terminator is inserted at the start of each MAXBLK-limited read data stream. In block-read mode, after any block-write or direct access command, or if MAXBLK was set to “0” or “1”, the sequence terminator is inserted before the transmission of the selected block.

This behavior is different from former e5550-compatible ICs (T5551, T5554).

Figure 5-2. Read Data Stream with Sequence Terminator

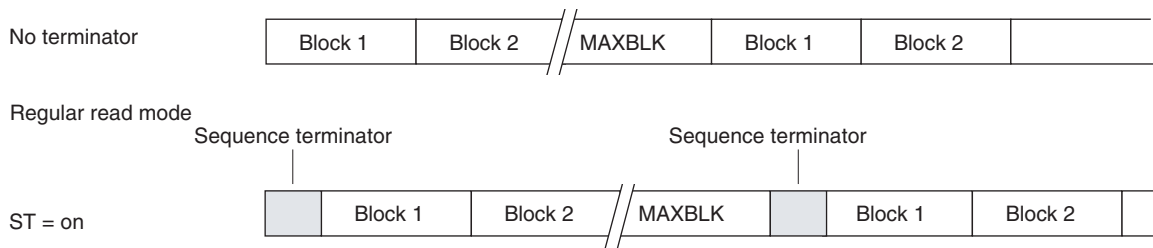
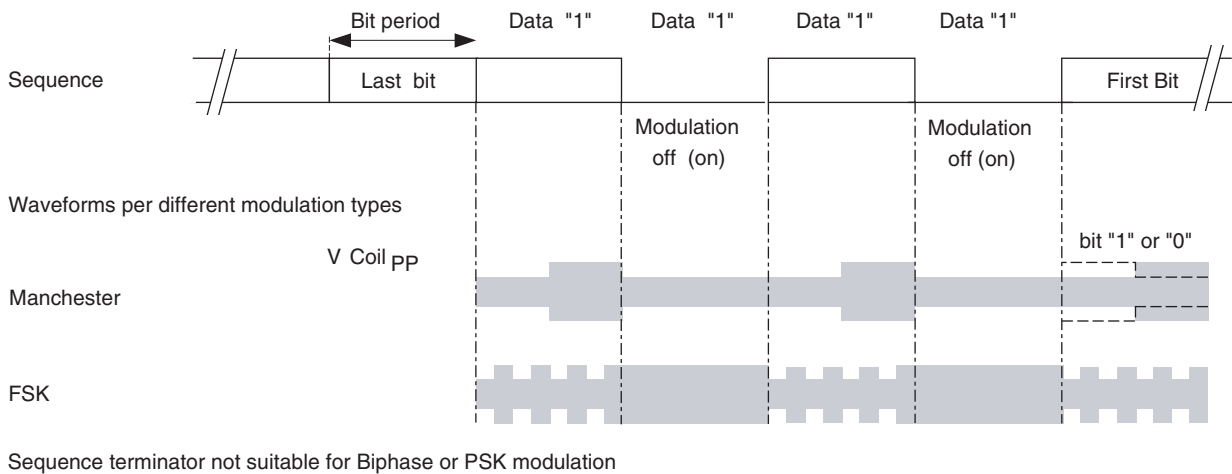


Figure 5-3. e5550-compatible Sequence Terminator Waveforms



5.6 Reader-to-tag Communication

Data is written to the tag by interrupting the RF field with short field gaps (on-off keying) in accordance with the e5550 write method. The time between two gaps encodes the “0” or “1” information to be transmitted (pulse interval encoding). The duration of the gaps is usually 50 μ s to 150 μ s. The time between two gaps is nominally 24 field clocks for a “0” and 54 field clocks for a “1”. When there is no gap for more than 64 field clocks after a previous gap, the ATA5570 exits the write mode. The tag starts with the command execution if the correct number of bits were received. If there is a failure detected the ATA5570 does not continue and will enter regular-read mode.

5.7 Start Gap

The initial gap is referred to as the start gap. This triggers the reader-to-tag communication. During this mode of operation, the receive damping is permanently enabled to ease gap detection. The start gap may need to be longer than subsequent gaps in order to be detected reliably.

A start gap will be accepted at any time after the mode register has been loaded (≥ 3 ms). A single gap will not change the previously selected page (by former opcode “10” or “11”).

Figure 5-4. Start of Reader-to-tag Communication

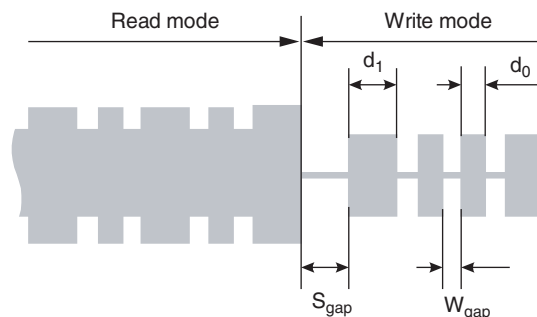


Table 5-1. Write-data Decoding Scheme

Parameters	Remark	Symbol	Min	Max	Unit
Start gap	–	Sgap	10	50	FC
Write gap	Normal write mode	Wgap	8	30	FC
Write data in normal mode	“0” data	d0	16	31	FC
	“1” data	d1	48	63	FC

5.8 Write-data Protocol

The ATA5570 expects to receive a dual-bit opcode as the first two bits of a reader command sequence. There are three valid opcodes:

- The opcodes “10” and “11” precede all block-write and direct-access operations for page 0 and page 1
- The RESET opcode “00” initiates a POR cycle
- The opcode “01” precedes all test-mode write operations. Any test-mode access is ignored after the master key (bits 1 to 4) in block 0 has been set to “6”. Any further modifications of the master key are prohibited by setting the lock bit of block 0 or the OTP bit.

Writing has to follow these rules:

- Standard write needs the opcode, the lock bit, 32 data bits and the 3-bit address (38 bits total)
- Protected write (PWD bit set) requires a valid 32-bit password after opcode and before data and address bits
- For the AOR wake-up command an opcode and a valid password are necessary to select and activate a specific tag

Note: The data bits are read in the same order as written.

If the transmitted command sequence is invalid, the ATA5570 enters regular-read mode with the previously selected page (by former opcode “10” or “11”).

Figure 5-5. Complete Writing Sequence

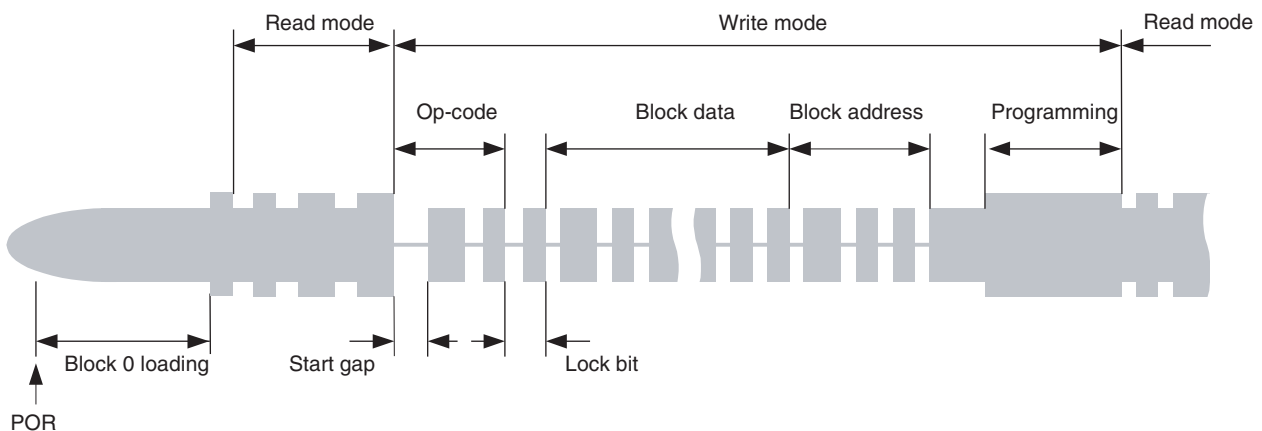


Figure 5-6. ATA5570 Command Formats

	OP									
Standard write	1p*	L	1	Data	32	2	Addr	0		
Protected write	1p*	1	Password	32	L	1	Data	32	2	Addr 0
AOR (wake-up command)	10	1	Password	32						
Direct access (PWD = 1)	1p*	1	Password	32	0	2	Addr	0		
Direct access (PWD = 0)	1p*	0	2	Addr	0					
Page 0/1 regular read	1p*									
Reset command	00									

* p = page selector

5.9 Password

When password mode is active (PWD = 1), the first 32 bits after the opcode are regarded as the password. They are compared bit-by-bit with the contents of block 7, starting at bit 1. If the comparison fails, the ATA5570 will not program the memory, instead it will restart in regular-read mode once the command transmission is finished.

Note: In password mode, MAXBLK should be set to a value below 7 to prevent the password from being transmitted by the ATA5570.

Each transmission of the direct access command (two opcode bits, 32 bits password, “0” bit plus 3 address bits = 38 bits) needs about 18 ms. Testing all possible combinations (about 4.3 billion) would take about two years.

5.10 Answer-on-request (AOR) Mode

When the AOR bit is set, the ATA5570 does not start modulation in the regular-read mode after loading configuration block 0. The tag waits for a valid AOR data stream (“wake-up command”) from the reader before modulation is enabled. The wake-up command consists of the opcode (“10”) followed by a valid password. The selected tag will remain active until the RF field is turned off or a new command with a different password is transmitted which may address another tag in the RF field.

Table 5-2. ATA5570 – Modes of Operation

PWD	AOR	Behavior of Tag After Reset Command or POR	De-activate Function
1	1	Answer-on-request (AOR) mode: - Modulation starts after wake-up with a matching password - Programming needs valid password	Command with non-matching password deactivates the selected tag
1	0	Password mode: - Modulation in regular-read mode starts after reset - Programming and direct access needs valid password	
0	--	Normal mode: - Modulation in regular-read mode starts after reset - Programming and direct access without password	

Figure 5-7. Answer-on-request (AOR) Mode

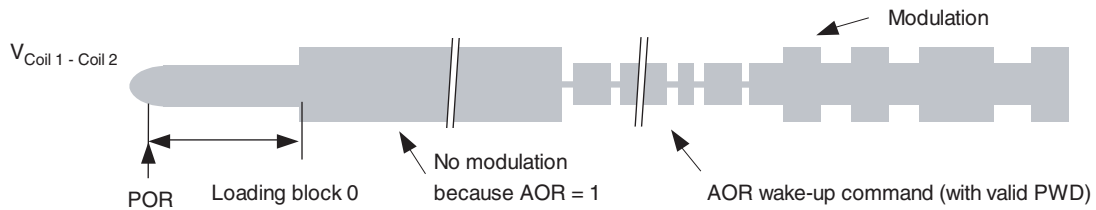


Figure 5-8. Coil Voltage After Programming of a Memory Block

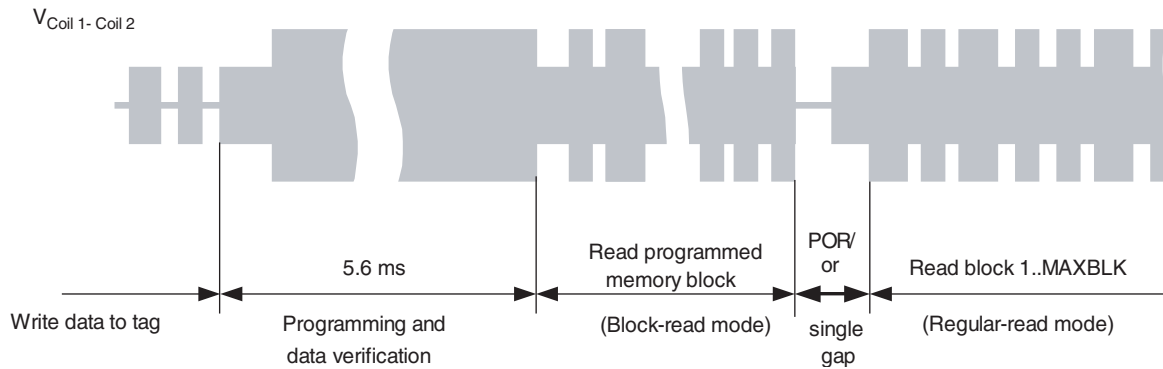
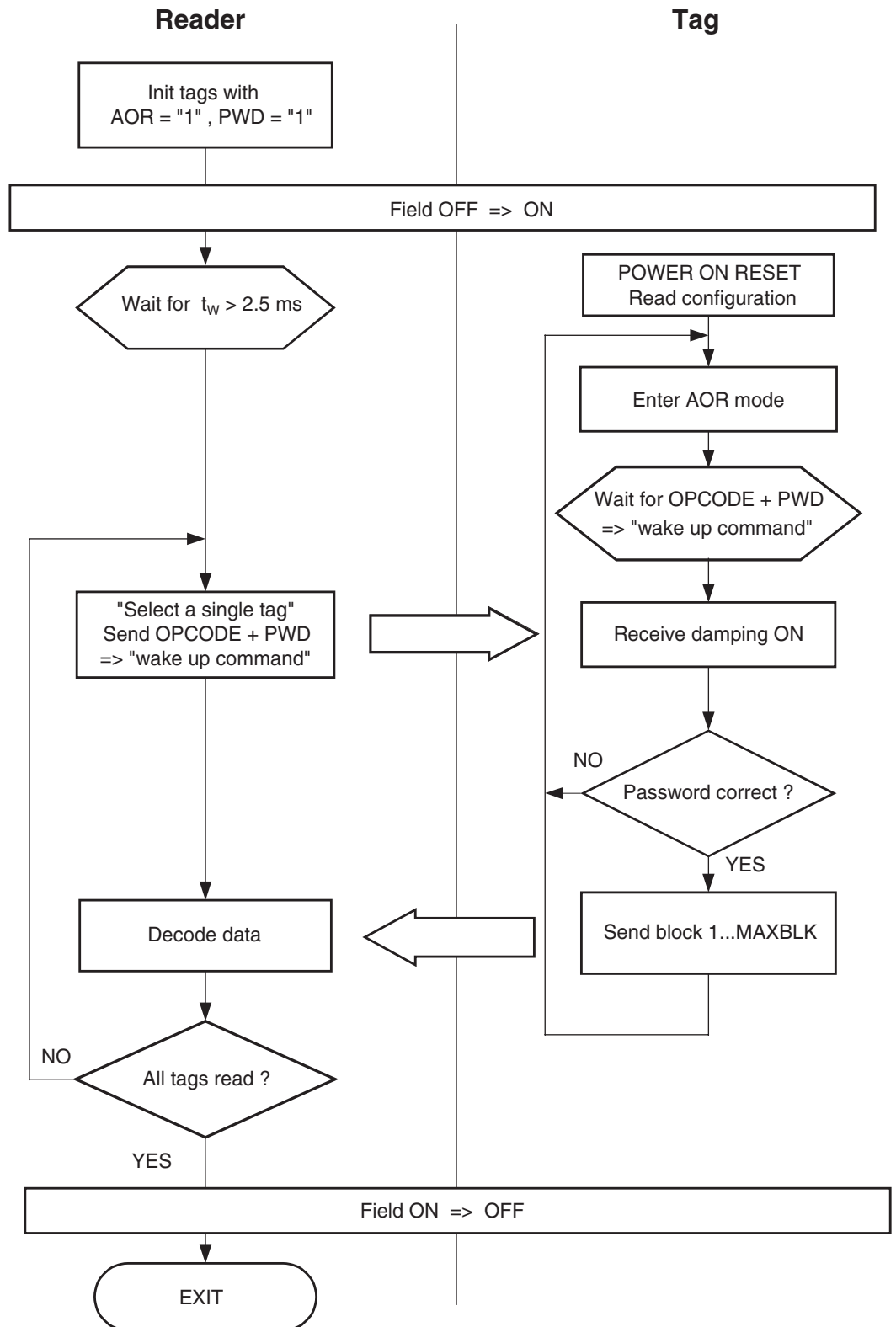


Figure 5-9. Anticollision Procedure Using AOR Mode



5.11 Programming

When all necessary information has been received by the ATA5570, programming may proceed. There is a clock delay between the end of the writing sequence and the start of programming.

Typical programming time is 5.6 ms. This cycle includes a data verification read to grant secure and correct programming. After programming is successfully executed, the ATA5570 enters block-read mode transmitting the block just programmed ([Figure 5-8 on page 13](#)).

Note: This timing and behavior is different from the e555x-family predecessors.

6. Error Handling

Several error conditions can be detected to ensure that only valid bits are programmed into the EEPROM. There are two error types, which lead to two different actions.

6.1 Errors During Writing

The following detectable errors could occur during writing data to the ATA5570:

- Wrong number of field clocks between two gaps (i.e., not a valid “1” or “0” pulse stream)
- Password mode is activated and the password does not match the contents of block 7
- The number of bits received in the command sequence is incorrect

Valid bit counts accepted by the ATA5570 are:

Password write	70 bits	(PWD = 1)
Standard write	38 bits	(PWD = 0)
AOR wake up	34 bits	(PWD = 1)
Direct access with PWD	38 bits	(PWD = 1)
Direct access	6 bits	(PWD = 0)
Reset command	2 bits	
Page 0/1 regular-read	2 bits	

If any of these erroneous conditions are detected, the ATA5570 enters regular-read mode, starting with block 1 of the page defined in the command sequence.

6.2 Errors Before/During Programming

If the command sequence was received successfully, the following error could still prevent programming:

- The lock bit of the addressed block is already set

In case of a locked block, programming mode will not be entered. The ATA5570 reverts to block-read mode, continuously transmitting the currently addressed block.

7. ATA5570 in Extended Mode (X-mode)

In general, the block 0 setting of the master key (bits 1 to 4) to the value “6” or “9” together with the X-mode bit will enable the extended mode functions.

- Master key = “9”: Test mode access and extended mode are both enabled.
- Master key = “6”: Any test mode access will be denied but the extended mode is still enabled.

Any other master key setting will prevent the activation of the ATA5570 extended mode options, even when the X-mode bit is set.

7.1 Binary Bit-rate Generator

In extended mode the data rate is binary programmable to operate at any data rate between RF/2 and RF/128 as given in the formula below.

$$\text{Data rate} = \text{RF}/(2n + 2)$$

7.2 OTP Functionality

If the OTP bit is set to “1”, all memory blocks are write protected and behave as if all lock bits are set to “1”. If, additionally, the master key is set to “6”, the ATA5570 mode of operation is locked forever (= OTP functionality).

If the master key is set to “9”, the test-mode access allows the re-configuration of the tag.

Figure 7-1. Block 0 – Configuration Map in Extended Mode (X-mode)

L	1	2	3	4	5	6	7	8	9	10	11	12	13	14	15	16	17	18	19	20	21	22	23	24	25	26	27	28	29	30	31	32									
	1	0	0	1	0	0	0	0							1																										
Lock Bit	Master Key Note 1), 2)								n5	n4	n3	n2	n1	n0	X-Mode	Modulation				PSK- CF	AOR	OTP	MAX-BLOCK			PWD	ST-Sequence Terminator	Fast Write	Inverse Data	POR Delay											
					Data Bit Rate RF/(2n + 2)												0	0	RF/2																						
	0	Unlocked								Direct				0	0	0	0	0	0	0	1	1	0	0	0	0					0	0	0	0	0	0					
	1	Locked								PSK1				0	0	0	0	1	1	0	0	1	0	0	0	0					0	0	0	0	0	0	0				
										PSK2				0	0	0	1	0	0	0	1	0	0	0	0	0					0	0	0	0	0	0	0	0			
										PSK3				0	0	0	1	1	0	0	0	0	0	0	0	0					0	0	0	0	0	0	0	0			
										FSK1				0	0	1	0	0	0	0	0	0	0	0	0	0					0	0	0	0	0	0	0	0	0		
										FSK2				0	0	1	0	1	0	0	0	0	0	0	0	0					0	0	0	0	0	0	0	0	0	0	
										Mode-Defeat 1				0	0	1	1	0	0	0	0	0	0	0	0	0					0	0	0	0	0	0	0	0	0	0	
										Mode-Defeat 2				0	0	1	1	1	0	0	0	0	0	0	0	0					0	0	0	0	0	0	0	0	0	0	0
										Manchester				0	1	0	0	0	0	0	0	0	0	0	0	0					0	0	0	0	0	0	0	0	0	0	0
										Biphase ('50)				1	0	0	0	0	0	0	0	0	0	0	0	0					0	0	0	0	0	0	0	0	0	0	0
									Biphase ('57)				1	1	0	0	0	0	0	0	0	0	0	0	0	0	0	0	0	0	0	0	0	0	0	0					

1) If Master Key = 6 and bit 15 set, then test-mode access is disabled and extended mode is active
 2) If Master Key = 9 and bit 15 set, then extended mode is enabled

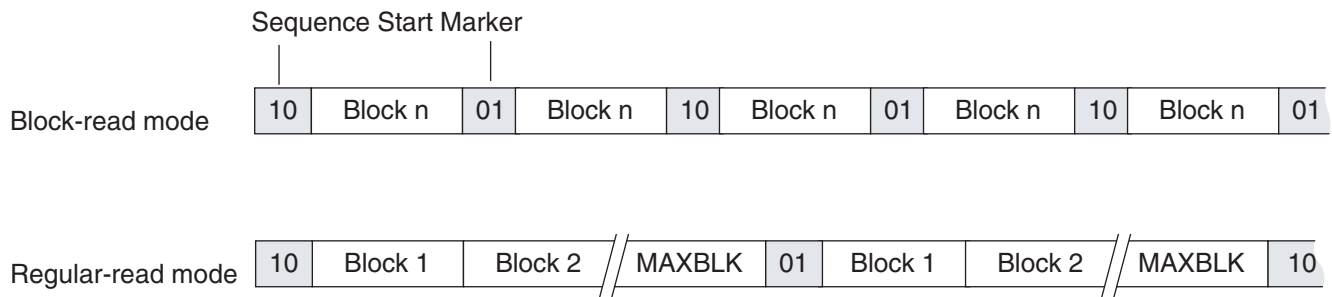
Table 7-1. ATA5570 Types of Modulation in Extended Mode and Sensor Input $R_S < 100\text{ k}\Omega$ Typical

Mode	Direct Data Output Encoding	Inverse Data Output Encoding
FSK1 ⁽¹⁾	FSK/5, FSK/8; "0" = RF/5; "1" = RF/8	FSK/8, FSK/5; "0" = RF/8; "1" = RF/5 (= FSK1a)
FSK2 ⁽¹⁾	FSK/10, FSK/8; "0" = RF/10; "1" = RF/8	FSK/8, FSK/10; "0" = RF/8; "1" = RF/10 (= FSK2a)
PSK1 ⁽²⁾	Phase change when input changes	Phase change when input changes
PSK2 ⁽²⁾	Phase change on bit clock if input high	Phase change on bit clock if input low
PSK3 ⁽²⁾	Phase change on rising edge of input	Phase change on falling edge of input
Manchester	"0" = falling edge "1" = rising edge on mid-bit	"1" = falling edge "0" = rising edge on mid-bit
Bi-phase 1 ('50)	"1" creates an additional mid-bit change	"0" creates an additional mid-bit change
Bi-phase 2 ('57)	"0" creates an additional mid-bit change	"1" creates an additional mid-bit change
NRZ	"1" = damping on, "0" = damping off	"0" = damping on, "1" = damping off

- Notes: 1. A common multiple of bit rate and FSK frequencies is recommended.
 2. In PSK mode the selected data rate has to be an integer multiple of the PSK sub-carrier frequency.

7.3 Sequence Start Marker

Figure 7-2. ATA5570 Sequence Start Marker in Extended Mode

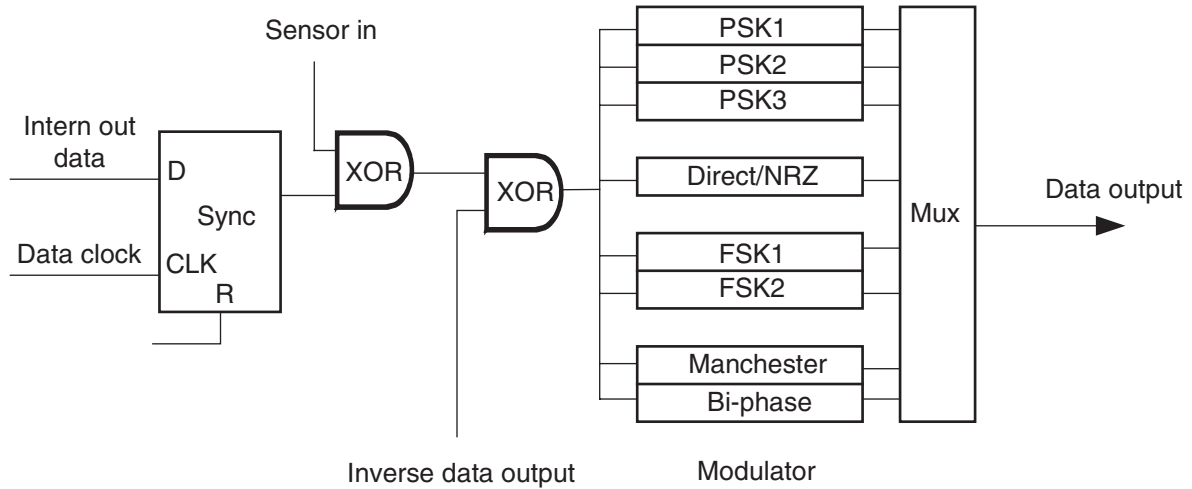


The ATA5570 sequence-start marker is a special damping pattern which may be used to synchronize the reader. The sequence start marker consists of two bits ("01" or "10") which are inserted as header before the first block to be transmitted if the bit 29 in extended mode is set. At the start of a new block sequence, the value of the two bits is inverted.

7.4 Inverse Data Output

The ATA5570 supports in its extended mode (X-mode) an inverse data output option. If inverse data is enabled, the modulator as shown in Figure 7-3 works on inverted data (see Table 7-1). This function is supported for all basic types of encoding. Table 7-1 shows the modulation, when $R_S < 100\text{ k}\Omega$ typical.

Figure 7-3. Data Encoder for Inverse Data Output



7.5 Fast Write

In the optional fast-write mode the time between two gaps is nominally 12 field clocks for a “0” and 27 field clocks for a “1”. When there is no gap for more than 32 field clocks after a previous gap, the ATA5570 will exit the write mode. Please refer to Table 7-2 and Figure 5-6 on page 12.

Table 7-2. Fast Write Decoding Schemes

Parameters	Remark	Symbol	Min	Max	Unit
Start gap	–	Sgap	10	50	FC
Write gap	Normal write mode	Wngap	8	30	FC
	Fast write mode	Wfgap	8	20	FC
Write data in normal mode	“0” data	d0	16	31	FC
	“1” data	d1	48	63	FC
Write data in fast mode	“0” data	d0	8	15	FC
	“1” data	d1	24	31	FC

Figure 7-4. Example of Manchester Coding With Data Rate RF/16

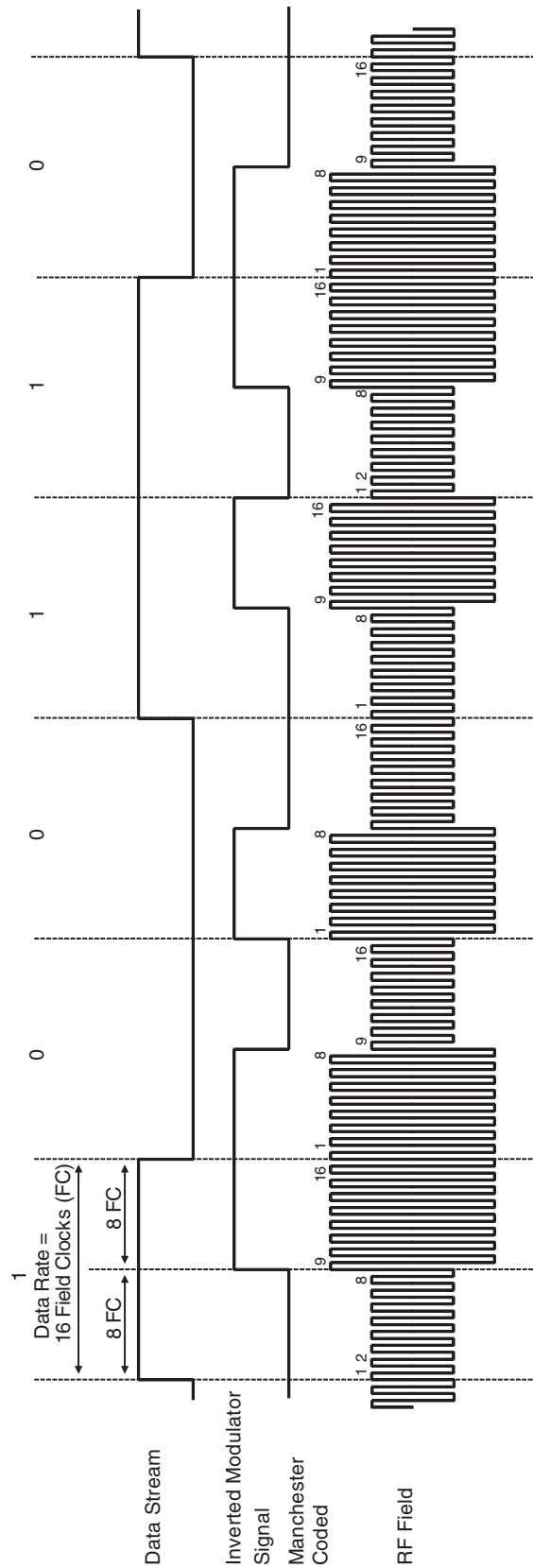


Figure 7-5. Example of Bi-phase Coding With Data Rate RF/16

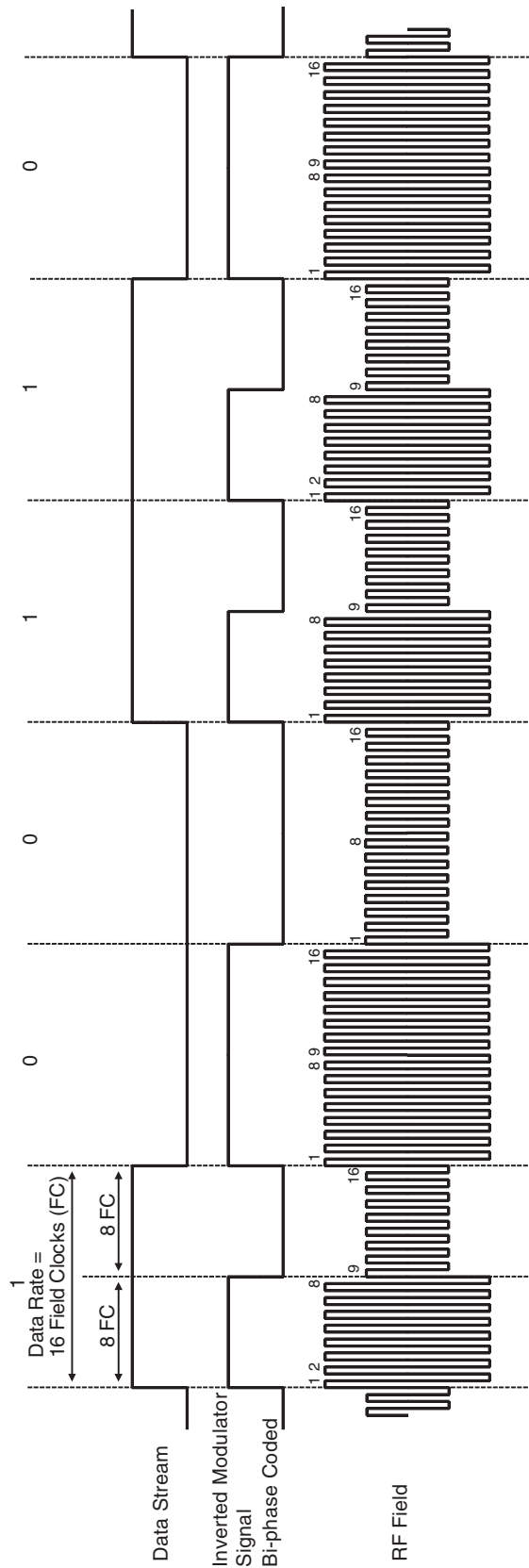


Figure 7-6. Example: FSK1a Coding With Data Rate $RF/40$, Subcarrier $f_0 = RF/8$, $f_1 = RF/5$

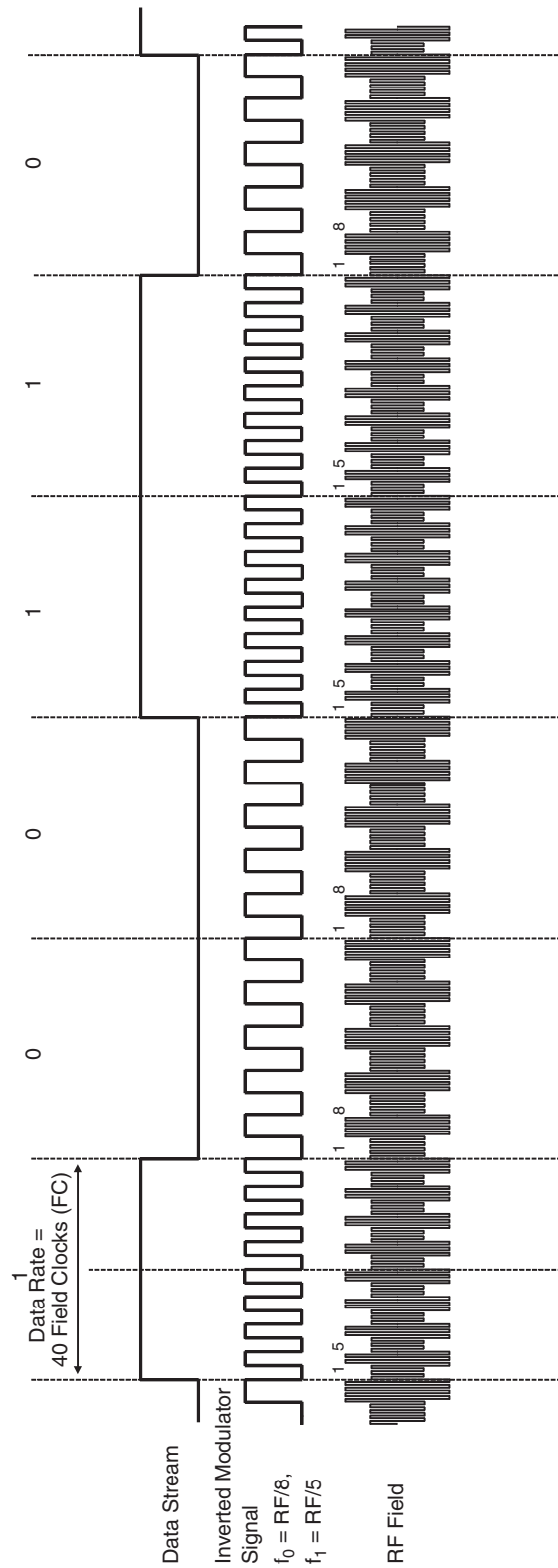


Figure 7-7. Example of PSK1 Coding With Data Rate $RF/16$

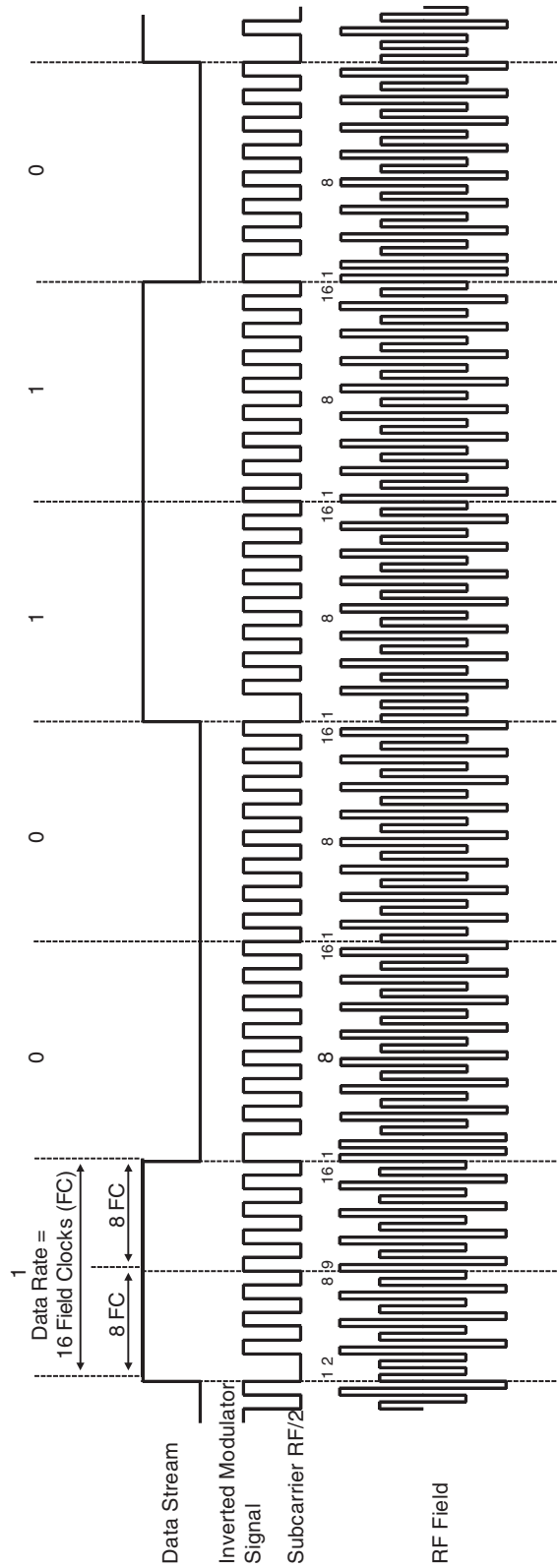


Figure 7-8. Example of PSK2 Coding With Data Rate $RF/16$

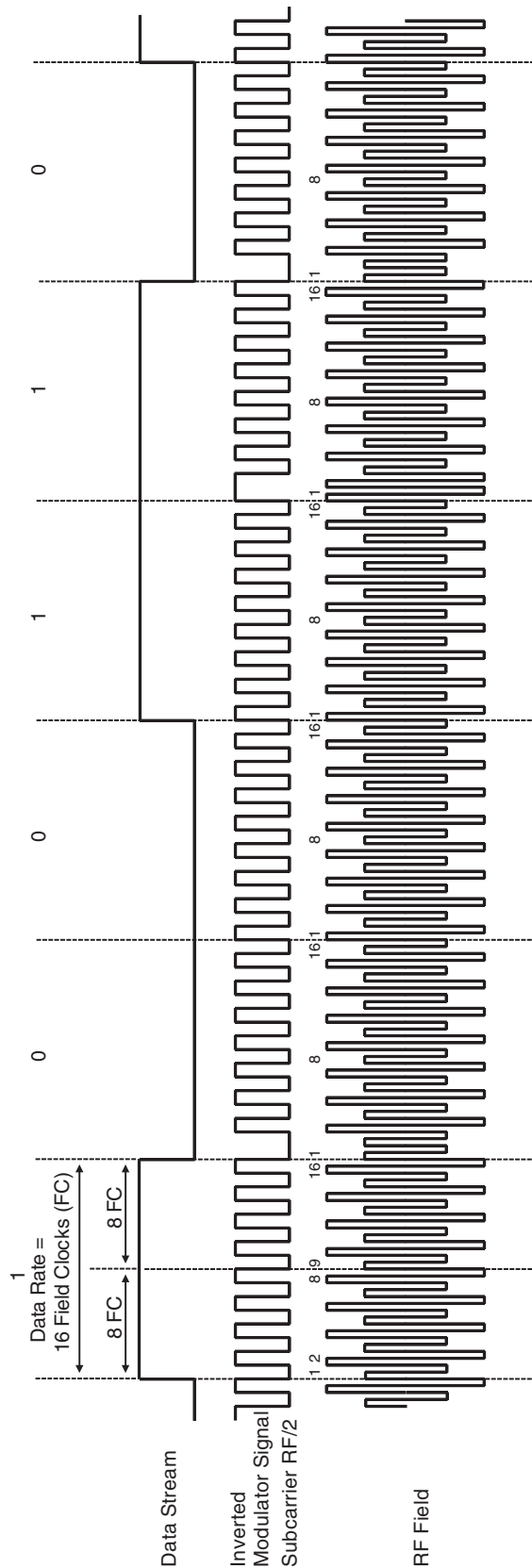
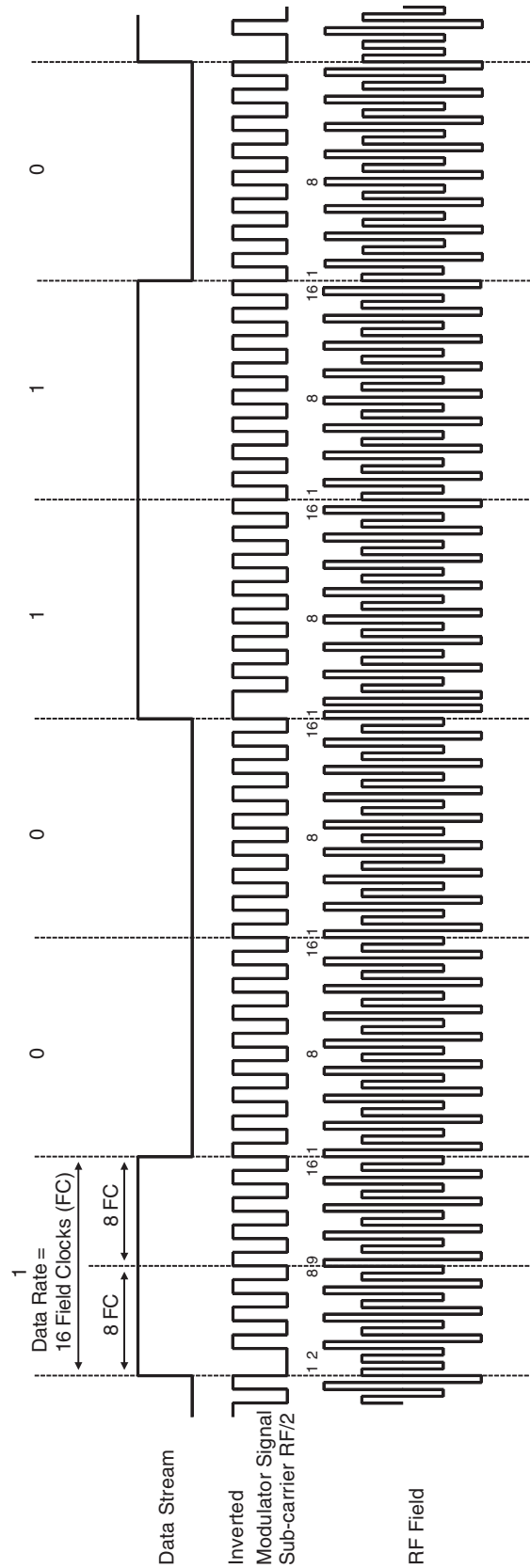


Figure 7-9. Example of PSK3 Coding With Data Rate $RF/16$



8. Absolute Maximum Ratings

Stresses beyond those listed under “Absolute Maximum Ratings” may cause permanent damage to the device. This is a stress rating only and functional operation of the device at these or any other conditions beyond those indicated in the operational sections of this specification is not implied. Exposure to absolute maximum rating conditions for extended periods may affect device reliability.

Parameters	Pin	Symbol	Value	Unit
Maximum DC current into COIL1/COIL2 (t = 1 ms)	2, 7	I_{coil}	20	mA
Maximum AC current into COIL1/COIL2 (f = 125 kHz)	2, 7	$I_{coil p}$	20	mA
Power dissipation (dice) ⁽¹⁾	2, 7	P_{tot}	100	mW
Operating ambient temperature range		T_{amb}	-25 to +105	°C
Storage temperature range ⁽²⁾		T_{stg}	-40 to +150	°C

- Notes: 1. Free-air condition, time of application: 1 s
2. Data retention reduced at high temperature

9. Operating Characteristics

All parameters given are valid for $T_{amb} = +25^{\circ}\text{C}$ and $f_{coil} = 125\text{ kHz}$, unless otherwise specified.

No.	Parameters	Test Conditions	Pin	Symbol	Min	Typ	Max	Unit	Type*
1	RF frequency range		2, 7	f_{RF}	100	125	150	kHz	
2.1 2.2	Supply current (without current consumed by the external LC tank circuit and without external resistance on sensor input)	$T_{amb} = 25^{\circ}\text{C}$	2, 7	I_{DD}		1.5	3	μA	T
		Read $T_{amb} = -25^{\circ}\text{C}$ to $+85^{\circ}\text{C}$	2, 7	I_{DD}		2	4	μA	Q
3.1	Coil voltage (AC supply)	Necessary for read ⁽¹⁾	2, 7	$V_{coil pp}$	10		V_{clamp}	V_{pp}	Q
4	Clamp voltage	10 mA current into COIL1/COIL2	2, 7	V_{clamp}	17		23	V_{pp}	T
5	Startup time ⁽²⁾			$t_{startup}$		2.5	3	ms	Q
6.1 6.2	Data retention	$T_{op} = 55^{\circ}\text{C}$		$t_{retention}$	10	20	50	year	Q
		$T_{stg} = 150^{\circ}\text{C}$		$t_{retention}$	96			h	T ⁽³⁾
7	Programming cycles	Erase all/Write all		n_{cycle}	100,000			cycles	Q
8	Sensor Input	Trip point resistance (modulation inverted)	4, 5	R_T	50	100	200	$k\Omega$	T
9	Resonance capacitor C_R	See Figure 2-1 on page 2		C_R	323	340	357	pF	T
10	Q-factor of coil L_R			Q_L	15	20	25		Q

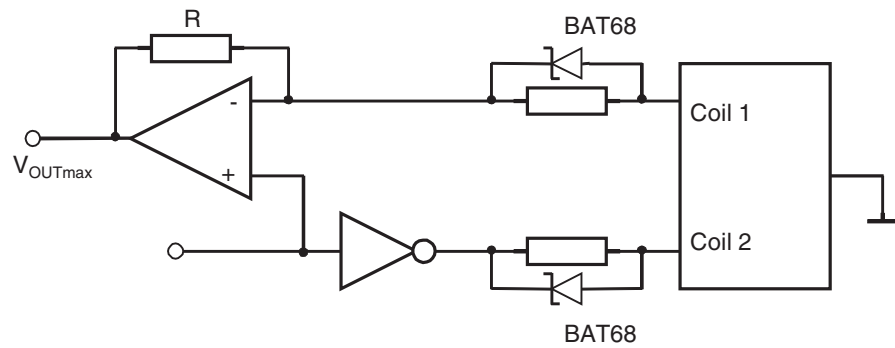
*) Type means: A = 100% tested, B = 100% correlation tested, C = Characterized on samples, D = Design parameter, Q = guaranteed based on initial product qualification data, T = directly or indirectly tested during production.

- Notes: 1. Current into COIL1/COIL2 has to be limited to 20 mA
2. Time from field on to modulation start
3. Tested on wafer basis

10. Reliability

Parameters	Symbol	Value	Unit
Electrostatic discharge ESD S.5.1 (Human Body Model)	V_{max}	2000	V
Electrostatic discharge JEDEC A115A (Machine Model)	V_{max}	200	V
Lifetime in SO8 at $T_{op} = 150^{\circ}C$	t_L	1008	h

Figure 10-1. Measurement Setup for I_{DD} and V_{mod}

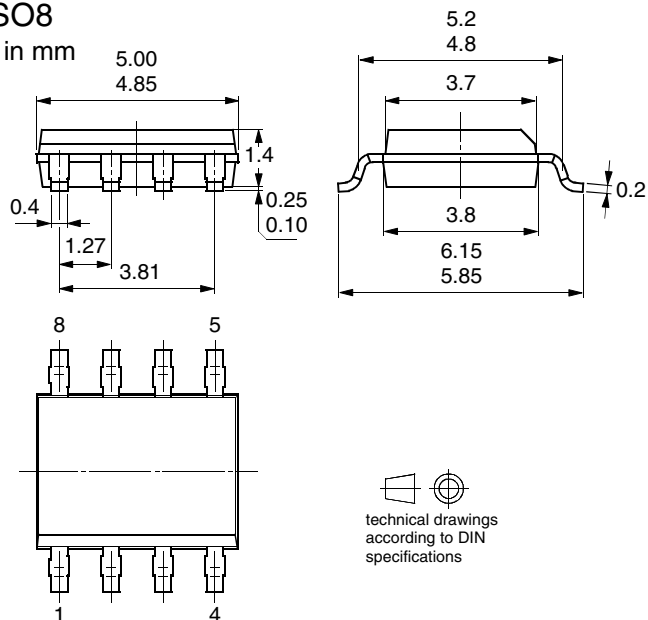


11. Ordering Information

Extended Type Number	Package	Remarks
ATA5570-TAQY	SO8	–
(ATA557001-DDW) planned	Wafer	–

12. Package Information

Package SO8
Dimensions in mm





Atmel Corporation

2325 Orchard Parkway
San Jose, CA 95131, USA
Tel: 1(408) 441-0311
Fax: 1(408) 487-2600

Regional Headquarters

Europe

Atmel Sarl
Route des Arsenaux 41
Case Postale 80
CH-1705 Fribourg
Switzerland
Tel: (41) 26-426-5555
Fax: (41) 26-426-5500

Asia

Room 1219
Chinachem Golden Plaza
77 Mody Road Tsimshatsui
East Kowloon
Hong Kong
Tel: (852) 2721-9778
Fax: (852) 2722-1369

Japan

9F, Tonetsu Shinkawa Bldg.
1-24-8 Shinkawa
Chuo-ku, Tokyo 104-0033
Japan
Tel: (81) 3-3523-3551
Fax: (81) 3-3523-7581

Atmel Operations

Memory

2325 Orchard Parkway
San Jose, CA 95131, USA
Tel: 1(408) 441-0311
Fax: 1(408) 436-4314

Microcontrollers

2325 Orchard Parkway
San Jose, CA 95131, USA
Tel: 1(408) 441-0311
Fax: 1(408) 436-4314

La Chantrerie
BP 70602
44306 Nantes Cedex 3, France
Tel: (33) 2-40-18-18-18
Fax: (33) 2-40-18-19-60

ASIC/ASSP/Smart Cards

Zone Industrielle
13106 Rousset Cedex, France
Tel: (33) 4-42-53-60-00
Fax: (33) 4-42-53-60-01

1150 East Cheyenne Mtn. Blvd.
Colorado Springs, CO 80906, USA
Tel: 1(719) 576-3300
Fax: 1(719) 540-1759

Scottish Enterprise Technology Park
Maxwell Building
East Kilbride G75 0QR, Scotland
Tel: (44) 1355-803-000
Fax: (44) 1355-242-743

RF/Automotive

Theresienstrasse 2
Postfach 3535
74025 Heilbronn, Germany
Tel: (49) 71-31-67-0
Fax: (49) 71-31-67-2340

1150 East Cheyenne Mtn. Blvd.
Colorado Springs, CO 80906, USA
Tel: 1(719) 576-3300
Fax: 1(719) 540-1759

Biometrics/Imaging/Hi-Rel MPU/ High Speed Converters/RF Datacom

Avenue de Rochepleine
BP 123
38521 Saint-Egreve Cedex, France
Tel: (33) 4-76-58-30-00
Fax: (33) 4-76-58-34-80

Literature Requests

www.atmel.com/literature

Disclaimer: The information in this document is provided in connection with Atmel products. No license, express or implied, by estoppel or otherwise, to any intellectual property right is granted by this document or in connection with the sale of Atmel products. **EXCEPT AS SET FORTH IN ATMEL'S TERMS AND CONDITIONS OF SALE LOCATED ON ATMEL'S WEB SITE, ATMEL ASSUMES NO LIABILITY WHATSOEVER AND DISCLAIMS ANY EXPRESS, IMPLIED OR STATUTORY WARRANTY RELATING TO ITS PRODUCTS INCLUDING, BUT NOT LIMITED TO, THE IMPLIED WARRANTY OF MERCHANTABILITY, FITNESS FOR A PARTICULAR PURPOSE, OR NON-INFRINGEMENT. IN NO EVENT SHALL ATMEL BE LIABLE FOR ANY DIRECT, INDIRECT, CONSEQUENTIAL, PUNITIVE, SPECIAL OR INCIDENTAL DAMAGES (INCLUDING, WITHOUT LIMITATION, DAMAGES FOR LOSS OF PROFITS, BUSINESS INTERRUPTION, OR LOSS OF INFORMATION) ARISING OUT OF THE USE OR INABILITY TO USE THIS DOCUMENT, EVEN IF ATMEL HAS BEEN ADVISED OF THE POSSIBILITY OF SUCH DAMAGES.** Atmel makes no representations or warranties with respect to the accuracy or completeness of the contents of this document and reserves the right to make changes to specifications and product descriptions at any time without notice. Atmel does not make any commitment to update the information contained herein. Unless specifically provided otherwise, Atmel products are not suitable for, and shall not be used in, automotive applications. Atmel's products are not intended, authorized, or warranted for use as components in applications intended to support or sustain life.

© Atmel Corporation 2005. All rights reserved. Atmel®, logo and combinations thereof, Everywhere You Are® and others, are registered trademarks or trademarks of Atmel Corporation or its subsidiaries. Other terms and product names may be trademarks of others.



Printed on recycled paper.

4863A-RFID-07/05