



# High-Side MOSFET Driver for HB LED Drivers and DC-DC Applications

## General Description

The MAX15054 is a high-side, n-channel MOSFET driver for high-voltage applications capable of switching at high frequencies. This device is controlled by a CMOS logic-level signal referenced to ground and features a very short (12ns, typ) propagation delay from input to output. The high-voltage operation and high source/sink-current capability make the MAX15054 ideal for HB LED drivers and DC-DC converters.

The MAX15054 is well suited to complement other Maxim LED driver products such as the MAX16814, MAX16838, MAX16833, MAX16834, and MAX16826. The MAX15054 adds a high-side driver to those products that include only a low-side driver; it then allows for buck-boost configurations for multistring drivers similar to the MAX16814, MAX16838, and MAX16826, and for buck-boost conversion with output referenced to ground for single-string drivers such as the MAX16834 and MAX16833.

The MAX15054 is available in the industry-standard 6-pin SOT23 package and operates over the -40°C to +125°C automotive temperature range.

## Applications

HB LED Drivers for Single and Multiple Strings  
LED Backlight Drivers  
High-Side Driver for DC-DC Converters  
(Buck, Buck-Boost, Half-Bridge, Full-Bridge)

## Features

- ◆ Input Voltage on High-Side n-Channel MOSFET Up to 60V
- ◆ Up to 13.5V Logic Input Independent of Supply Voltage
- ◆ 2A Peak Source and Sink Current
- ◆ 12ns Propagation Delay
- ◆ Rise and Fall Times of 6ns while Driving 1000pF Capacitance
- ◆ Low Input Capacitance
- ◆ Low-Side and High-Side Undervoltage Protection
- ◆ Allows Buck-Boost Topology Referred to Ground for LED Drivers and DC-DC Converters
- ◆ Allows Buck-Boost Topology for Multistring LED Drivers
- ◆ 6-Pin SOT23 Package

## Ordering Information

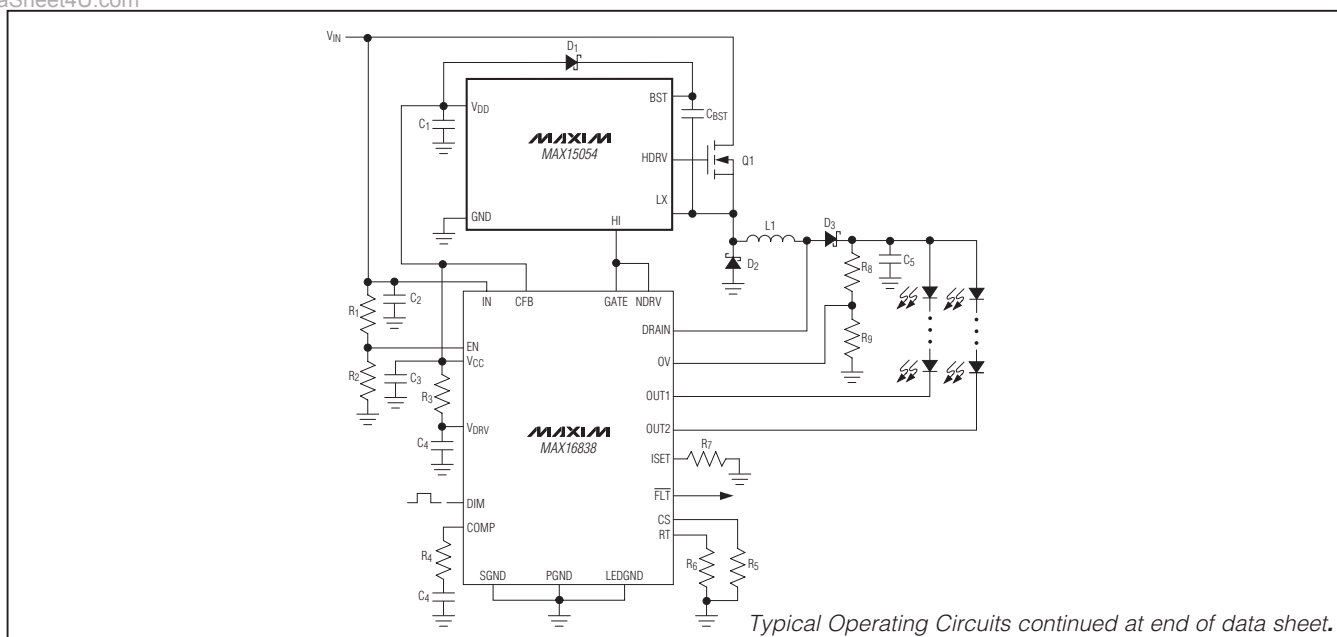
PART	TEMP RANGE	PIN-PACKAGE	TOP MARK
MAX15054AUT+	-40°C to +125°C	6 SOT23	ACOM

+ Denotes a lead(Pb)-free/RoHS-compliant package.

Pin Configuration appears at end of data sheet.

## Typical Operating Circuits

www.DataSheet4U.com



# High-Side MOSFET Driver for HB LED Drivers and DC-DC Applications

## ABSOLUTE MAXIMUM RATINGS

V <sub>DD</sub> to GND	-0.3V to +6V
LX to GND	-2V to +65V
HDRV to LX	-0.3V to (V <sub>DD</sub> + 0.3V)
BST to LX	-0.3V to +6V
HI to GND	-0.3V to +15V
dV/dt at LX	50V/ns
Peak Current into HDRV (< 100ns)	±2A
Continuous Current into HDRV	±100mA
Continuous Power Dissipation (T <sub>A</sub> = +70°C)	
6-Pin SOT23 (derate 8.7mW/°C above +70°C)	695.7mW

Thermal Resistance (Note 1)

Junction-to-Ambient Thermal Resistance (θ <sub>JA</sub> )	115°C/W
Junction-to-Case Thermal Resistance (θ <sub>JC</sub> )	80°C/W
Operating Temperature Range	-40°C to +125°C
Maximum Junction Temperature	+150°C
Storage Temperature Range	-65°C to +150°C
Lead Temperature (soldering, 10s)	+300°C

**Note 1:** Package thermal resistances were obtained using the method described in JEDEC specification JESD51-7, using a four-layer board. For detailed information on package thermal considerations, refer to [www.maxim-ic.com/thermal-tutorial](http://www.maxim-ic.com/thermal-tutorial).

Stresses beyond those listed under "Absolute Maximum Ratings" may cause permanent damage to the device. These are stress ratings only, and functional operation of the device at these or any other conditions beyond those indicated in the operational sections of the specifications is not implied. Exposure to absolute maximum rating conditions for extended periods may affect device reliability.

## ELECTRICAL CHARACTERISTICS

(V<sub>DD</sub> = V<sub>BST</sub> = 5V, V<sub>LX</sub> = V<sub>GND</sub> = 0V, T<sub>A</sub> = T<sub>J</sub> = -40°C to +125°C, unless otherwise noted. Typical values are at T<sub>A</sub> = T<sub>J</sub> = +25°C, unless otherwise noted.) (Note 2)

PARAMETER	SYMBOL	CONDITIONS	MIN	TYP	MAX	UNITS
Operating Supply Voltage	V <sub>DD</sub>		4.6		5.5	V
V <sub>DD</sub> Quiescent Supply Current	I <sub>DD</sub>	No switching		40	75	μA
BST Quiescent Supply Current	I <sub>BST</sub>	No switching		65	125	μA
BST Operating Supply Current	I <sub>BSTO</sub>	f <sub>SW</sub> = 500kHz, no load		0.3	1.3	mA
V <sub>DD</sub> Undervoltage Lockout Threshold	V <sub>DD_UVLO</sub>	V <sub>DD</sub> rising	3.92	4.22	4.56	V
V <sub>DD</sub> Undervoltage Lockout Threshold Hysteresis				0.2		V
BST-to-LX Undervoltage Lockout Threshold	V <sub>BST_UVLO</sub>	BST rising	3.54	3.82	4.1	V
BST-to-LX Undervoltage Lockout Threshold Hysteresis				0.2		V
<b>LOGIC INPUT (HI)</b>						
HI Logic-High Threshold	V <sub>IH</sub>		3.9			V
HI Logic-Low Threshold	V <sub>IL</sub>				1.8	V
HI Logic-Input Hysteresis				0.9		V
HI Input Current	I <sub>IN</sub>	HI = GND	-2		+2	μA
HI Input Resistance	R <sub>IN</sub>			300		kΩ
<b>DRIVER</b>						
LX Withstand Voltage	V <sub>LX_MAX</sub>				60	V
BST Withstand Voltage	V <sub>BST_MAX</sub>				65	V
LX Pulldown Current		V <sub>LX</sub> = 2.5V	500	740	1100	μA
Driver Output Resistance (Sourcing)	R <sub>ON_HP</sub>	V <sub>BST</sub> - V <sub>LX</sub> = 4.5V, 100mA sourcing	T <sub>A</sub> = +25°C	1	1.5	Ω
			T <sub>A</sub> = +125°C	1.25	2	
Driver Output Resistance (Sinking)	R <sub>ON_HN</sub>	V <sub>BST</sub> - V <sub>LX</sub> = 4.5V, 100mA sinking	T <sub>A</sub> = +25°C	0.75	1	Ω
			T <sub>A</sub> = +125°C	1	1.5	

# High-Side MOSFET Driver for HB LED Drivers and DC-DC Applications

MAX15054

## ELECTRICAL CHARACTERISTICS (continued)

(VDD = VBST = 5V, VLX = VGND = 0V, TA = TJ = -40°C to +125°C, unless otherwise noted. Typical values are at TA = TJ = +25°C, unless otherwise noted.) (Note 2)

PARAMETER	SYMBOL	CONDITIONS	MIN	TYP	MAX	UNITS
Peak Output Current (Sourcing)	$I_{PK\_HP}$	$V_{HDRV} = 0V$		2.5		A
Peak Output Current (Sinking)	$I_{PK\_HN}$	$V_{HDRV} = 5V$		2.5		A
<b>SWITCHING CHARACTERISTICS</b>						
Rise Time	$t_R$	No-load capacitor		1.5		ns
		$C_L = 1000pF$		6		
		$C_L = 5000pF$		18		
Fall Time	$t_F$	No-load capacitor		1.5		ns
		$C_L = 1000pF$		6		
		$C_L = 5000pF$		16		
Turn-On Propagation Delay	$t_{D\_ON}$	Figure 1, $C_L = 1000pF$ (Note 3)		11	25	ns
Turn-Off Propagation Delay	$t_{D\_OFF}$	Figure 1, $C_L = 1000pF$ (Note 3)		11	25	ns

**Note 2:** All devices are 100% production tested at TA = +25°C. Limits over the operating temperature range are guaranteed by design.

**Note 3:** Guaranteed by design.

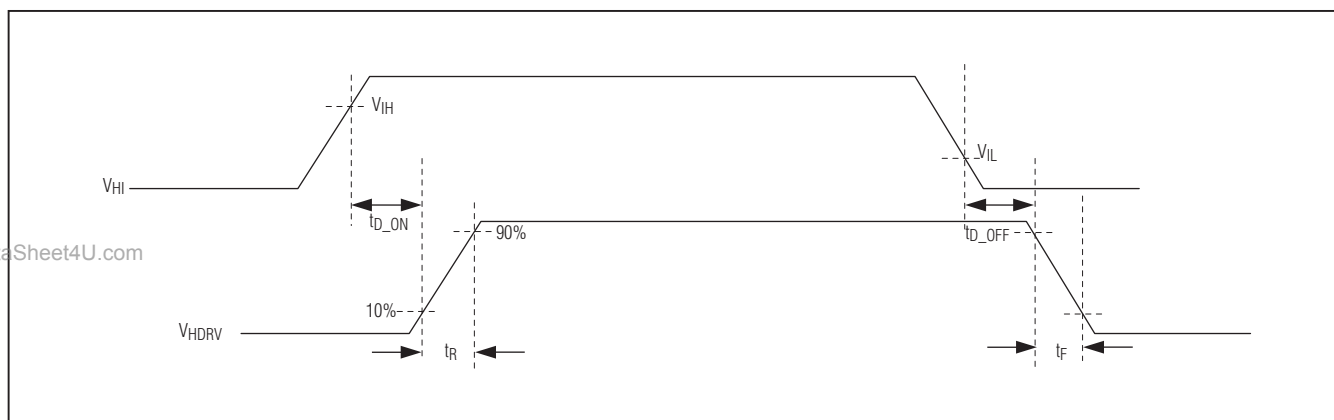
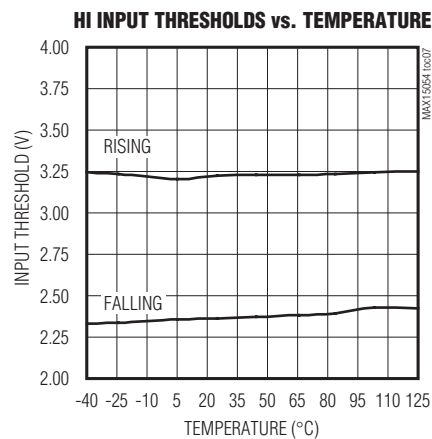
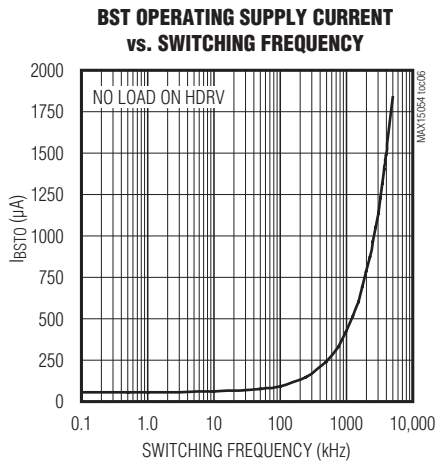
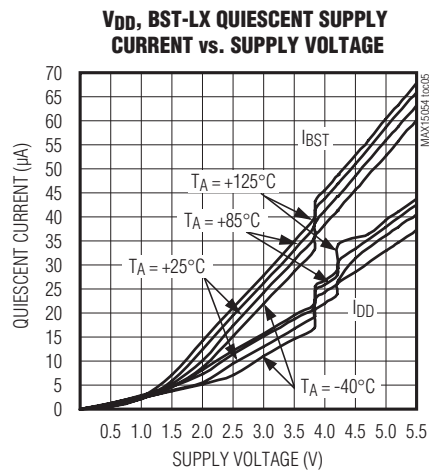
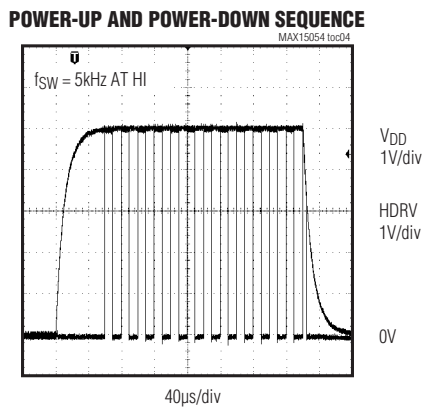
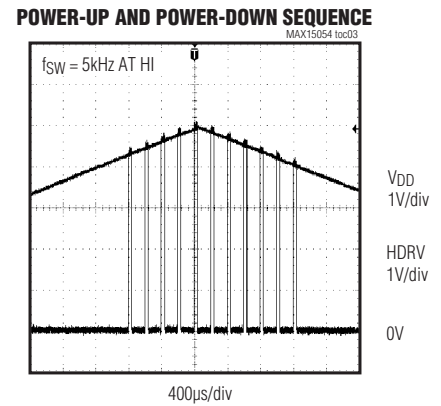
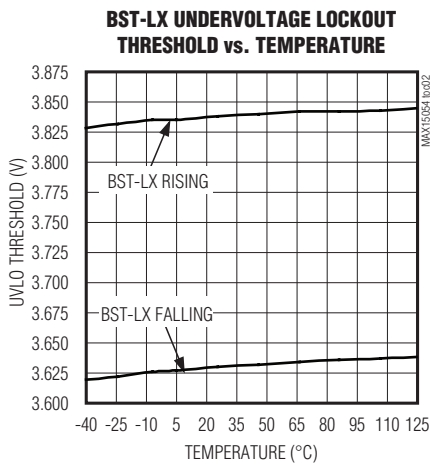
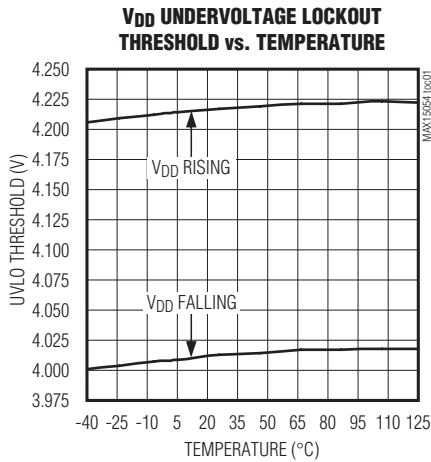


Figure 1. Turn-On/Turn-Off Propagation Delay

# High-Side MOSFET Driver for HB LED Drivers and DC-DC Applications

## Typical Operating Characteristics

( $V_{DD} = V_{BST} = 5V$ ,  $V_{LX} = V_{GND} = 0V$ ,  $T_A = +25^\circ C$ , unless otherwise noted.)

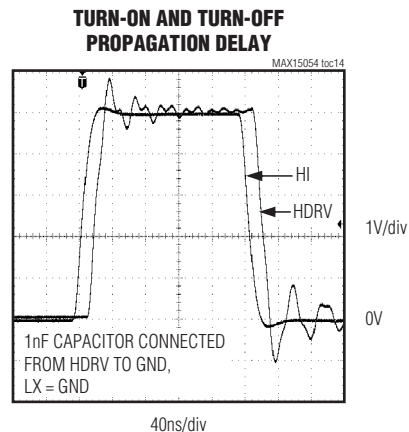
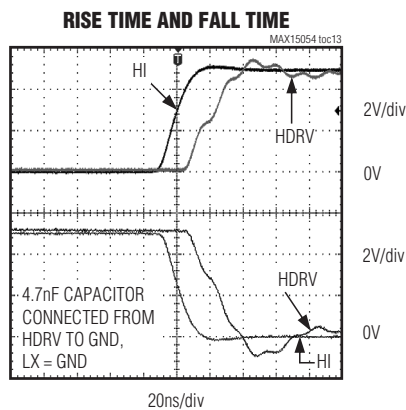
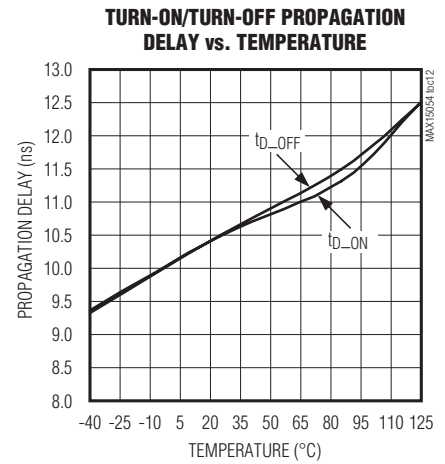
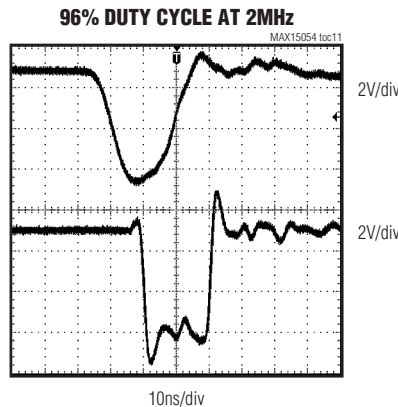
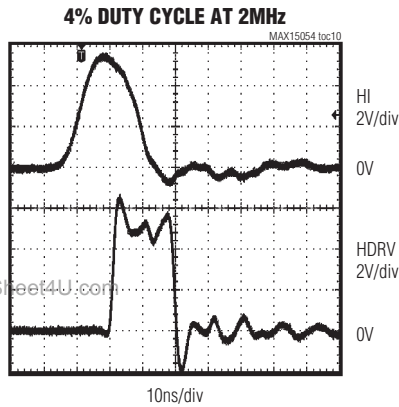
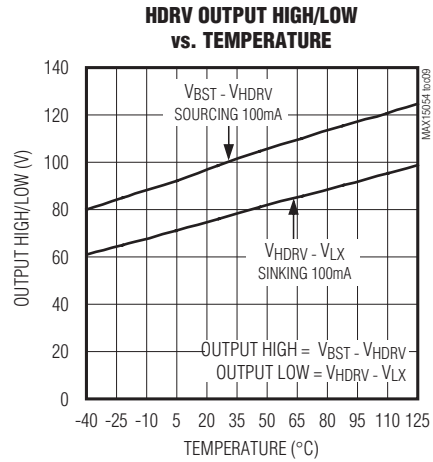
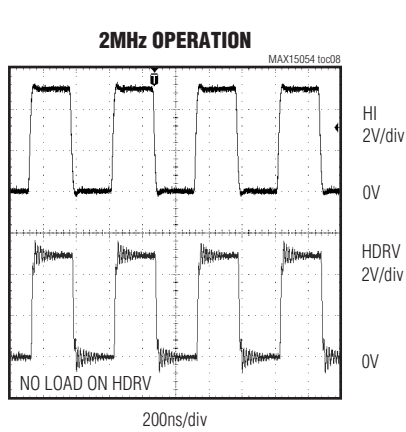


# High-Side MOSFET Driver for HB LED Drivers and DC-DC Applications

MAX15054

## Typical Operating Characteristics (continued)

(VDD = VBST = 5V, VLX = VGND = 0V, TA = +25°C, unless otherwise noted.)

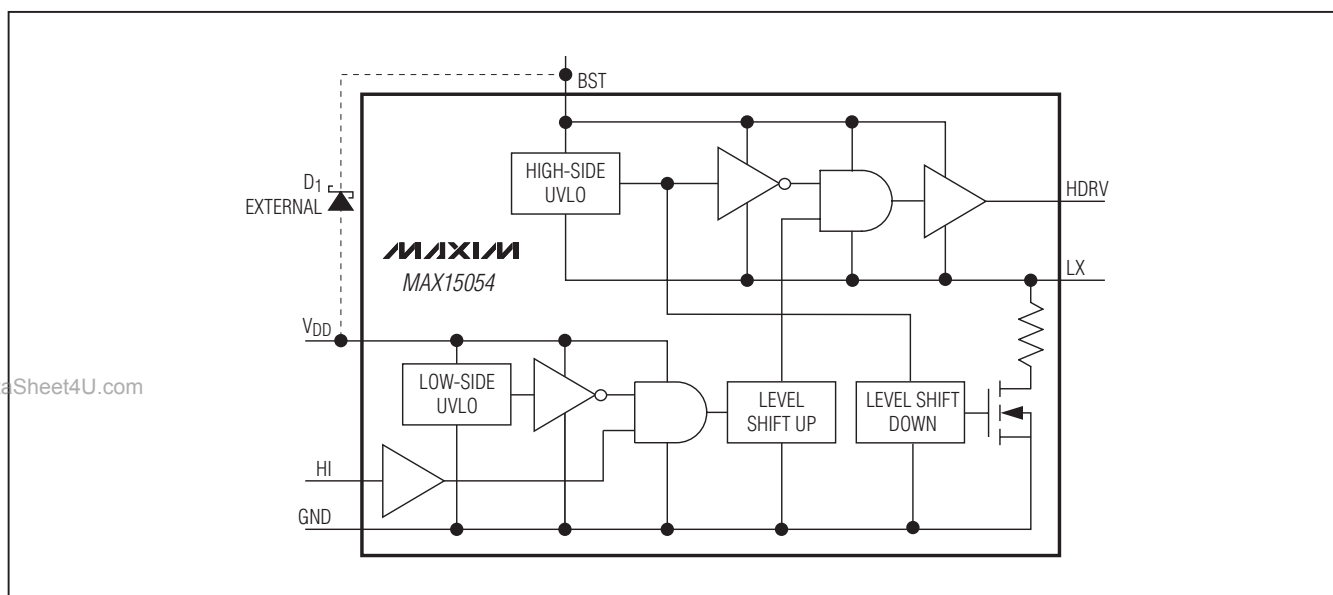


# High-Side MOSFET Driver for HB LED Drivers and DC-DC Applications

## Pin Description

PIN	NAME	FUNCTION
1	HI	5V CMOS Logic Input. HI is referenced to GND and is capable of withstanding voltages up to 13.5V for any V <sub>DD</sub> voltage.
2	GND	Ground
3	V <sub>DD</sub>	Input Supply Voltage. Valid supply voltage ranges from 4.6V to 5.5V. Bypass V <sub>DD</sub> to GND with a 0.1μF ceramic capacitor as close as possible to the device.
4	BST	Boost Flying Capacitor Connection. Connect a minimum of a 0.1μF ceramic capacitor between BST and LX for the high-side MOSFET driver supply. Connect a bootstrap Schottky diode between V <sub>DD</sub> and BST.
5	HDRVV	High-Side Gate-Driver Output. Driver output to drive the high-side external MOSFET gate.
6	LX	Source Connection for High-Side MOSFET. LX also serves as a return terminal for the high-side driver.

## Functional Diagram



## Detailed Description

The MAX15054 n-channel MOSFET driver controls an external high-side MOSFET in high-voltage, high-current applications. This driver operates with a supply voltage of 4.6V to 5.5V, and consumes only 300μA of supply current during typical switching operations ( $f_{sw} = 500\text{kHz}$ ) and no-load conditions. The MAX15054 provides 2.5A (typ) sink/source peak current and is capable of operating with large capacitive loads and with switching frequencies up to 2MHz. The device is used to drive the high-side MOSFET without requiring an isolation device such as an optocoupler or a drive transformer.

The high-side driver is controlled by a CMOS logic referenced to ground and is powered by a bootstrap circuit formed by an external diode and capacitor. Undervoltage lockout (UVLO) protection is provided for both the high- and low-side driver supplies (BST and V<sub>DD</sub>) and includes a UVLO hysteresis of 0.2V (typ).

The MAX15054's fast switching times and very short propagation delays (11ns, typ) are ideal for high-frequency applications. Internal logic circuitry prevents shoot-through during output state changes and minimizes package power dissipation.

# High-Side MOSFET Driver for HB LED Drivers and DC-DC Applications

MAX15054

## Undervoltage Lockout

The MAX15054 drives an external high-side MOSFET. Both the high- and low-side supplies feature separate UVLO protection that monitors each driver's input supply voltage (BST-LX and VDD). The low-side supply UVLO threshold (VDD\_UVLO) is referenced to GND and pulls the driver output low when VDD falls below 4V (typ) irrespective of the high-side UVLO condition.

The high-side driver UVLO threshold (VBST\_UVLO) is referenced to LX, and pulls HDRV low when VBST falls below 3.6V (typ) with respect to LX. After the MAX15054 is first energized (VDD > VDD\_UVLO), the bootstrap capacitor (CBST) between BST and LX is not charged, and HDRV does not switch since the BST-to-LX voltage is below VBST\_UVLO. An internal charging circuit charges the BST-LX supply through an external Schottky diode and within a short time CBST charges through VDD and causes VBST to exceed VBST\_UVLO. HDRV then starts switching and follows HI. The hysteresis is 0.2V (typ) for both UVLO thresholds.

## Output Driver

The MAX15054 driver contains low on-resistance p-channel and n-channel devices in a totem pole configuration for the driver output stage. This allows for rapid turn-on and turn-off of high gate-charge (Qg) external switching MOSFETs. The driver exhibits low drain-to-source resistance (RDS(ON)) that decreases for lower operating temperatures. Lower RDS(ON) means higher source and sink currents from the device as the external MOSFET gate capacitance charges and discharges at a quicker rate, resulting in faster switching speeds. The peak source and sink current provided by the driver is 2.5A (typ).

Propagation delay from the logic input (HI) to the driver output is 12ns (typ) (Figure 1). The internal driver also contains break-before-make logic to eliminate shoot-through conditions that cause unnecessarily high operating supply currents, efficiency reduction, and voltage spikes at VDD.

Voltage from HDRV to LX is approximately equal to VDD minus the diode drop of the bootstrap diode when in a high state, and zero when in a low state.

## Bootstrap Diode

Connect an external Schottky diode between VDD and BST, in conjunction with an external bootstrap capacitor (CBST), to provide the voltage required to turn on the MOSFET (see the *Typical Operating Circuits*). The diode charges the bootstrap capacitor from VDD when the high-side switch is off, and isolates VDD when HDRV is pulled high when the driver turns on.

## Bootstrap Capacitor

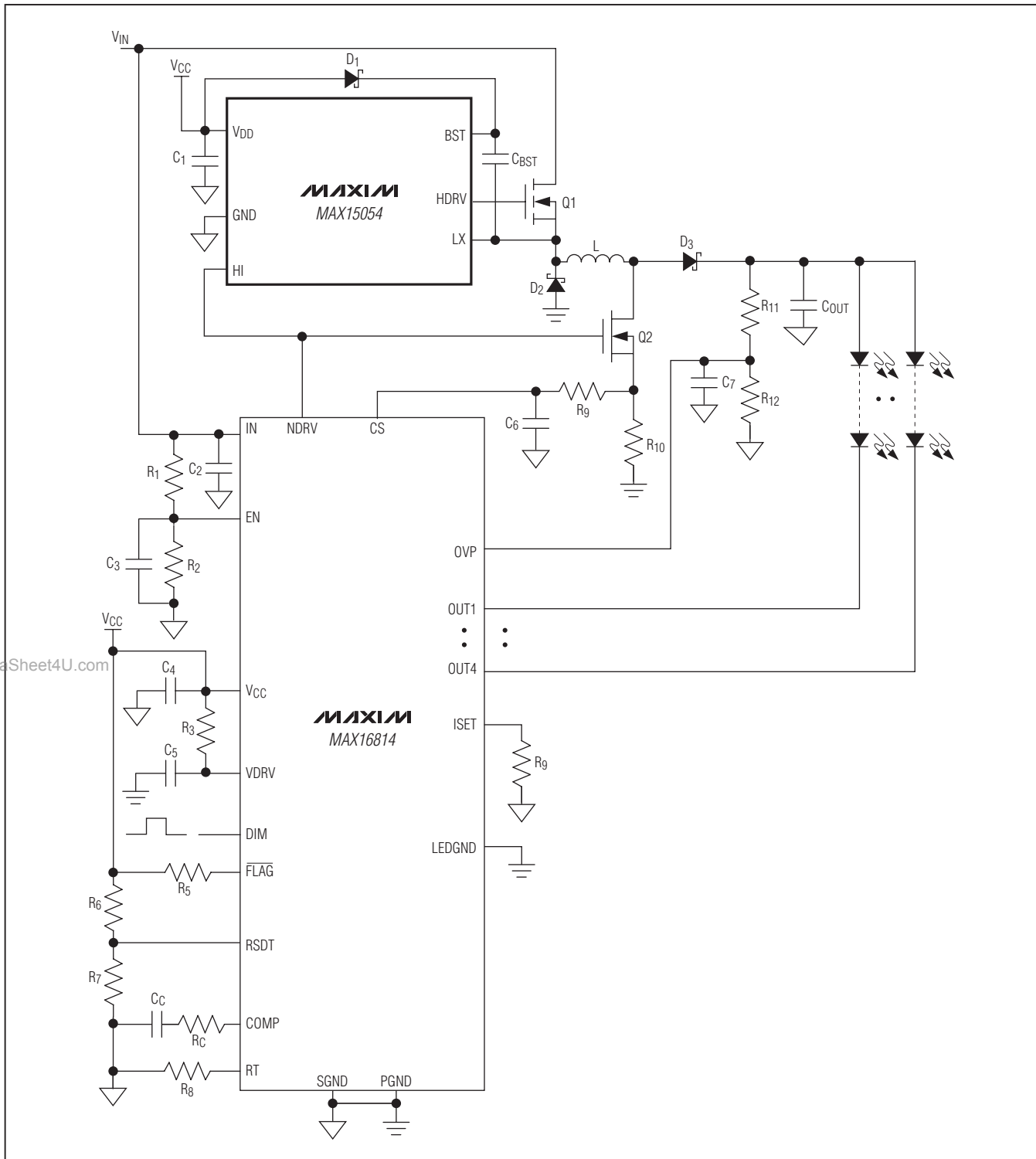
The bootstrap capacitor (CBST) between BST and LX is used to ensure adequate charge is available to switch the high-side MOSFET. This capacitor is charged from VDD by an external bootstrap diode when the MOSFET is off. The bootstrap capacitor value should be selected carefully to avoid oscillations during turn-on and turn-off at the HDRV output. Choose a capacitor value at least 20 times greater than the total gate capacitance of the MOSFET being switched. Use a low-ESR ceramic capacitor (typically a minimum 0.1μF is needed). The high-side MOSFET's continuous on-time is limited due to the charge loss from the high-side driver's quiescent current. The maximum on-time is dependent on the size of CBST, IBST (125μA, max), and VBST\_UVLO.

## Driver Logic Input (HI)

The MAX15054 features a 5V CMOS logic input. The required logic-input levels are independent of VDD and are capable of withstanding up to 13.5V. For example, the MAX15054 can be powered by a 5V supply while the logic inputs are provided from 12V logic. Additionally, HI is protected against voltage spikes up to 15V, regardless of the VDD voltage. The logic input has 900mV hysteresis to avoid double pulsing during signal transition. The logic input is a high-impedance input (300kΩ, typ) and should not be left unconnected to ensure the input logic state is at a known level. With the logic input unconnected, HDRV pulls low as VDD rises above the UVLO threshold. The PWM output from the controller must assume a proper state while powering up the device.

# High-Side MOSFET Driver for HB LED Drivers and DC-DC Applications

## Typical Operating Circuits (continued)

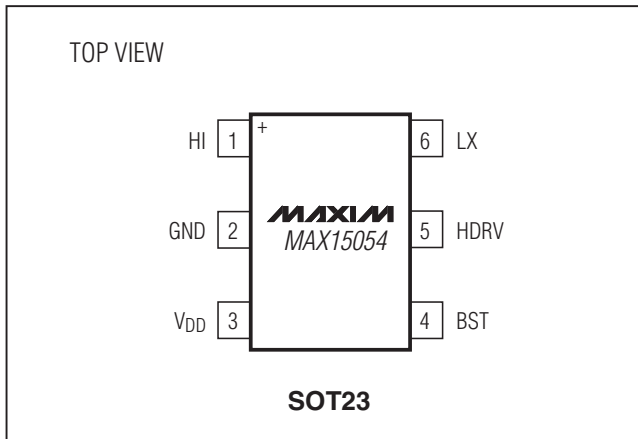


www.DataSheet4U.com



# High-Side MOSFET Driver for HB LED Drivers and DC-DC Applications

## Pin Configuration



## Chip Information

PROCESS: BiCMOS

## Package Information

For the latest package outline information and land patterns, go to [www.maxim-ic.com/packages](http://www.maxim-ic.com/packages).

PACKAGE TYPE	PACKAGE CODE	DOCUMENT NO.
6 SOT23	U6+1	<a href="#">21-0058</a>

**MAX15054**