

Ledtech FOUR DIGIT DISPLAY

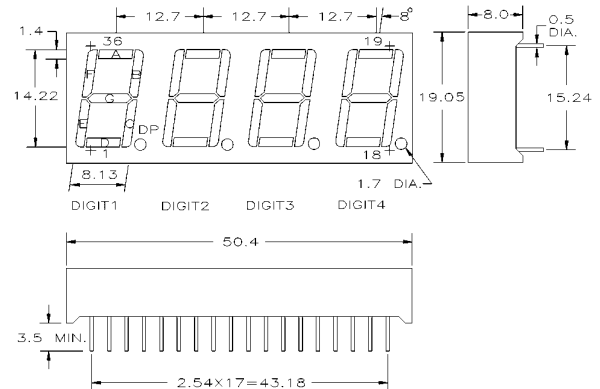
0.56" FOUR DIGIT DISPLAY Electrical/Optical Characteristics at $T_A=25^\circ\text{C}$ & $I_F=20\text{mA}$

CHIP COLOR	0.56 inch FOUR DIGIT DIRECT DRIVE		0.56 inch FOUR DIGIT MULTIPLEX DRIVE		λ_p (nm)	V_F (V)	I_V (mcd)	
	COMMON ANODE	COMMON CATHODE	COMMON ANODE	COMMON CATHODE	TYP.	TYP.	MIN.	TYP.
GREEN	LA5624-11	LC5624-11	LN5624-11	LM5624-11	572	2.1	3.9	6.5
YELLOW	LA5634-11	LC5634-11	LN5634-11	LM5634-11	589	2.1	3.1	5.2
ORANGE	LA5644-11	LC5644-11	LN5644-11	LM5644-11	630	2.1	4.5	7.4
ORANGE	LA5644R-11	LC5644R-11	LN5644R-11	LM5644R-11	630	2.1	4.5	7.4
RED	LA5674-11-M1	LC5674-11-M1	LN5674- 11-M1	LM5674- 11-M1	660	1.7	10.4	17.3
RED	LA5654-11	LC5654-11	LN5654- 11	LM5654-11	700	2.1	1.1	1.8

LA56X4-11 COMMON ANODE

FUNCTION	PIN NO.				FUNCTION	PIN NO.			
	DIGIT					DIGIT			
	1	2	3	4		1	2	3	4
CATHODE A	34	29	25	20	ANODE A	34	29	25	20
CATHODE B	33	28	24	19	ANODE B	33	28	24	19
CATHODE C	3	8	12	17	ANODE C	3	8	12	17
CATHODE D	2	6	11	15	ANODE D	2	6	11	15
CATHODE E	1	5	10	14	ANODE E	1	5	10	14
CATHODE F	36	30	27	21	ANODE F	36	30	27	21
CATHODE G	35	7	26	16	ANODE G	35	7	26	16
CATHODE DP	4	9	13	18	ANODE DP	4	9	13	18
COMMON ANODE	32	31	23	22	COMMON CATHODE	32	31	23	22

LC56X4-11 COMMON CATHODE



LN56X4-11 COMMON ANODE

PIN NO.	FUNCTION
1.	CATHODE E
2.	CATHODE D
3.	CATHODE DP
4.	CATHODE C
5.	CATHODE G
6.	COMMON ANODE (DIGIT 4)
7.	CATHODE B
8.	COMMON ANODE (DIGIT 3)
9.	COMMON ANODE (DIGIT 2)
10.	CATHODE F
11.	CATHODE A
12.	COMMON ANODE (DIGIT 1)

LM56X4-11 COMMON CATHODE

PIN NO.	FUNCTION
1.	ANODE E
2.	ANODE D
3.	ANODE DP
4.	ANODE C
5.	ANODE G
6.	COMMON CATHODE (DIGIT 4)
7.	ANODE B
8.	COMMON CATHODE (DIGIT 3)
9.	COMMON CATHODE (DIGIT 2)
10.	ANODE F
11.	ANODE A
12.	COMMON CATHODE (DIGIT 1)

