

LM26

SOT-23, $\pm 3^\circ\text{C}$ Accurate, Factory Preset Thermostat

General Description

The LM26 is a precision, single digital-output, low-power thermostat comprised of an internal reference, DAC, temperature sensor and comparator. Utilizing factory programming, it can be manufactured with different trip points as well as different digital output functionality. The trip point (T_{OS}) can be preset at the factory to any temperature in the range of -55°C to $+110^\circ\text{C}$ in 1°C increments. The LM26 has one digital output ($\overline{OS}/\overline{OS}/\overline{US}/\overline{US}$), one digital input (HYST) and one analog output (V_{TEMP}). The digital output stage can be preset as either open-drain or push-pull. In addition, it can be factory programmed to be active HIGH or LOW. The digital output can be factory programmed to indicate an over temperature shutdown event (\overline{OS} or \overline{OS}) or an under temperature shutdown event (\overline{US} or \overline{US}). When preset as an over-temperature shutdown (\overline{OS}) it will go LOW to indicate that the die temperature is over the internally preset T_{OS} and go HIGH when the temperature goes below ($T_{OS}-T_{HYST}$). Similarly, when preprogrammed as an undertemperature shutdown (US) it will go HIGH to indicate that the temperature is below T_{US} and go LOW when the temperature is above ($T_{US}+T_{HYST}$). The typical hysteresis, T_{HYST} , can be set to 2°C or 10°C and is controlled by the state of the HYST pin. A V_{TEMP} analog output provides a voltage that is proportional to temperature and has a $-10.82\text{mV}/^\circ\text{C}$ output slope.

Available parts are detailed in the ordering information. For other part options, contact a National Semiconductor Distributor or Sales Representative for information on minimum order qualification. The LM26 is currently available in a 5-lead SOT-23 package.

Applications

- Microprocessor Thermal Management
- Appliances

- Portable Battery Powered Systems
- Fan Control
- Industrial Process Control
- HVAC Systems
- Remote Temperature Sensing
- Electronic System Protection

Features

- Internal comparator with pin programmable 2°C or 10°C hysteresis
- No external components required
- Open Drain or push-pull digital output; supports CMOS logic levels
- Internal temperature sensor with V_{TEMP} output pin
- V_{TEMP} output allows after-assembly system testing
- Internal voltage reference and DAC for trip-point setting
- Currently available in 5-pin SOT-23 plastic package
- Excellent power supply noise rejection

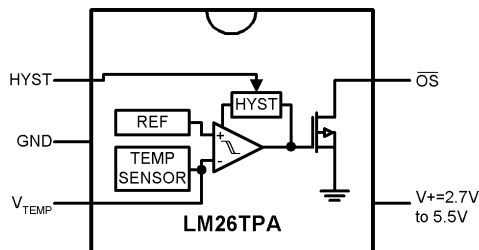
Key Specifications

- Power Supply Voltage 2.7V to 5.5V
- Power Supply Current 40 μA (max)
20 μA (typ)
- Hysteresis Temperature 2°C or 10°C (typ)

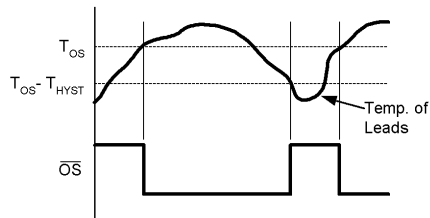
Temperature Trip Point Accuracy

Temperature Range	LM26CIM
-55°C to $+110^\circ\text{C}$	$\pm 3^\circ\text{C}$ (max)
$+120^\circ\text{C}$	$\pm 4^\circ\text{C}$ (max)

LM26CIM5-TPA Simplified Block Diagram and Connection Diagram



HYST=GND for 10°C Hysteresis
 HYST=V+ for 2°C Hysteresis
 $V_{TEMP} = (-3.479 \times 10^{-6} \times (T-30)^2) + (-1.082 \times 10^{-2} \times (T-30)) + 1.8015\text{V}$



10132301

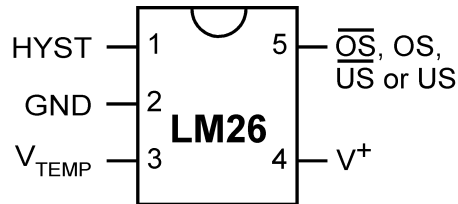
The LM26CIM5-TPA has a fixed trip point of 85°C .
For other trip point and output function availability,
please see ordering information or contact National Semiconductor.

Ordering Information

For more detailed information on the suffix meaning see the part number template at the end of the Electrical Characteristics Section. Contact National Semiconductor for other set points and output options.

Order Number		Top Mark	NS Package Number	Trip Point Setting	Output Function
	3000 Units in Tape & Reel				
LM26CIM5-KLA	LM26CIM5X-KLA	TKLA	MA05B	23°C	Open Drain \overline{OS}
LM26CIM5-NPA	LM26CIM5X-NPA	TNPA	MA05B	45°C	Open Drain \overline{OS}
LM26CIM5-RPA	LM26CIM5X-RPA	TRPA	MA05B	65°C	Open Drain \overline{OS}
LM26CIM5-SPA	LM26CIM5X-SPA	TSPA	MA05B	75°C	Open Drain \overline{OS}
LM26CIM5-TPA	LM26CIM5X-TPA	TTPA	MA05B	85°C	Open Drain \overline{OS}
LM26CIM5-VHA	LM26CIM5X-VHA	TVHA	MA05B	90°C	Open Drain \overline{OS}
LM26CIM5-VPA	LM26CIM5X-VPA	TVPA	MA05B	95°C	Open Drain \overline{OS}
LM26CIM5-XHA	LM26CIM5X-XHA	TXHA	MA05B	100°C	Open Drain \overline{OS}
LM26CIM5-XPA	LM26CIM5X-XPA	TXPA	MA05B	105°C	Open Drain \overline{OS}
LM26CIM5-YHA	LM26CIM5X-YHA	TYHA	MA05B	110°C	Open Drain \overline{OS}
LM26CIM5-YPA	LM26CIM5X-YPA	TYP A	MA05B	115°C	Open Drain \overline{OS}
LM26CIM5-ZHA	LM26CIM5X-ZHA	TZHA	MA05B	120°C	Open Drain \overline{OS}

Connection Diagram



10132302

Pin Description

Pin Number	Pin Name	Function	Connection
1	HYST	Hysteresis control, digital input	GND for 10°C or V^+ for 2°C
2	GND	Ground, connected to the back side of the die through lead frame.	System GND
3	V_{TEMP}	Analog output voltage proportional to temperature	Leave floating or connect to a high impedance node.
4	V^+	Supply input	2.7V to 5.5V with a 0.1 μ F bypass capacitor. For PSRR information see <i>Section Titled NOISE CONSIDERATIONS</i> .
5	\overline{OS}	Overtemperature Shutdown open-drain active low thermostat digital output	Controller interrupt, system or power supply shutdown; pull-up resistor $\geq 10k\Omega$
	OS	Overtemperature Shutdown totem-pull active high thermostat digital output	Controller interrupt, system or power supply shutdown
	\overline{US}	Undertemperature Shutdown open-drain active low thermostat digital output	System or power supply shutdown; pull-up resistor $\geq 10k\Omega$
	US	Undertemperature Shutdown totem-pull active high thermostat digital output	System or power supply shutdown

Note: pin 5 functionality and trip point setting are programmed during LM26 manufacture.

Absolute Maximum Ratings (Note 1)

Input Voltage	6.0V
Input Current at any pin (Note 2)	5mA
Package Input Current (Note 2)	20mA
Package Dissipation at $T_A = 25^\circ\text{C}$ (Note 3)	500mW
Soldering Information	
SOT23 Package	
Vapor Phase (60 seconds)	215°C
Infrared (15 seconds)	220°C
Storage Temperature	-65°C to +150°C

ESD Susceptibility (Note 4)

Human Body Model	2500V
Machine Model	250V

Operating Ratings (Note 1)

Specified Temperature Range	$T_{\text{MIN}} \leq T_A \leq T_{\text{MAX}}$
LM26CIM	$-55^\circ\text{C} \leq T_A \leq +125^\circ\text{C}$
Positive Supply Voltage (V^+)	+2.7V to +5.5V
Maximum V_{OUT}	+5.5V

LM26 Electrical Characteristics

The following specifications apply for $V^+ = 2.7V_{\text{DC}}$ to $5.5V_{\text{DC}}$, and V_{TEMP} load current = $0\mu\text{A}$ unless otherwise specified. **Bold-face limits apply for $T_A = T_J = T_{\text{MIN}}$ to T_{MAX}** ; all other limits $T_A = T_J = 25^\circ\text{C}$ unless otherwise specified.

Symbol	Parameter	Conditions	Typical (Note 6)	LM26CIM Limits (Note 7)	Units (Limits)
Temperature Sensor					
	Trip Point Accuracy (Includes V_{REF} , DAC, Comparator Offset, and Temperature Sensitivity errors)	$-55^\circ\text{C} \leq T_A \leq +110^\circ\text{C}$		± 3	$^\circ\text{C}$ (max)
		+120°C		± 4	$^\circ\text{C}$ (max)
	Trip Point Hysteresis	HYST = GND	11		$^\circ\text{C}$
		HYST = V^+	2		$^\circ\text{C}$
	V_{TEMP} Output Temperature Sensitivity		-10.82		mV/ $^\circ\text{C}$
	V_{TEMP} Temperature Sensitivity Error to Equation: $V_O = (-3.479 \times 10^{-6} \times (T-30)^2) + (-1.082 \times 10^{-2} \times (T-30)) + 1.8015\text{V}$	$-30^\circ\text{C} \leq T_A \leq 120^\circ\text{C}$, $2.7\text{V} \leq V^+ \leq 5.5\text{V}$		± 3	$^\circ\text{C}$ (max)
		$-55^\circ\text{C} \leq T_A \leq 120^\circ\text{C}$, $4.5\text{V} \leq V^+ \leq 5.5\text{V}$		± 3	$^\circ\text{C}$ (max)
		$T_A = 30^\circ\text{C}$		± 2.5	$^\circ\text{C}$ (max)
	V_{TEMP} Load Regulation	$-1\mu\text{A} \leq I_L \leq 0$	0.070		mV
		$0 \leq I_L \leq +40\mu\text{A}$		0.7	mV (max)
	V_{TEMP} Line Regulation	$+2.7\text{V} \leq V^+ \leq +5.5\text{V}$, $-30^\circ\text{C} \leq T_A \leq +120^\circ\text{C}$	-0.2		mV/V
I_S	Supply Current		16	20	μA (max)
				40	μA (max)
Digital Output and Input					
$I_{\text{OUT}}(^{\text{“1”}})$	Logical “1” Output Leakage Current (Note 9)	$V^+ = +5.0\text{V}$	0.001	1	μA (max)
$V_{\text{OUT}}(^{\text{“0”}})$	Logical “0” Output Voltage	$I_{\text{OUT}} = +1.2\text{mA}$ and $V^+ \geq 2.7\text{V}$; $I_{\text{OUT}} = +3.2\text{mA}$ and $V^+ \geq 4.5\text{V}$; (Note 8)		0.4	V (max)
$V_{\text{OUT}}(^{\text{“1”}})$	Logical “1” Push-Pull Output Voltage	$I_{\text{SOURCE}} = 500\mu\text{A}$, $V^+ \geq 2.7\text{V}$		$0.8 \times V^+$	V (min)
		$I_{\text{SOURCE}} = 800\mu\text{A}$, $V^+ \geq 4.5\text{V}$		$V^+ - 1.5$	V (min)
V_{IH}	HYST Input Logical “1” Threshold Voltage			$0.8 \times V^+$	V (min)
V_{IL}	HYST Input Logical “0” Threshold Voltage			$0.2 \times V^+$	V (max)

Note 1: Absolute Maximum Ratings indicate limits beyond which damage to the device may occur. Operating Ratings indicate conditions for which the device is functional, but do not guarantee specific performance limits. For guaranteed specifications and test conditions, see the Electrical Characteristics. The guaranteed specifications apply only for the test conditions listed. Some performance characteristics may degrade when the device is not operated under the listed test conditions.

Note 2: When the input voltage (V_I) at any pin exceeds the power supply ($V_I < \text{GND}$ or $V_I > V^+$), the current at that pin should be limited to 5mA. The 20mA maximum package input current rating limits the number of pins that can safely exceed the power supplies with an input current of 5mA to four. Under normal operating conditions the maximum current that pins 2, 4 or 5 can handle is limited to 5mA each.

Note 3: The maximum power dissipation must be derated at elevated temperatures and is dictated by T_{Jmax} (maximum junction temperature), θ_{JA} (junction to ambient thermal resistance) and T_A (ambient temperature). The maximum allowable power dissipation at any temperature is $P_D = (T_{Jmax} - T_A) / \theta_{JA}$ or the number given in the Absolute Maximum Ratings, whichever is lower. For this device, $T_{Jmax} = 150^\circ\text{C}$. For this device the typical thermal resistance (θ_{JA}) of the different package types when board mounted follow:

Package Type	θ_{JA}
SOT23-5, MA05B	250°C/W

Note 4: The human body model is a 100pF capacitor discharge through a 1.5k Ω resistor into each pin. The machine model is a 200pF capacitor discharged directly into each pin.

Note 5: See the URL "http://www.national.com/packaging/" for other recommendations and methods of soldering surface mount devices.

Note 6: Typical values are at $T_J = T_A = 25^\circ\text{C}$ and represent most likely parametric norm.

Note 7: Limits are guaranteed to National's AOQL (Average Outgoing Quality Level).

Note 8: Care should be taken to include the effects of self heating when setting the maximum output load current. The power dissipation of the LM26 would increase by 1.28mW when $I_{OUT} = 3.2\text{mA}$ and $V_{OUT} = 0.4\text{V}$. With a thermal resistance of 250°C/W, this power dissipation would cause an increase in the die temperature of about 0.32°C due to self heating. Self heating is not included in the trip point accuracy specification.

Note 9: The 1 μA limit is based on a testing limitation and does not reflect the actual performance of the part. Expect to see a doubling of the current for every 15°C increase in temperature. For example, the 1nA typical current at 25°C would increase to 16nA at 85°C.

Part Number Template

The series of digits labeled xyz in the part number LM26CIM-xyz, describe the set point value and the function of the output as follows:

The place holders xy describe the set point temperature as shown in the following table.

x (10x)	y (1x)	Temperature (°C)
A	-	-5
B	-	-4
C	-	-3
D	-	-2
E	-	-1
F	-	-0
H	H	0
J	J	1
K	K	2
L	L	3

x (10x)	y (1x)	Temperature (°C)
N	N	4
P	P	5
R	R	6
S	S	7
T	T	8
V	V	9
X	-	10
Y	-	11
Z	-	12

The value of z describes the assignment/function of the output as shown in the following table:

Active-Low/High	Open-Drain/ Push-Pull	OS/US	Value of z	Digital Output Function
0	0	0	A	Active-Low, Open-Drain, OS output
0	0	1	B	Active-Low, Open-Drain, US output
1	1	0	C	Active-High, Push-Pull, OS output
1	1	1	D	Active-High, Push-Pull, US output

For example:

- the part number LM26CIM5-TPA has $T_{OS} = 85^\circ\text{C}$, and programmed as an active-low open-drain overtemperature shutdown output.
- the part number LM26CIM5-FPD has $T_{US} = -5^\circ\text{C}$, and programmed as an active-high, push-pull undertemperature shutdown output.

Active-high open-drain and active-low push-pull options are available, please contact National Semiconductor for more information.

Functional Description

LM26 OPTIONS

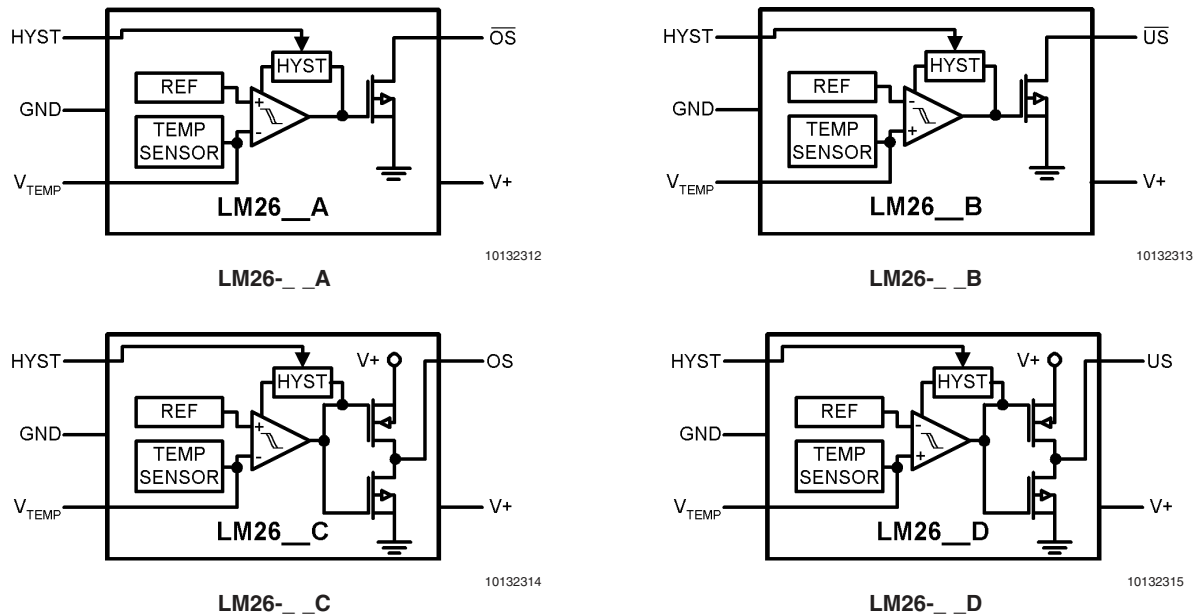


FIGURE 1. Output Pin Options Block Diagrams

The LM26 can be factory programmed to have a trip point anywhere in the range of -55°C to $+110^{\circ}\text{C}$.

Applications Hints

AFTER-ASSEMBLY PCB TESTING

The LM26's V_{TEMP} output allows after-assembly PCB testing by following a simple test procedure. Simply measuring the V_{TEMP} output voltage will verify that the LM26 has been assembled properly and that its temperature sensing circuitry is functional. The V_{TEMP} output has very weak drive capability that can be overdriven by 1.5mA. Therefore, one can simply force the V_{TEMP} voltage to cause the digital output to change state, thereby verifying that the comparator and output circuitry function after assembly. Here is a sample test procedure that can be used to test the LM26CIM5-TPA which has an 85°C trip point.

1. Turn on V^{+} and measure V_{TEMP} . Then calculate the temperature reading of the LM26 using the equation:

$$V_{\text{O}} = (-3.479 \times 10^{-6} \times (T-30)^2) + (-1.082 \times 10^{-2} \times (T-30)) + 1.8015\text{V} \quad (1)$$

or

$$T = -1525.04 + \sqrt{2.4182 \times 10^6 + \frac{1.8015 - V_{\text{TEMP}}}{3.479 \times 10^{-6}}} \quad (2)$$

2. Verify that the temperature measured in step one is within ($\pm 3^{\circ}\text{C}$ + error of reference temperature sensor) of the ambient/board temperature. The ambient/board temperature (reference temperature) should be measured using an extremely accurate calibrated temperature sensor.

3.
 - A. Observe that $\overline{\text{OS}}$ is high.
 - B. Drive V_{TEMP} to ground.
 - C. Observe that $\overline{\text{OS}}$ is now low.
 - D. Release the V_{TEMP} pin.
 - E. Observe that $\overline{\text{OS}}$ is now high.
4.
 - A. Observe that $\overline{\text{OS}}$ is high.
 - B. Drive V_{TEMP} voltage down gradually.
 - C. When $\overline{\text{OS}}$ goes low, note the V_{TEMP} voltage.
 - D. $V_{\text{TEMP}}\text{Trig} = V_{\text{TEMP}}$ at $\overline{\text{OS}}$ trigger (HIGH->LOW)
 - E. Calculate T_{trig} using Equation (2).
5.
 - A. Gradually raise V_{TEMP} until $\overline{\text{OS}}$ goes HIGH. Note V_{TEMP} .
 - B. Calculate T_{HYST} using Equation (2).

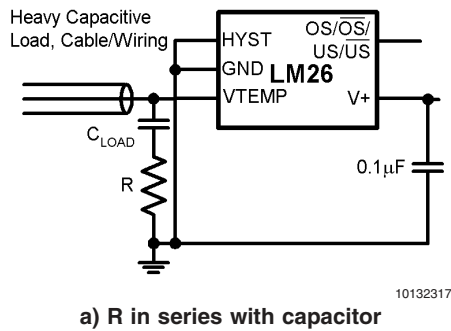
V_{TEMP} LOADING

The V_{TEMP} output has very weak drive capability ($40\mu\text{A}$ source, $1\mu\text{A}$ sink). So care should be taken when attaching circuitry to this pin. Capacitive loading may cause the V_{TEMP} output to oscillate. Simply adding a resistor in series as shown in Figure 2 will prevent oscillations from occurring. To determine the value of the resistor follow the guidelines given in Table 1. The same value resistor will work for either placement of the resistor. If an additional capacitive load is placed directly on the LM26 output, rather than across C_{LOAD} , it should be at least a factor of 10 smaller than C_{LOAD} .

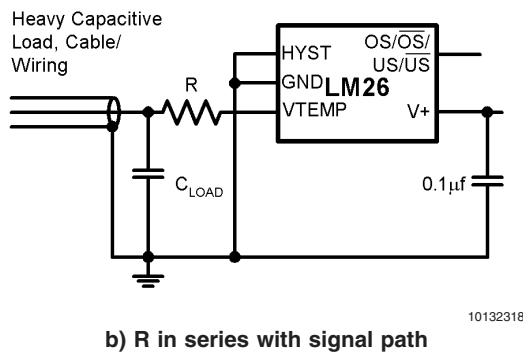
Applications Hints (Continued)

TABLE 1. Resistive compensation for capacitive loading of V_{TEMP}

C_{LOAD}	R (Ω)
$\leq 100\text{pF}$	0
1nF	8200
10nF	3000
100nF	1000
$\geq 1\mu\text{F}$	430



a) R in series with capacitor



b) R in series with signal path

FIGURE 2. Resistor placement for capacitive loading compensation of V_{TEMP}

NOISE CONSIDERATIONS

The LM26 has excellent power supply noise rejection. Listed below is a variety of signals used to test the LM26 power supply rejection. False triggering of the output was not observed when these signals were coupled into the $V+$ pin of the LM26.

- square wave 400kHz, 1Vp-p
- square wave 2kHz, 200mVp-p
- sine wave 100Hz to 1MHz, 200mVp-p

Testing was done while maintaining the temperature of the LM26 one degree centigrade away from the trip point with the output not activated.

MOUNTING CONSIDERATIONS

The LM26 can be applied easily in the same way as other integrated-circuit temperature sensors. It can be glued or cemented to a surface. The temperature that the LM26 is sensing will be within about $+0.06^\circ\text{C}$ of the surface temperature to which the LM26's leads are attached to.

This presumes that the ambient air temperature is almost the same as the surface temperature; if the air temperature were much higher or lower than the surface temperature, the actual temperature measured would be at an intermediate temperature between the surface temperature and the air temperature.

To ensure good thermal conductivity, the backside of the LM26 die is directly attached to the GND pin (pin 2). The temperatures of the lands and traces to the other leads of the LM26 will also affect the temperature that is being sensed.

Alternatively, the LM26 can be mounted inside a sealed-end metal tube, and can then be dipped into a bath or screwed into a threaded hole in a tank. As with any IC, the LM26 and accompanying wiring and circuits must be kept insulated and dry, to avoid leakage and corrosion. This is especially true if the circuit may operate at cold temperatures where condensation can occur. Printed-circuit coatings and varnishes such as Humiseal and epoxy paints or dips are often used to ensure that moisture cannot corrode the LM26 or its connections.

The junction to ambient thermal resistance (θ_{JA}) is the parameter used to calculate the rise of a part's junction temperature due to its power dissipation. For the LM26 the equation used to calculate the rise in the die junction temperature is as follows:

$$T_J = T_A + \theta_{JA}(V^*I_Q + (V^* - V_{TEMP})I_{L_TEMP} + V_{DO}I_{DO}) \quad (3)$$

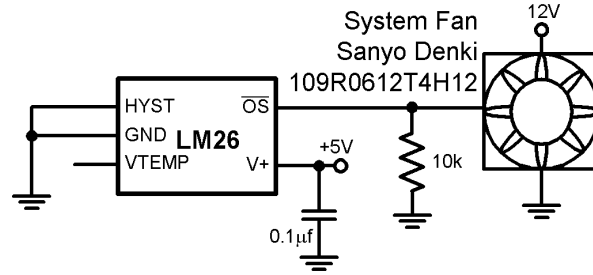
where T_A is the ambient temperature, V^* is the power supply voltage, I_Q is the quiescent current, I_{L_TEMP} is the load current on the V_{TEMP} output, V_{DO} is the voltage on the digital output, and I_{DO} is the load current on the digital output. Since the LM26's junction temperature is the actual temperature being measured, care should be taken to minimize the load current that the LM26 is required to drive.

The tables shown in Figure 3 summarize the thermal resistance for different conditions and the rise in die temperature of the LM26 without any loading on V_{TEMP} and a 10k pull-up resistor on an open-drain digital output with a 5.5V power supply.

	SOT23-5 no heat sink		SOT23-5 small heat sink	
	θ_{JA} ($^\circ\text{C/W}$)	$T_J - T_A$ ($^\circ\text{C}$)	θ_{JA} ($^\circ\text{C/W}$)	$T_J - T_A$ ($^\circ\text{C}$)
Still Air	250	0.11	TBD	TBD
Moving Air	TBD	TBD	TBD	TBD

FIGURE 3. Thermal resistance (θ_{JA}) and temperature rise due to self heating ($T_J - T_A$)

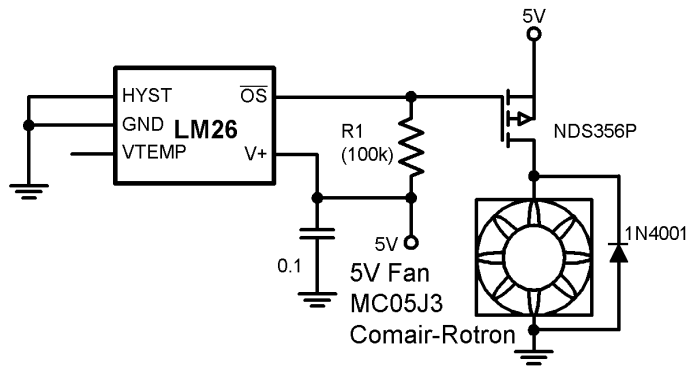
Typical Applications



10132303

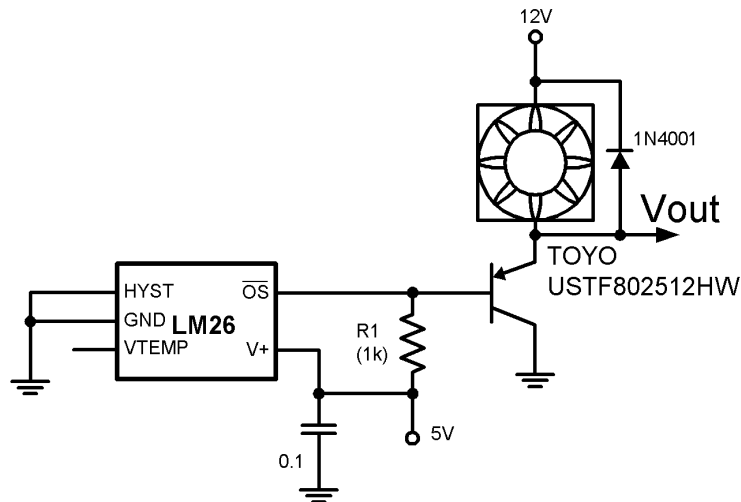
Note: The fan's control pin has internal pull-up. The 10k pull-down sets a slow fan speed. When the output of the LM26 goes low, the fan will speed up.

FIGURE 4. Two Speed Fan Speed Control



10132320

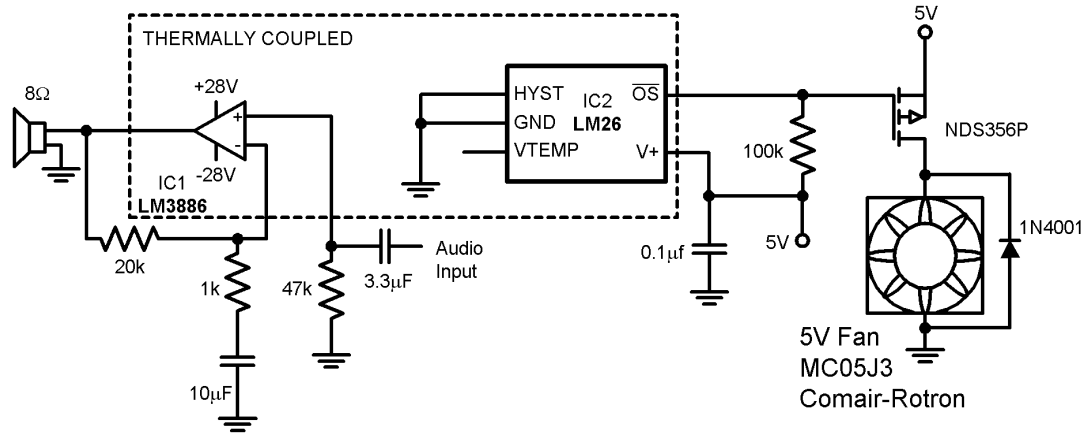
FIGURE 5. Fan High Side Drive



10132321

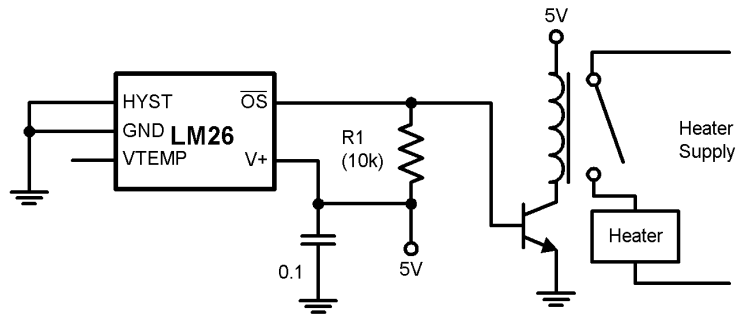
FIGURE 6. Fan Low Side Drive

Typical Applications (Continued)



10132322

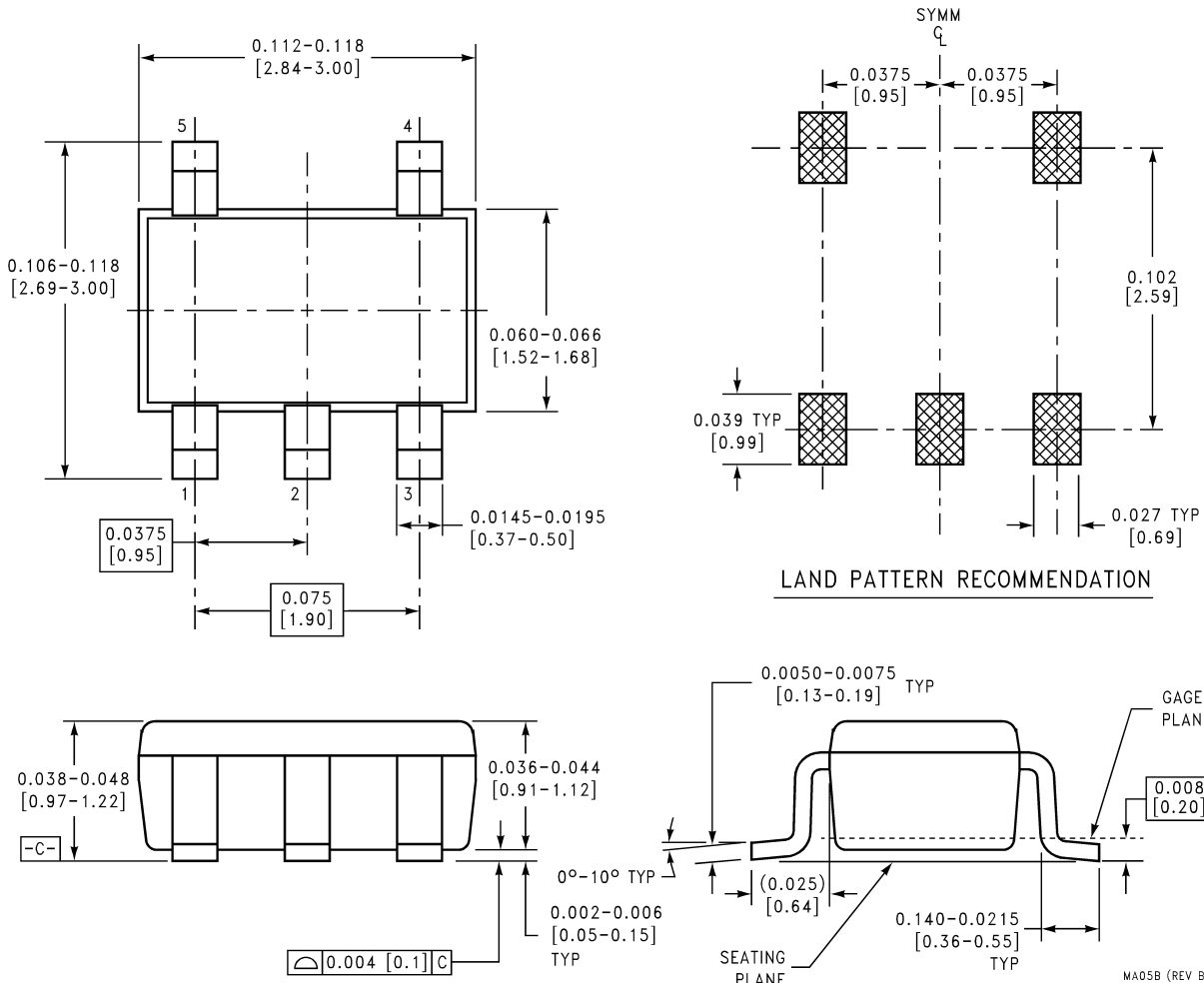
FIGURE 7. Audio Power Amplifier Thermal Protection



10132323

FIGURE 8. Simple Thermostat

Physical Dimensions inches (millimeters) unless otherwise noted



5-Lead Molded SOT-23 Plastic Package, JEDEC
Order Number LM26CIM5 or LM26CIM5X
NS Package Number MA05B

LIFE SUPPORT POLICY

NATIONAL'S PRODUCTS ARE NOT AUTHORIZED FOR USE AS CRITICAL COMPONENTS IN LIFE SUPPORT DEVICES OR SYSTEMS WITHOUT THE EXPRESS WRITTEN APPROVAL OF THE PRESIDENT AND GENERAL COUNSEL OF NATIONAL SEMICONDUCTOR CORPORATION. As used herein:

1. Life support devices or systems are devices or systems which, (a) are intended for surgical implant into the body, or (b) support or sustain life, and whose failure to perform when properly used in accordance with instructions for use provided in the labeling, can be reasonably expected to result in a significant injury to the user.
2. A critical component is any component of a life support device or system whose failure to perform can be reasonably expected to cause the failure of the life support device or system, or to affect its safety or effectiveness.

National Semiconductor
Americas Customer Support Center
 Email: new.feedback@nsc.com
 Tel: 1-800-272-9959

National Semiconductor
Europe Customer Support Center
 Fax: +49 (0) 180-530 85 86
 Email: europe.support@nsc.com
 Deutsch Tel: +49 (0) 69 9508 6208
 English Tel: +44 (0) 870 24 0 2171
 Français Tel: +33 (0) 1 41 91 8790

National Semiconductor
Asia Pacific Customer Support Center
 Email: ap.support@nsc.com

National Semiconductor
Japan Customer Support Center
 Fax: 81-3-5639-7507
 Email: jpn.feedback@nsc.com
 Tel: 81-3-5639-7560

www.national.com