



Frontier Electronics Corp.

667 E. COCHRAN STREET, SIMI VALLEY, CA 93065

TEL: (805) 522-9998 FAX: (805) 522-9989

E-mail: frontiersales@frontierusa.com

Web: frontierusa.com

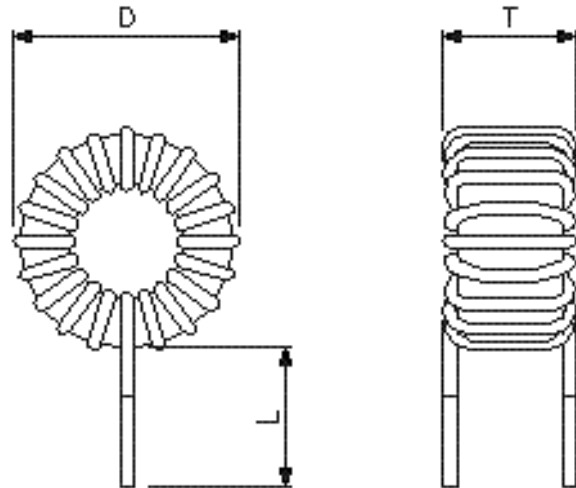
Line Filters—3010131 series

A. Specifications:

Part Number	Inductance (uH)	DCR (OHMS) Max.	Rated Current (A) RMS.
3010131-01	10	0.02	5
3010131-02	15	0.03	3
3010131-03	18	0.05	1
3010131-04	40	0.09	1

B. Mechanical Dimensions:

P/N	Wire Size (mm)	Dimensions (mm)		
		D	T	L
3010131-01	1.0	16.0	10	12.7
3010131-02	0.8	15.0	10	9.7
3010131-03	0.5	15.5	8.5	12.7
3010131-04	0.5	15.5	8.5	12.7



C. General information:

1. Test Condition: 1.0KHz / 1V.
2. Electrical specifications at 25°C.
3. Temperature Rise: 40°C.
4. Operating temperature: -20°C TO +105°C.
5. Insulation Resistance: 100M OHMS at 500VDC.
6. Rated Voltage: 100V to 270V / 50-60 Hz.
7. Hi-Pot Voltage: 1500VAC for one minute.

★ Custom specifications are available.

Note: **RoHS** compliant; for the **ROHS** parts, we add “-LFR” at the end of the P/N.