

# FAN5056MV85

## High Performance Programmable Synchronous DC-DC Controller for Multi-Voltage Platforms

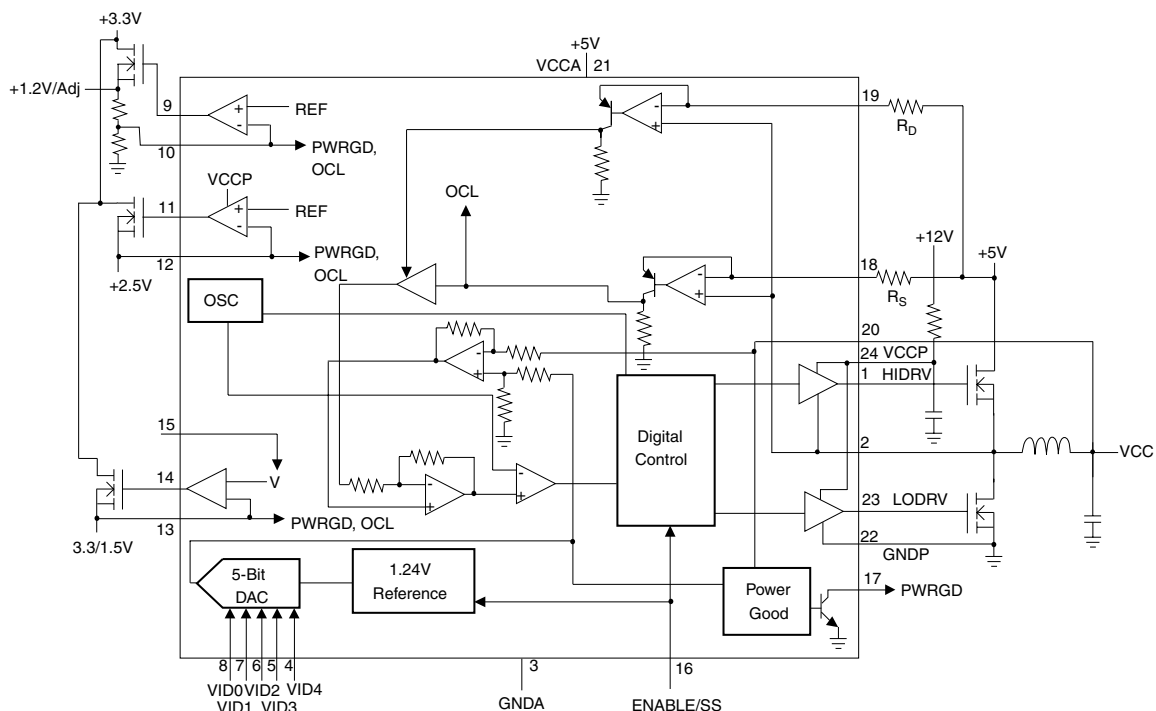
### Features

- Output programmable in 25mV steps from 1.05V to 1.825V using a dynamically programmable integrated 5-bit DAC
- Controls adjustable linear regulators for Vclock (2.5V), Vnorthbridge (1.8V) or Vagp (selectable 1.5V/3.3V), and Vadj (1.2V nominal)
- Remote sense
- Programmable Active Droop™ up to 200mV
- Drives N-Channel MOSFETs
- Overcurrent protection using MOSFET sensing
- Overvoltage protection including startup
- 85% efficiency typical at full load
- Integrated Power Good and Enable/Soft Start functions
- Meets Intel VRM8.5 specifications using minimum number of external components
- 24 pin SOIC package

### Applications

- Power supply for Pentium® III Platforms
- VRM for Pentium III processor
- Programmable multi-output power supply

### Block Diagram

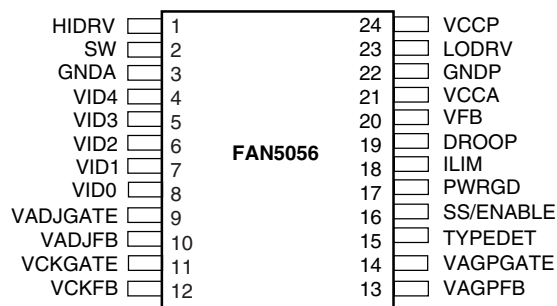


### Description

The FAN5056 is a synchronous mode DC-DC controller IC which provides a highly accurate, programmable set of output voltages for multi-voltage platforms such as the Intel Pentium III, and provides a complete solution for all Intel VRM8.5 CPU applications, and for other high-performance processors. The FAN5056 features remote voltage sensing, independently adjustable current limit, and a proprietary wide-range Programmable Active Droop™ for optimal converter transient response and VRM8.5 compliance. The FAN5056 uses a 5-bit D/A converter to dynamically program the output voltage during operation from 1.05V to 1.825V in 25mV steps. The FAN5056 uses a high level of integration to deliver load currents in excess of 28A from a 5V source with minimal external circuitry. Synchronous-mode operation offers optimum efficiency over the entire specified output voltage range. An on-board precision low TC reference achieves 0.8% voltage regulation without expensive external components. The FAN5056 includes linear regulator controllers for Vclock (2.5V), Vnorthbridge (1.8V) or Vagp (selectable 1.5V/3.3V), and Vadjustable (1.2V nominal) each adjustable with an external divider. The FAN5056 also offers integrated functions

including open-collector Power Good, Output Enable/Soft Start and current limiting, and is available in a 24 pin SOIC package.

## Pin Assignments



## Pin Definitions

Pin Number	Pin Name	Pin Function Description
1	HIDRV	<b>High Side FET Driver.</b> Connect this pin to the gate of an N-channel MOSFET. The trace from this pin to the MOSFET gate should be <0.5".
2	SW	<b>High Side Driver Source and Low Side Driver Drain Switching Node.</b> Together with DROOP and ILIM pins allows FET sensing for $V_{CC}$ current.
3	GND A	<b>Analog Ground.</b> Return path for low power analog circuitry. This pin should be connected to a low impedance system ground plane to minimize ground loops.
4-8	VID4-0	<b>Voltage Identification Code Inputs.</b> These open collector/TTL compatible inputs will program the output voltage over the ranges specified in Table 1.
9	VADJGATE	<b>Gate Driver for VADJ Transistor.</b> For Adjustable output.
10	VADJFB	<b>Voltage Feedback for VADJ.</b>
11	VCKGATE	<b>Gate Driver for VCK Transistor.</b> For 2.5V output.
12	VCKFB	<b>Voltage Feedback for VCK.</b>
13	VAGPFB	<b>Voltage Feedback for VAGP.</b>
14	VAGPGATE	<b>Gate Driver for VAGP Transistor.</b> For 3.3/1.5V output.
15	TYPEDET	<b>Type Detect.</b> Sets 3.3V or 1.5V for AGP.
16	ENABLE/SS	<b>Output Enable.</b> A logic LOW on this pin will disable all outputs. An internal current source allows for open collector control. This pin also doubles as soft start for all outputs.
17	PWRGD	<b>Power Good Flag.</b> An open collector output that will be logic LOW if any output voltage is not within $\pm 14\%$ of the nominal output voltage setpoint.
18	ILIM	<b><math>V_{CC}</math> Current Feedback.</b> Pin 18 is used in conjunction with pin 2 as the input for the $V_{CC}$ current feedback control loop. Layout of these traces is critical to system performance. See Application Information for details.
19	DROOP	<b>Drop Set.</b> Use this pin to set magnitude of active droop.
20	VFB	<b><math>V_{CC}</math> Voltage Feedback.</b> Pin 20 is used as the input for the $V_{CC}$ voltage feedback control loop. See Application Information for details regarding correct layout.
21	VCCA	<b>Analog <math>V_{CC}</math>.</b> Connect to system 5V supply and decouple with a 0.1 $\mu$ F ceramic capacitor.
22	GNDP	<b>Power Ground.</b> Return pin for high currents flowing in pin 24 ( $V_{CCP}$ ).
23	LODRV	<b><math>V_{CC}</math> Low Side FET Driver.</b> Connect this pin to the gate of an N-channel MOSFET for synchronous operation. The trace from this pin to the MOSFET gate should be <0.5".
24	VCCP	<b>Power <math>V_{CC}</math>.</b> For all FET drivers. Connect to system 12V supply through a 33 $\Omega$ , and decouple with a 1 $\mu$ F ceramic capacitor.

## Absolute Maximum Ratings

Supply Voltage $V_{CCP}$ to GND	15V
Supply Voltage $V_{CCA}$ to GND	13.5V
Voltage Identification Code Inputs, VID0-VID4	VCCA
All Other Pins	13.5V
Junction Temperature, $T_J$	150°C
Storage Temperature	-65 to 150°C
Lead Soldering Temperature, 10 seconds	300°C
Thermal Resistance Junction-to-case, $\Theta_{JA}^1$	75°C/W

**Note 1:** Component mounted on demo board in free air.

## Recommended Operating Conditions

Parameter	Conditions	Min.	Typ.	Max.	Units
Supply Voltage $V_{CCA}$		4.50	5	5.25	V
Input Logic HIGH		2.0			V
Input Logic LOW				0.8	V
Ambient Operating Temperature		0		70	°C
Output Driver Supply, $V_{CCP}$		10.8	12	13.2	V

## Electrical Specifications

( $V_{CCA} = 5V$ ,  $V_{CCP} = 12V$ ,  $V_{OUT} = 1.425V$ , and  $T_A = +25^\circ C$  using circuits in Figure 1, unless otherwise noted.)

The • denotes specifications which apply over the full operating temperature range.

Parameter	Conditions	Min.	Typ.	Max.	Units	
<b>V<sub>CC</sub> Regulator</b>						
Output Voltage	See Table I FAN5056MV85	• 1.05		1.825	V	
Output Current			28		A	
Initial Voltage Setpoint	$I_{LOAD} = 0.8A$ , $V_{VID} = 1.425V$	1.453	1.465	1.477	V	
Output Temperature Drift	$T_A = 0$ to $70^\circ C$ , $V_{VID} = 1.425V$	•	-6		mV	
Line Regulation	$V_{IN} = 4.75V$ to $5.25V$	•	+10		mV/V	
Internal Droop Impedance <sup>3</sup>	$I_{LOAD} = 0.8A$ to $30A$		13.0	14.4	15.8	K $\Omega$
Maximum Programmable Droop		•	200		mV	
Output Ripple	20MHz BW, $I_{LOAD} = 28A$		20		mVpk	
Total Output Variation, Steady State <sup>1</sup>	$V_{VID} = 1.425V^3$	• 1.360		1.490	V	
Total Output Variation, Transient <sup>2</sup>	$I_{LOAD} = 0.8A$ to $I_{max}$ , $V_{VID} = 1.425V$	• 1.335		1.515	V	
Short Circuit Detect Current		• 45	50	60	$\mu A$	
Efficiency	$I_{LOAD} = 18A$ , $V_{VID} = 1.425V$		83		%	
Output Driver Rise & Fall Time	See Figure 3		50		nsec	
Output Driver Deadtime	See Figure 3		50		nsec	
Duty Cycle			0	100	%	
5V UVLO		• 3.76	4	4.24	V	
12V UVLO		• 7.65	8.5	9.35	V	
Soft Start Current			5	17	$\mu A$	

**Electrical Specifications** (Continued)

( $V_{CCA} = 5V$ ,  $V_{CCP} = 12V$ ,  $V_{OUT} = 1.425V$ , and  $T_A = +25^\circ C$  using circuits in Figure 1, unless otherwise noted.)

The • denotes specifications which apply over the full operating temperature range.

Parameter	Conditions	Min.	Typ.	Max.	Units
<b>Adjustable Linear Regulator</b>					
Output Voltage	$I_{LOAD} \leq 2A$	• 1.188	1.212	1.236	V
Over Current Trip Level			80		% $V_O$
<b>VCLK Linear Regulator</b>					
Output Voltage	$I_{LOAD} \leq 2A$	• 2.375	2.5	2.625	V
Over Current Trip Level			80		% $V_O$
<b>VAGP Linear Regulator</b>					
Output Voltage	$I_{LOAD} \leq 2A$ , TYPEDET = 0V	• 1.425	1.5	1.575	V
Output Voltage	$I_{LOAD} \leq 2A$ , TYPEDET = OPEN	• 3.135	3.3	3.465	V
Over Current Trip Level			80		% $V_O$
<b>Common Functions</b>					
Oscillator Frequency		• 255	300	345	kHz
PWRGD Threshold <sup>4</sup> Switcher	Logic HIGH [ $V_{VID} + 85mV$ ] Logic LOW [ $V_{VID} - 155mV$ ]	• 88 • 80		112 120	%
PWRGD Delay Switcher	HIGH → LOW		6		$\mu sec$
PWRGD Hysteresis Switcher			25		mV
PWRGD Threshold <sup>4</sup> Linear Regulators	All Outputs	•	80		% $V_{out}$

**Notes:**

1. Steady State Voltage Regulation includes Initial Voltage Setpoint, Droop, Output Ripple and Output Temperature Drift and is measured at the converter's VFB sense point.
2. As measured at the converter's VFB sense point. For motherboard applications, the PCB layout should exhibit no more than  $0.5m\Omega$  trace resistance between the converter's output capacitors and the CPU. Remote sensing should be used for optimal performance.
3. Using the VFB pin for remote sensing of the converter's output at the load, and the appropriate droop, the converter will be in compliance with Intel's VRM 8.5 specification. If Intel specifications on maximum plane resistance from the converter's output capacitors to the CPU are met, the specifications at the capacitors will also be met.
4. PWRGD will be high only if BOTH the linears and the switcher conditions are met. PWRGD will be low if EITHER condition is met.

**Table 1. Output Voltage Programming Codes for FAN5056MV85**

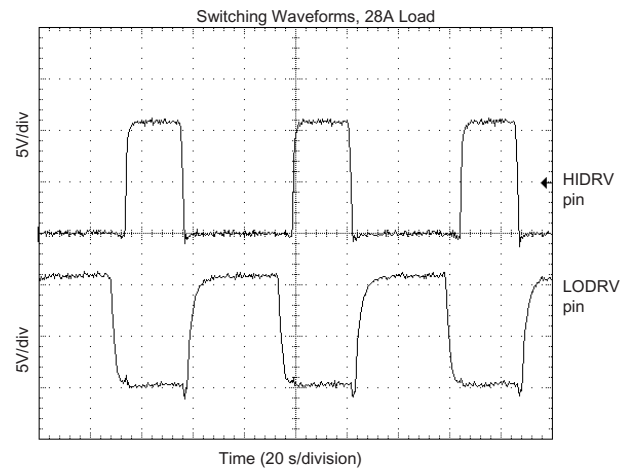
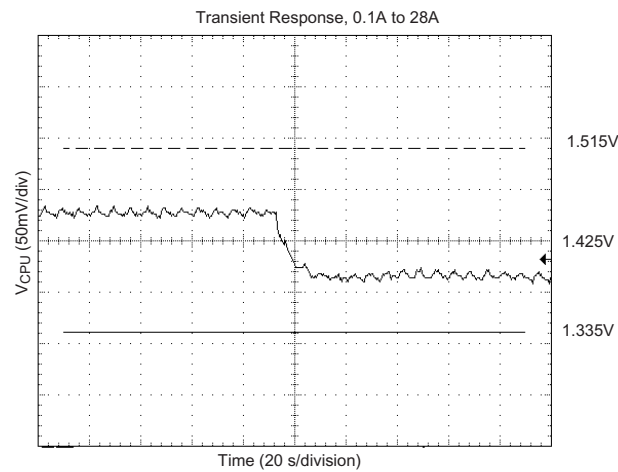
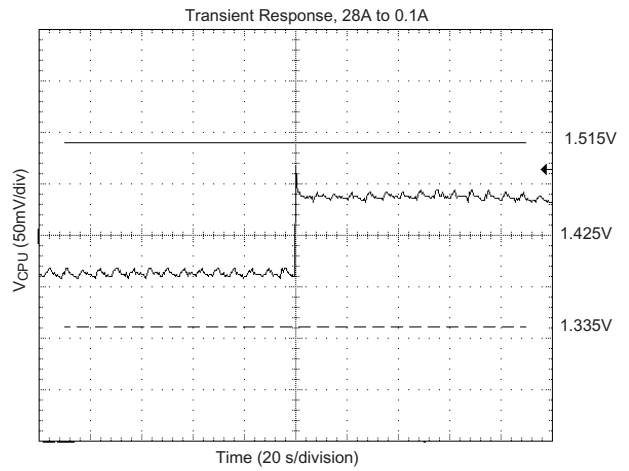
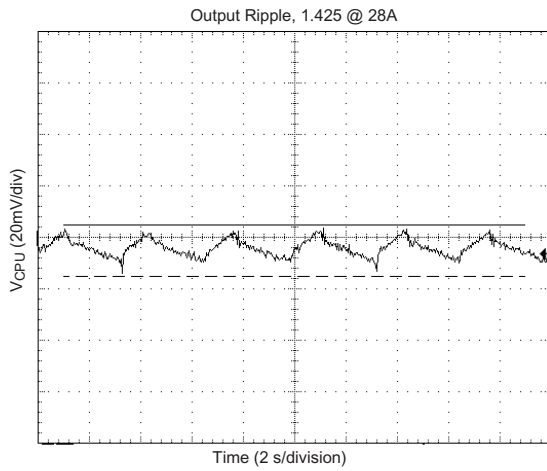
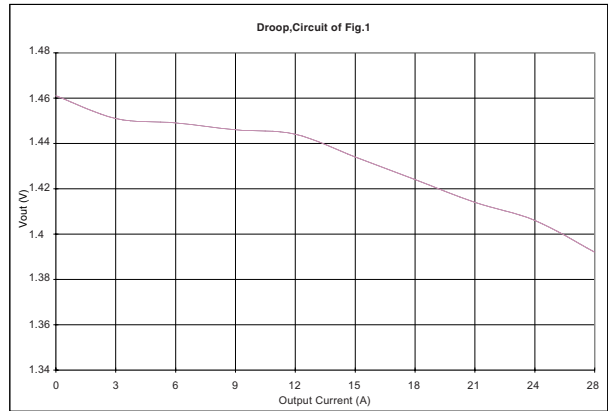
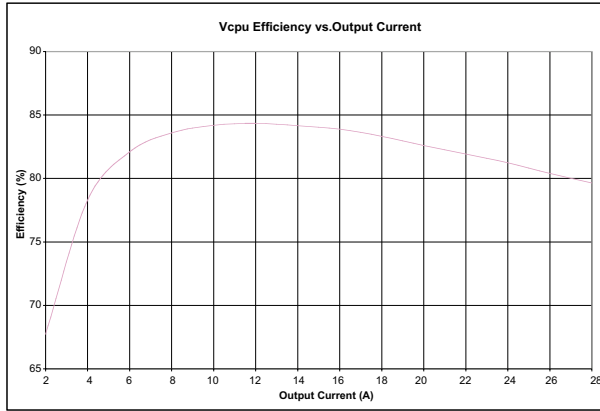
VID25mV	VID3	VID2	VID1	VID0	Nominal V <sub>OUT</sub>
0	0	1	0	0	1.050V
1	0	1	0	0	1.075V
0	0	0	1	1	1.100V
1	0	0	1	1	1.125V
0	0	0	1	0	1.150V
1	0	0	1	0	1.175V
0	0	0	0	1	1.200V
1	0	0	0	1	1.225V
0	0	0	0	0	1.250V
1	0	0	0	0	1.275V
0	1	1	1	1	1.300V
1	1	1	1	1	1.325V
0	1	1	1	0	1.350V
1	1	1	1	0	1.375V
0	1	1	0	1	1.400V
1	1	1	0	1	1.425V
0	1	1	0	0	1.450V
1	1	1	0	0	1.475V
0	1	0	1	1	1.500V
1	1	0	1	1	1.525V
0	1	0	1	0	1.550V
1	1	0	1	0	1.575V
0	1	0	0	1	1.600V
1	1	0	0	1	1.625V
0	1	0	0	0	1.650V
1	1	0	0	0	1.675V
0	0	1	1	1	1.700V
1	0	1	1	1	1.725V
0	0	1	1	0	1.750V
1	0	1	1	0	1.775V
0	0	1	0	1	1.800V
1	0	1	0	1	1.825V

**Note:**

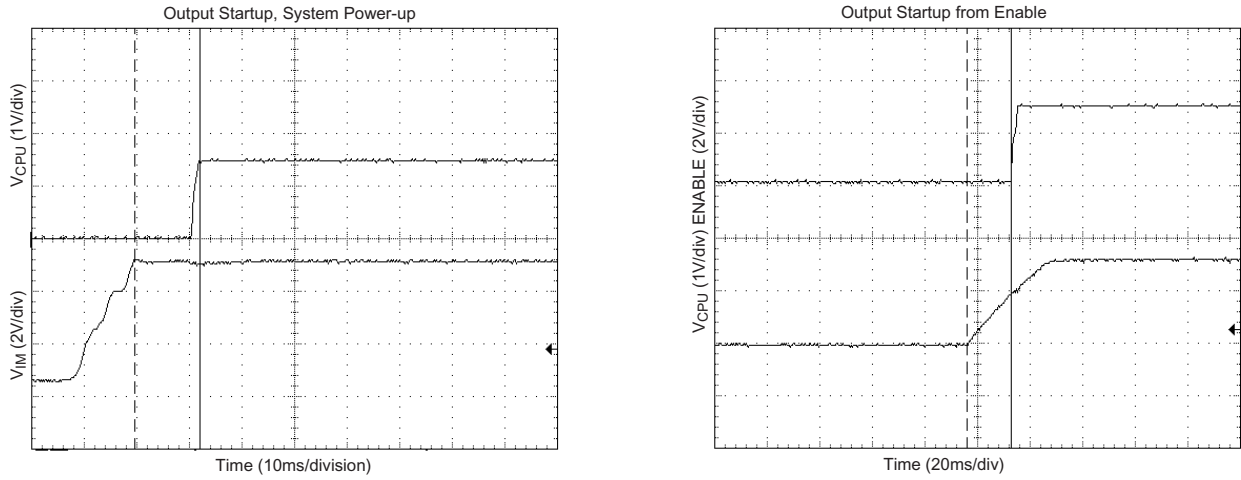
- 0 = processor pin is tied to GND.  
1 = processor pin is pulled up to 3.3V.

# Typical Operating Characteristics

( $V_{CCA} = 5V$ ,  $V_{CCP} = 12V$ , and  $T_A = +25^\circ C$  using circuit in Figure 1, unless otherwise noted.)



Typical Operating Characteristics (continued)



Application Circuit

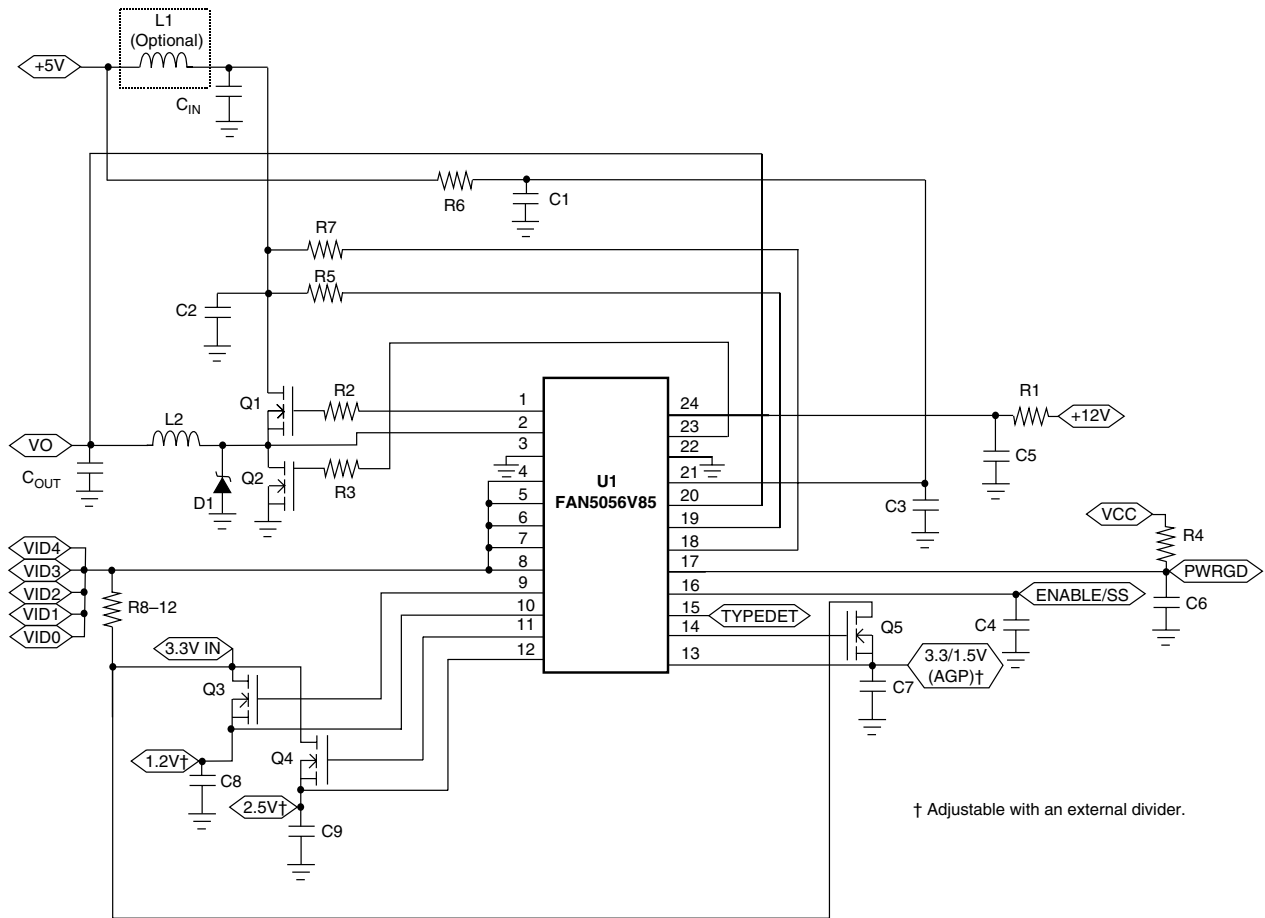


Figure 1. Application Circuit for VRM8.5 Motherboards  
(Worst Case Analyzed! See Appendix for Details)

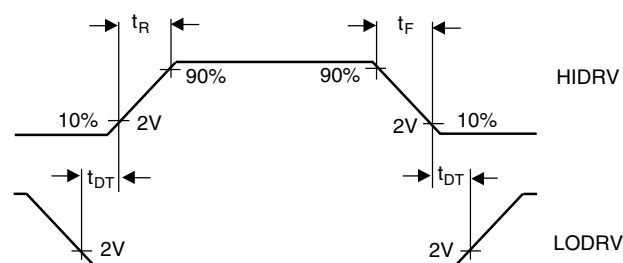
**Table 3. FAN5056 Application Bill of Materials for Intel VRM8.5 Motherboards**

(Components based on Worst Case Analysis—See Appendix for Details)

Reference	Manufacturer Part #	Quantity	Description	Requirements/Comments
C1	AVX TAJB475M010R5	1	4.7 $\mu$ F, 10V Capacitor	
C2, C5	Panasonic ECU-V1C105ZFX	2	1 $\mu$ F, 16V Capacitor	
C3-4, C6	Panasonic ECU-V1H104ZFX	3	100nF, 50V Capacitor	
C7-9	Sanyo 6MV1000FA	3	1000 $\mu$ F, 6.3V Electrolytic	
C <sub>IN</sub>	Rubycon 16ZL1000M	4	1000 $\mu$ F, 16V Electrolytic	I <sub>RMS</sub> = 2.3A
C <sub>OUT</sub>	Rubycon 6.3ZL1500M	8	1500 $\mu$ F, 6.3V Electrolytic	ESR $\leq$ 23m $\Omega$
D1	Motorola MBRD835L	1	8A Schottky Diode	
L1	Any	Optional	1.3 $\mu$ H, 10A Inductor	DCR ~ 6m $\Omega$ See Note 1.
L2	Coiltronics HC2-1R0	1	1.0 $\mu$ H, 34A Inductor	DCR ~ 1m $\Omega$
Q1	Fairchild FDD6690A	2	N-Channel MOSFET	R <sub>DS(ON)</sub> = 17m $\Omega$ @ V <sub>GS</sub> = 4.5V See Note 2.
Q2	Fairchild FDD6680A	2	N-Channel MOSFET	R <sub>DS(ON)</sub> = 13m $\Omega$ @ V <sub>GS</sub> = 4.5V See Note 2.
Q3-5	Fairchild NDB4032L	3	N-Channel MOSFET	
R1, R6	Any	2	10 $\Omega$	
R2-3	Any	2	4.7 $\Omega$	
R4, R8-12	Any	6	10K $\Omega$	
R5	Any	1	27.4K $\Omega$	
R7	Any	1	8.66K $\Omega$	
U1	Fairchild FAN5056MV85M	1	DC/DC Controller	

**Notes:**

- Inductor L1 is recommended to isolate the 5V input supply from noise generated by the MOSFET switching, and to comply with Intel di/dt requirements. L1 may be omitted if desired.
- For 30A designs using the TO-220 MOSFETs, heatsinks with thermal resistance  $\Theta_{SA} < 20^{\circ}\text{C/W}$  should be used. For designs using the TO-263 MOSFETs, adequate copper area should be used. For details and a spreadsheet on MOSFET selections, refer to Applications Bulletins AB-8 and AB-15.

**Test Parameters****Figure 2. Output Drive Timing Diagram**



## Application Information

### The FAN5056 Controller

The FAN5056 is a programmable synchronous DC-DC controller IC. When designed around the appropriate external components, the FAN5056 can be configured to deliver more than 28A of output current, as appropriate for Intel's VRM8.5, and other processors. The FAN5056 functions as a fixed frequency PWM step down regulator.

### Main Control Loop

Refer to the FAN5056 Block Diagram on page 1. The FAN5056 implements "summing mode control," which is different from both classical voltage-mode and current-mode control. It provides superior performance to either by allowing a large converter bandwidth over a wide range of output loads.

The control loop of the regulator contains two main sections: the analog control block and the digital control block. The analog section consists of signal conditioning amplifiers feeding into a comparator which provides the input to the digital control block. The signal conditioning section accepts input from the DROOP (current feedback) and VFB (voltage feedback) pins and sets up two controlling signal paths. The first, the voltage control path, amplifies the difference between the VFB signal and the reference voltage from the DAC and presents the output to one of the summing amplifier inputs. The second, current control path, takes the difference between the DROOP and SW pins when the high-side MOSFET is on, reproducing the voltage across the MOSFET and thus the input current; it presents the resulting signal to another input of the summing amplifier. These two signals are then summed together. This output is then presented to a comparator looking at the oscillator ramp, which provides the main PWM control signal to the digital control block.

The digital control block takes the analog comparator input and the main clock signal from the oscillator to provide the appropriate pulses to the HIDRV and LODRV output pins. These two outputs control the external power MOSFETs.

There is an additional comparator in the analog control section whose function is to set the point at which the FAN5056 current limit comparator disables the output drive signals to the external power MOSFETs.

### High Current Output Drivers

The FAN5056 contains two identical high current output drivers that utilize high speed bipolar transistors in a push-pull configuration. The drivers' power and ground are separated from the chip's power and ground for switching noise immunity. The power supply pin,  $V_{CCP}$ , is supplied from an external 12V source through a series resistor. The resulting voltage is sufficient to provide the gate to source drive to the external MOSFETs required in order to achieve a low  $R_{DS,ON}$ .

### Internal Voltage Reference

The reference included in the FAN5056 is a precision band-gap voltage reference. Its internal resistors are precisely trimmed to provide a near zero temperature coefficient (TC). Based on the reference is the output from an integrated 5-bit DAC.

In the FAN5056MV85, the DAC monitors the 5 voltage identification pins, VID0-4, and scales the voltage from 1.050V to 1.825V in 25mV steps according to Table I.

### Power Good (PWRGD)

The FAN5056 Power Good function is designed in accordance with VRM8.5 and DC-DC converter specifications and provides a continuous voltage monitor on the VFB pin. The circuit compares the VFB signal to the VREF voltage and outputs an active-low interrupt signal to the CPU should either of two conditions obtain: 1) any of the linear power supply voltages deviate more than -20% from their nominal setpoint; 2) The switching power supply output is more than +14% from ( $V_{VID} + 80mV$ ), or less than -14% from ( $V_{VID} - 120mV$ ). The Power Good flag provides no other control function to the FAN5056.

### Output Enable/Soft Start (ENABLE/SS)

The FAN5056 will accept an open collector/TTL signal for controlling the output voltage. The low state disables the output voltage. When disabled, the PWRGD output is in the low state.

Even if an enable is not required in the circuit, this pin should have attached a capacitor (typically 100nF) to soft-start the switching.

### Over-Voltage Protection

The FAN5056 continuously monitors the output voltage for protection against over-voltage conditions. If the voltage at the VFB pin exceeds approximately 2.5V, an OVP circuit forces the low-side MOSFET on, over-riding all other conditions. The OVP circuit remains active, and the low-side MOSFET remains on, until the VFB voltage drops below approximately 2.1V. The OVP circuit is functional even during startup; thus, protection is provided even during startup with a shorted high-side MOSFET.

### Oscillator

The FAN5056 oscillator section uses a fixed frequency of operation of 300KHz.

### Design Considerations and Component Selection

Additional information on design and component selection may be found in Fairchild’s Application Note 57.

#### MOSFET Selection

This application requires N-channel Logic Level Enhancement Mode Field Effect Transistors. Desired characteristics are as follows:

- Low Static Drain-Source On-Resistance,  $R_{DS,ON} < 20m\Omega$  (lower is better)
- Low gate drive voltage,  $V_{GS} = 4.5V$  rated
- Power package with low Thermal Resistance
- Drain-Source voltage rating  $> 15V$ .

The on-resistance ( $R_{DS,ON}$ ) is the primary parameter for MOSFET selection. The on-resistance determines the power dissipation within the MOSFET and therefore significantly affects the efficiency of the DC-DC Converter. For details and a spreadsheet on MOSFET selection, refer to Applications Bulletin AB-8.

#### Inductor Selection

Choosing the value of the inductor is a trade-off between allowable ripple voltage and required transient response. The system designer can choose any value within the allowed minimum to maximum range in order to either minimize ripple or maximize transient performance. The first order equation (close approximation) for minimum inductance is:

$$L_{min} = \frac{(V_{in} - V_{out})}{f} \times \frac{V_{out}}{V_{in}} \times \frac{ESR}{V_{ripple}}$$

where:

- $V_{in}$  = Input Power Supply
- $V_{out}$  = Output Voltage
- $f$  = DC/DC converter switching frequency
- ESR = Equivalent series resistance of all output capacitors in parallel
- $V_{ripple}$  = Maximum peak to peak output ripple voltage budget.

The first order equation for maximum allowed inductance is:

$$L_{max} = 2C_o \frac{(V_{in} - V_{out}) D_m V_{tb}}{I_{pp}^2}$$

where:

- $C_o$  = The total output capacitance
- $I_{pp}$  = Maximum to minimum load transient current
- $V_{tb}$  = The output voltage tolerance budget allocated to load transient
- $D_m$  = Maximum duty cycle for the DC/DC converter (usually 95%).

Some margin should be maintained away from both  $L_{min}$  and  $L_{max}$ . Adding margin by increasing L almost always adds expense since all the variables are predetermined by system performance except for  $C_o$ , which must be increased to increase L. Adding margin by decreasing L can be done by purchasing capacitors with lower ESR. The FAN5056 provides significant cost savings for the newer CPU systems that typically run at high supply current.

#### FAN5056 Short Circuit Current Characteristics

The FAN5056 protects against output short circuit on the core supply by latching off both the high-side and low-side MOSFETs. The FAN5056 short circuit current characteristic includes a hysteresis function that prevents the DC-DC converter from oscillating in the event of a short circuit. The short circuit limit is set with the  $R_S$  resistor, as given by the formula

$$R_S = \frac{I_{SC} * R_{DS, on}}{I_{Detect}}$$

with  $I_{Detect} \approx 50\mu A$ ,  $I_{SC}$  the desired current limit, and  $R_{DS, on}$  the high-side MOSFET’s on resistance. Remember to make the  $R_S$  large enough to include the effects of initial tolerance and temperature variation on the MOSFET’s  $R_{DS, on}$ . Alternately, use of a sense resistor in series with the source of the MOSFET, as shown in Figure 6, eliminates this source of inaccuracy in the current limit.

As an example, Figure 3 shows the typical characteristic of the DC-DC converter circuit with two FDD6690A high-side MOSFETs ( $R_{DS} = 17m\Omega$  maximum at  $25^\circ C * 1.25$  at  $75^\circ C = 21.25m\Omega$  each for a total of  $10.6m\Omega$ ) and a  $6.19K\Omega R_S$ .

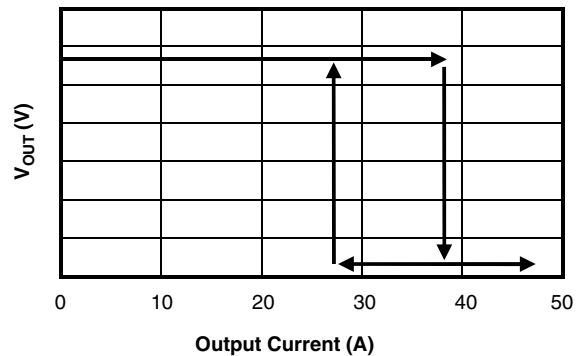


Figure 3. FAN5056 Short Circuit Characteristic

The converter exhibits a normal load regulation characteristic until the voltage across the MOSFET exceeds the internal short circuit threshold of  $50\mu A * 6.2K\Omega = 310mV$ , which occurs at  $310mV/10.6m\Omega = 29A$ . [Note that this current limit level can be as high as  $310mV/6.5m\Omega = 48A$ , if the MOSFET has typical  $R_{DS, on}$  rather than maximum, and is at  $25^\circ C$ . This is the reason for using the external sense resistor.] At this point, the internal comparator trips and signals the

controller to reduce the converter’s duty cycle to approximately 20%. This causes a drastic reduction in the output voltage as the load regulation collapses into the short circuit control mode. With a 4mΩ output short, the voltage is reduced to 29A \* 4mΩ = 116mV. The output voltage does not return to its nominal value until the output current is reduced to a value within the safe operating range for the DC-DC converter.

**Schottky Diode Selection**

The application circuits of Figure 1 shows a Schottky diode, D1, which is used as a free-wheeling diode to assure that the body-diode in Q2 does not conduct when the upper MOSFET is turning off and the lower MOSFET is turning on. It is undesirable for this diode to conduct because its high forward voltage drop and long reverse recovery time degrades efficiency, and so the Schottky provides a shunt path for the current. Since this time duration is very short, the selection criterion for the diode is that the forward voltage of the Schottky at the output current should be less than the forward voltage of the MOSFET’s body diode.

**Output Filter Capacitors**

The output bulk capacitors of a converter help determine its output ripple voltage and its transient response. It has already been seen in the section on selecting an inductor that the ESR helps set the minimum inductance, and the capacitance value helps set the maximum inductance. For most converters, however, the number of capacitors required is determined by the transient response and the output ripple voltage, and these are determined by the ESR and not the capacitance value. That is, in order to achieve the necessary ESR to meet the transient and ripple requirements, the capacitance value required is already very large.

The most commonly used choice for output bulk capacitors is aluminum electrolytics, because of their low cost and low ESR. The only type of aluminum capacitor used should be those that have an ESR rated at 100kHz. Consult Application Bulletin AB-14 for detailed information on output capacitor selection.

The output capacitance should also include a number of small value ceramic capacitors placed as close as possible to the processor; 0.1μF and 0.01μF are recommended values.

**Input Filter**

The DC-DC converter design may include an input inductor between the system +5V supply and the converter input as shown in Figure 5. This inductor serves to isolate the +5V supply from the noise in the switching portion of the DC-DC converter, and to limit the inrush current into the input capacitors during power up. A value of 2.5μH is recommended.

It is necessary to have some low ESR aluminum electrolytic capacitors at the input to the converter. These capacitors

deliver current when the high side MOSFET switches on. Figure 4 shows 3 x 1000μF, but the exact number required will vary with the speed and type of the processor. Capacitor ripple current rating is a function of temperature, and so the manufacturer should be contacted to find out the ripple current rating at the expected operational temperature. For details on the design of an input filter, refer to Applications Bulletin AB-15.

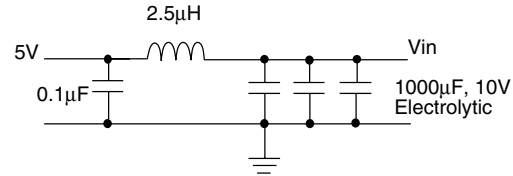


Figure 4. Input Filter

**Programmable Active Droop™**

The FAN5056 includes Programmable Active Droop™: as the output current increases, the output voltage drops, and the amount of this drop is user adjustable. This is done in order to allow maximum headroom for transient response of the converter. The current is typically sensed by measuring the voltage across the R<sub>DS,on</sub> of the high-side MOSFET during its on time, as shown in Figures 1 and 2.

To program the amount of droop, use the formula

$$R_D = \frac{14.4K\Omega * I_{max} * R_{sense}}{V_{Droop} * 3}$$

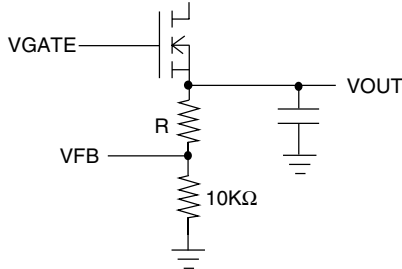
where I<sub>max</sub> is the current at which the droop occurs, and R<sub>sense</sub> is the resistance of the current sensor, either the source resistor or the high-side MOSFET’s on-resistance. For example, to get 120mV of droop with a maximum output current of 30A and a 10mΩ sense resistor, use R<sub>D</sub> = 14.4KΩ \* 30A \* 10mΩ / (120mV \* 3) = 12KΩ. The value of the product I<sub>max</sub>\*R<sub>sense</sub> must be ≤ 600mV for proper functioning of the droop circuit. If this product is exceeded, a lower resistance MOSFET must be used. Further details on use of the Programmable Active Droop™ may be found in Applications Bulletin AB-24.

**Remote Sense**

The FAN5056 offers remote sense of the output voltage to minimize the output capacitor requirements of the converter. It is highly recommended that the remote sense pin, Pin 20, be tied directly to the processor power pins, so that the effects of power plane impedance are eliminated. Further details on use of the remote sense feature of the FAN5056 may be found in Applications Bulletin AB-24.

## Adjusting the Linear Regulators' Output Voltages

Any or all of the linear regulators' outputs may be adjusted high to compensate for voltage drop along traces, as shown in Figure 5.



**Figure 5. Adjusting the Output Voltage of the Linear Regulator**

The resistor value should be chosen as

$$R = 2K\Omega * \left( \frac{V_{out}}{V_{nom}} \right)$$

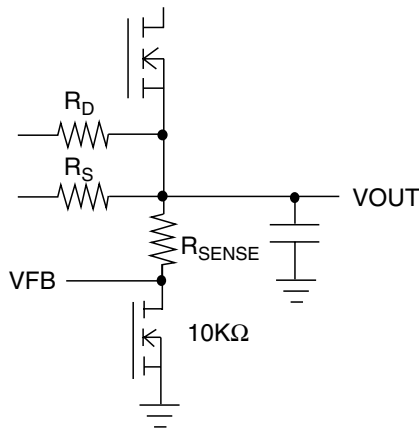
For example, to get the  $V_{ADJ}$  voltage to be 1.50V instead of 1.20V, use  $R = 2K\Omega * [(1.50/1.20) - 1] = 500\Omega$ .

## Using the FAN5056 for Vnorthbridge = 1.8V

Similarly, the FAN5056 can also be used to generate Vnorthbridge = 1.8V by utilizing the AGP regulator as shown in Figure 5: tie the TYPEDET pin to ground, and use  $R = 399\Omega$ .

## Coppermine/Tualatin VTT

The adjustable regulator may be used for powering VTT in systems in which either a Coppermine or a Tualatin processor may be used, as shown in Figure 6.



**Figure 6. Using VADJ to Generate VTT**

## PCB Layout Guidelines

- Placement of the MOSFETs relative to the FAN5056 is critical. Place the MOSFETs such that the trace length of the HIDRV and LODRV pins of the FAN5056 to the FET gates is minimized. A long lead length on these pins will cause high amounts of ringing due to the inductance of the trace and the gate capacitance of the FET. This noise radiates throughout the board, and, because it is switching at such a high voltage and frequency, it is very difficult to suppress.
- In general, all of the noisy switching lines should be kept away from the quiet analog section of the FAN5056. That is, traces that connect to pins 1, 2, 23, and 24 (HIDRV, SW, LODRV and  $V_{CCP}$ ) should be kept far away from the traces that connect to pins 3, 20 and 21.
- Place the 0.1 $\mu$ F decoupling capacitors as close to the FAN5056 pins as possible. Extra lead length on these reduces their ability to suppress noise.
- Each  $V_{CC}$  and GND pin should have its own via to the appropriate plane. This helps provide isolation between pins.
- Place the MOSFETs, inductor, and Schottky as close together as possible for the same reasons as in the first bullet above. Place the input bulk capacitors as close to the drains of the high side MOSFETs as possible. In addition, placement of a 0.1 $\mu$ F decoupling cap right on the drain of each high side MOSFET helps to suppress some of the high frequency switching noise on the input of the DC-DC converter.
- Place the output bulk capacitors as close to the CPU as possible to optimize their ability to supply instantaneous current to the load in the event of a current transient. Additional space between the output capacitors and the CPU will allow the parasitic resistance of the board traces to degrade the DC-DC converter's performance under severe load transient conditions, causing higher voltage deviation. For more detailed information regarding capacitor placement, refer to Application Bulletin AB-5.
- A PC Board Layout Checklist is available from Fairchild Applications. Ask for Application Bulletin AB-11.

## Additional Information

For additional information contact your local Fairchild Semiconductor representative, or visit us at our web site [www.fairchildsemi.com](http://www.fairchildsemi.com).

## Appendix

### Worst-Case Formulae for the Calculation of $C_{in}$ , $C_{out}$ , $R_5$ , $R_7$ and $R_{offset}$ (Circuits similar to Figure 1 only)

The following formulae design the FAN5056 for worst-case operation, including initial tolerance and temperature dependence of all of the IC parameters (initial setpoint, reference tolerance and tempco, internal droop impedance, current sensor gain), the initial tolerance and temperature dependence of the MOSFET, and the ESR of the capacitors. The following information must be provided:

$V_{S+}$ , the value of the positive static voltage limit;

$|V_{S-}|$ , the absolute value of the negative static voltage limit;

$V_{T+}$ , the value of the positive transient voltage limit;

$|V_{T-}|$ , the absolute value of the negative transient voltage limit;

$I_O$ , the maximum output current;

$V_{nom}$ , the nominal output voltage;

$V_{in}$ , the input voltage (typically 5V);

$I_{rms}$ , the ripple current rating of the input capacitors, per cap (2A for the Sanyo parts shown in this data sheet);

$R_D$ , the resistance of the current sensor (usually the MOSFET);

$\Delta R_D$ , the tolerance of the current sensor (usually about 67% for MOSFET sensing, including temperature); and

ESR, the ESR of the output capacitors, per cap (44mΩ for the Sanyo parts shown in this data sheet).

$$C_{in} = \frac{I_O * \sqrt{\frac{V_{nom}}{V_{in}} - \left(\frac{V_{nom}}{V_{in}}\right)^2}}{I_{rms}}$$

$$R_{offset} = \frac{V_{S+} - .014 * V_{nom} - .029}{.029 * V_{nom}} * 1K\Omega$$

$$R_7 = \frac{I_O * R_D * (1 + \Delta R_D)}{45 * 10^{-6}}$$

$$R_5 = \frac{14400 * I_O * R_D * (1 + \Delta R_D) * 1.1}{18 * (V_{S+} + |V_{S-}| - .024 * V_{nom})}$$

Number of capacitors needed for  $C_{OUT}$  = the greater of:

$$X = \frac{ESR * I_O}{|V_{T-}| + V_{S+} - .024 * V_{nom}}$$

or

$$Y = \frac{ESR * I_O}{V_{T+} - V_{S+} + \frac{14400 * I_O * R_D}{18 * R_5 * 1.1}}$$

Example: Suppose that the static limits are +89mV/-79mV, transient limits are ±134mV, current I is 14.2A, and the nominal voltage is 2.000V, using MOSFET current sensing. We have  $V_{S+} = 0.089$ ,  $|V_{S-}| = 0.079$ ,  $V_{T+} = |V_{T-}| = 0.134$ ,  $I_O = 14.2$ ,  $V_{nom} = 2.000$ , and  $\Delta R_D = 1.67$ . We calculate:

$$C_{in} = \frac{14.2 * \sqrt{\frac{2.000}{5} - \left(\frac{2.000}{5}\right)^2}}{2} = 3.47 \Rightarrow 4 \text{ caps}$$

$$R_{offset} = \frac{0.089 - .014 * 2.000 - .029}{0.029 + 2.000} * 1000 = 15.8\Omega$$

$$R_7 = \frac{14.2 * 0.020 * (1 + 0.67)}{45 * 10^{-6}} = 10.5K\Omega$$

$$R_5 = \frac{14400 * 14.2 * 0.020 * (1 + 0.67) * 1.1}{18 * (0.089 + 0.079 - .024 * 2.000)} = 3.48K\Omega$$

$$X = \frac{0.044 * 14.2}{0.134 + 0.089 - .024 * 2.00} = 3.57$$

$$Y = \frac{0.044 * 14.2}{0.134 - 0.089 + \frac{14400 * 14.2 * 0.020}{18 * 3640 * 1.1}} = 6.14$$

Since  $Y > X$ , we choose Y, and round up to find we need 7 capacitors for  $C_{OUT}$ .

A detailed explanation of this calculation may be found in Applications Bulletin AB-24.

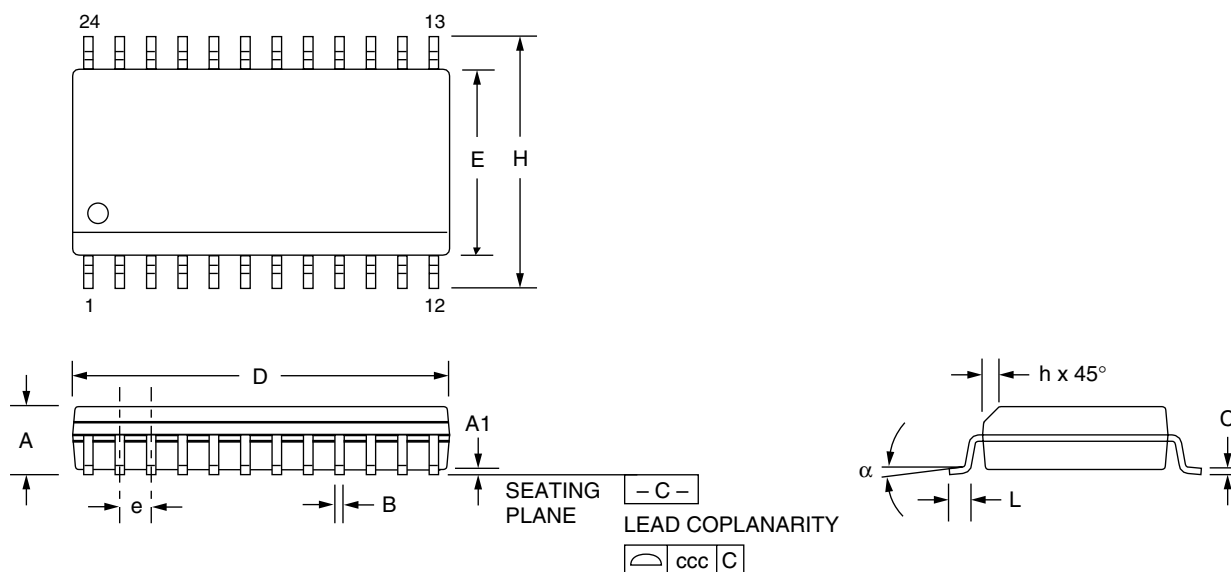
# Mechanical Dimensions

## 24 Lead SOIC

Symbol	Inches		Millimeters		Notes
	Min.	Max.	Min.	Max.	
A	.093	.104	2.35	2.65	
A1	.004	.012	0.10	0.30	
B	.013	.020	0.33	0.51	
C	.009	.013	0.23	0.32	5
D	.599	.614	15.20	15.60	2
E	.290	.299	7.36	7.60	2
e	.050 BSC		1.27 BSC		
H	.394	.419	10.00	10.65	
h	.010	.020	0.25	0.51	
L	.016	.050	0.40	1.27	3
N	24		24		6
$\alpha$	0°	8°	0°	8°	
ccc	—	.004	—	0.10	

**Notes:**

1. Dimensioning and tolerancing per ANSI Y14.5M-1982.
2. "D" and "E" do not include mold flash. Mold flash or protrusions shall not exceed .010 inch (0.25mm).
3. "L" is the length of terminal for soldering to a substrate.
4. Terminal numbers are shown for reference only.
5. "C" dimension does not include solder finish thickness.
6. Symbol "N" is the maximum number of terminals.



## Ordering Information

Product Number	Description	Package
FAN5056MV85	VRM8.5	24 pin SOIC

### DISCLAIMER

FAIRCHILD SEMICONDUCTOR RESERVES THE RIGHT TO MAKE CHANGES WITHOUT FURTHER NOTICE TO ANY PRODUCTS HEREIN TO IMPROVE RELIABILITY, FUNCTION OR DESIGN. FAIRCHILD DOES NOT ASSUME ANY LIABILITY ARISING OUT OF THE APPLICATION OR USE OF ANY PRODUCT OR CIRCUIT DESCRIBED HEREIN; NEITHER DOES IT CONVEY ANY LICENSE UNDER ITS PATENT RIGHTS, NOR THE RIGHTS OF OTHERS.

### LIFE SUPPORT POLICY

FAIRCHILD'S PRODUCTS ARE NOT AUTHORIZED FOR USE AS CRITICAL COMPONENTS IN LIFE SUPPORT DEVICES OR SYSTEMS WITHOUT THE EXPRESS WRITTEN APPROVAL OF THE PRESIDENT OF FAIRCHILD SEMICONDUCTOR CORPORATION. As used herein:

1. Life support devices or systems are devices or systems which, (a) are intended for surgical implant into the body, or (b) support or sustain life, or (c) whose failure to perform when properly used in accordance with instructions for use provided in the labeling, can be reasonably expected to result in significant injury to the user.
2. A critical component is any component of a life support device or system whose failure to perform can be reasonably expected to cause the failure of the life support device or system, or to affect its safety or effectiveness.