

## LM3814/LM3815

### Fast Current Gauge IC with Ultra Low Loss Sense Element and PWM Output

#### General Description

The LM3814/LM3815 Current Gauges provide easy to use precision current measurement with virtually zero insertion loss (typically  $0.004\Omega$ ). The LM3814 is used for high-side sensing and the LM3815 is used for low-side sensing.

A Delta Sigma analog to digital converter is incorporated to precisely measure the current and to provide a current averaging function. Current is averaged over 6 msec time periods in order to provide immunity to current spikes. The ICs have a pulse-width modulated (PWM) output which indicates the current magnitude and direction. The shutdown pin can be used to inhibit false triggering during start-up, or to enter a low quiescent current mode.

The LM3814 and LM3815 are factory-set in two different current options. The sense range is  $-1A$  to  $+1A$  or  $-7A$  to  $+7A$ . The user specifies a particular part number to match the current range for a given application. The sampling interval for these parts is 6ms. If larger sampling interval is desired for better accuracy, please refer to the data sheets for the part numbers LM3812 and LM3813.

#### Key Specifications

- Ultra low insertion loss (typically  $0.004\Omega$ )
- 2V to 5.25V supply range
- $\pm 3.5\%$  accuracy at room temperature (includes accuracy of the internal sense element) (LM3814-1.0, LM3815-1.0)
- Low quiescent current in shutdown mode (typically 2.5  $\mu A$ )
- 6 msec sampling interval

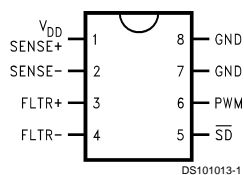
#### Features

- No external sense element required
- PWM output indicates the current magnitude and direction
- PWM output can be interfaced with microprocessors
- Precision  $\Delta\Sigma$  current-sense technique
- Low temperature sensitivity
- Internal filtering rejects false trips
- Internal Power-On-Reset (POR)

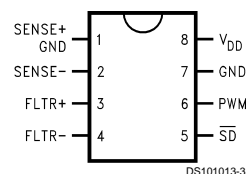
#### Applications

- Battery charge/discharge gauge
- Motion control diagnostics
- Power supply load monitoring and management
- Resettable smart fuse

#### Connection Diagrams



Top View  
LM3814  
for High-Side Sensing



Top View  
LM3815  
for Low-Side Sensing

## Ordering Information

Order No.#	Sense Range	Sampling Interval*	Sensing Method	NS Package Number <sup>†</sup>	Package Type	Supplied As:
LM3814M-1.0	±1A	6 ms	High-side	M08A	SO-8	95 units in Rails
LM3814MX-1.0	±1A	6 ms	High-side	M08A	SO-8	2.5k units on Tape and Reel
LM3814M-7.0	±7A	6 ms	High-side	M08A	SO-8	95 units in Rails
LM3814MX-7.0	±7A	6 ms	High-side	M08A	SO-8	2.5k units on Tape and Reel
LM3815M-1.0	±1A	6 ms	Low-side	M08A	SO-8	95 units in Rails
LM3815MX-1.0	±1A	6 ms	Low-side	M08A	SO-8	2.5k units on Tape and Reel
LM3815M-7.0	±7A	6 ms	Low-side	M08A	SO-8	95 units in Rails
LM3815MX-7.0	±7A	6 ms	Low-side	M08A	SO-8	2.5k units on Tape and Reel

\* Suffix M indicates that the part is available in Surface Mount package. Suffix X indicates that the part is available in 2.5k units on Tape and Reel.

\* Current is sampled over a fixed interval. The average current during this interval is indicated by the duty cycle of the PWM output during next interval.

<sup>†</sup> The Package code M08A is internal to National Semiconductor and indicates an 8-lead surface mount package, SO-8.

## Pin Description (High-Side, LM3814)

Pin	Name	Function
1	SENSE+, V <sub>DD</sub>	High side of internal current sense, also supply voltage.
2	SENSE-	Low side of internal current sense.
3	FLTR+	Filter input — provides anti-aliasing for delta sigma modulator.
4	FLTR-	Filter input.
5	$\overline{SD}$	Shutdown pin. Connected to V <sub>DD</sub> through a pull up resistor for normal operation. When low, the IC goes into a low current mode (typically 3 $\mu$ A).
6	PWM	PWM output indicates the current magnitude and direction.
7	GND	Ground
8	GND	Ground

## Pin Description (Low-Side, LM3815)

Pin	Name	Function
1	SENSE+, GND	High side of internal current sense, also ground.
2	SENSE-	Low side of internal current sense.
3	FLTR+	Filter input – provides anti-aliasing for delta sigma modulator.
4	FLTR-	Filter input.
5	$\overline{SD}$	Shutdown pin. Connected to V <sub>DD</sub> through a pull up resistor for normal operation. When low, the IC goes into a low current mode (typically 3 $\mu$ A).
6	PWM	PWM output indicates the current magnitude and direction.
7	GND	Ground
8	V <sub>DD</sub>	V <sub>DD</sub> (supply)

## Absolute Maximum Ratings (Note 1)

If Military/Aerospace specified devices are required, please contact the National Semiconductor Sales Office/Distributors for availability and specifications.

Absolute Maximum Supply Voltage	5.5V
Power Dissipation	(Note 2)
ESD Susceptibility (Note 3)	1.5 kV
Sense Current (peak, for 200 msec) (Note 4)	10A
Sink Current for PWM pin	1 mA
Voltage on Pin 5	5.25V

Maximum Junction Temperature	150°C
Storage Temperature	-65°C to +150°C
Lead Temperature (Soldering, 10 sec)	260°C

## Operating Ratings (Note 1)

Input Voltage	2.0V to 5.25V
Sense Current (continuous) (Note 4)	7A
Junction Temperature Range	-40°C to +125°C

## Electrical Characteristics

### LM3814-1.0, LM3815-1.0

$V_{DD} = 5.0V$  for the following specifications. Supply bypass capacitor is 1 $\mu$ F and filter capacitor is 0.1 $\mu$ F.

Symbol	Parameter	Conditions	Typ (Note 5)	Limit (Note 6)	Units
$I_{ACC}$	Average Current Accuracy (Note 7)	at 0.9A current	0.9	0.868 / <b>0.850</b> 0.932 / <b>0.950</b>	A A (min) A (max)
$e_n$	Effective Output Noise (rms)		12		mA

### LM3814-7.0, LM3815-7.0

$V_{DD} = 5.0V$  for the following specifications. Supply bypass capacitor is 1 $\mu$ F and filter capacitor is 0.1 $\mu$ F.

Symbol	Parameter	Conditions	Typ (Note 5)	Limit (Note 6)	Units
$I_{ACC}$	Average Current Accuracy (Note 7)	at 2.5A current (Note 8)	2.5	2.350 / <b>2.288</b> 2.650 / <b>2.712</b>	A A (min) A (max)
$e_n$	Effective Output Noise (rms)		120		mA

## Common Device Parameters

Unless otherwise specified,  $V_{DD} = 5.0V$  for the following specifications. Supply bypass capacitor is 1 $\mu$ F and filter capacitor is 0.1 $\mu$ F.

Symbol	Parameter	Conditions	Typ (Note 5)	Limit (Note 6)	Units
$I_{Q1}$	Quiescent Current	Normal Mode, $\overline{SD} = \text{high}$	100	<b>160</b>	$\mu$ A $\mu$ A (max)
$I_{Q2}$	Quiescent Current	Shutdown Mode, $\overline{SD} = \text{low}$	2.5	<b>10</b>	$\mu$ A $\mu$ A (max)
$D_{RES}$	PWM Resolution		0.8		%
$t_s$	Sampling Time		6	<b>4</b> <b>10</b>	ms ms (min) ms (max)
$f_p$	Frequency of PWM Waveform		160	<b>100</b> <b>250</b>	Hz Hz (min) Hz (max)
$V_{TH}$	Threshold High Level for $\overline{SD}$		1.2	<b>1.8</b>	V V (min)
$V_{TL}$	Threshold Low Level for $\overline{SD}$		1.3	<b>0.7</b>	V V (max)

## Common Device Parameters (Continued)

Unless otherwise specified,  $V_{DD} = 5.0V$  for the following specifications. Supply bypass capacitor is  $1\mu F$  and filter capacitor is  $0.1\mu F$ .

Symbol	Parameter	Conditions	Typ (Note 5)	Limit (Note 6)	Units
$V_{OH}$	Logic High Level for PWM	Load current = 1mA, $2V \leq V_{DD} \leq 5.25V$	$V_{DD} - 0.05$	$V_{DD} - 0.2$	V V (min)
$V_{OL}$	Logic Low Level for PWM	Sink current = 1mA, $2V \leq V_{DD} \leq 5.25V$	0.04	0.2	V V (max)
$P_I$	Insertion Loss	$I_{SENSE} = 1A$ (Note 9)	0.004		$\Omega$

**Note 1:** Absolute Maximum Ratings indicate limits beyond which damage to the device may occur. Operating Ratings indicate conditions for which the device is intended to be functional, but do not guarantee specific performance limits. For guaranteed specifications and test conditions, see Electrical Characteristics. The guaranteed specifications apply only for the test conditions listed. Some performance characteristics may degrade when the device is not operated under the listed test conditions.

**Note 2:** At elevated temperatures, devices must be derated based on package thermal resistance. The device in the surface-mount package must be derated at  $\theta_{JA} = 150^\circ C/W$  (typically), junction-to-ambient.

**Note 3:** The human body model is a 100 pF capacitor discharged through a 1.5 k $\Omega$  resistor into each pin.

**Note 4:** The absolute maximum peak and continuous currents specified are not tested. These specifications are dependent on the  $\theta_{JA}$ , which is  $150^\circ C/W$  for the S08 package.

**Note 5:** Typical numbers are at  $25^\circ C$  and represent the most likely parametric norm. Specifications in standard type face are for  $T_J = 25^\circ C$  and those with **boldface type** apply over **full operating temperature ranges**.

**Note 6:** Limits are 100% production tested at  $25^\circ C$ . Limits over the operating temperature range are guaranteed through correlation using Statistical Quality Control (SQC) methods. The limits are used to calculate National's Averaging Outgoing Quality Level (AOQL).

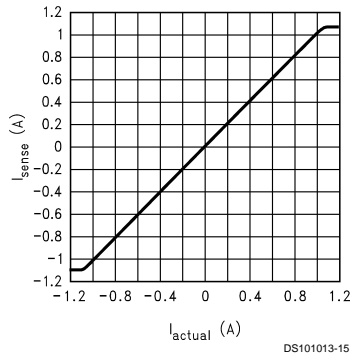
**Note 7:** There is a variation in accuracy over time due to thermal effects. Please refer to the PWM Output and Current Accuracy section for more information.

**Note 8:** The PWM accuracy for LM3814-7.0 and LM3815-7.0 depends on the amount of copper area under pins 1 and 2, and the layout. Please refer to the 'PWM Output and Current Accuracy' section for more information.

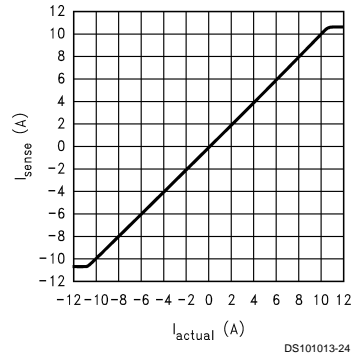
**Note 9:** The tolerance of the internal lead frame resistor is corrected internally. The temperature coefficient of this resistor is 2600 ppm/ $^\circ C$ .

## Typical Performance Characteristics Supply bypass capacitor is 0.1 $\mu$ F and filter capacitor is 0.1 $\mu$ F.

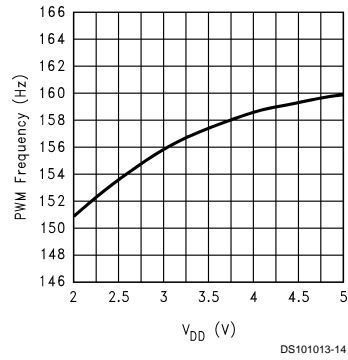
**Measured Current vs Actual Current  
(LM3814-1.0 and LM3815-1.0)**



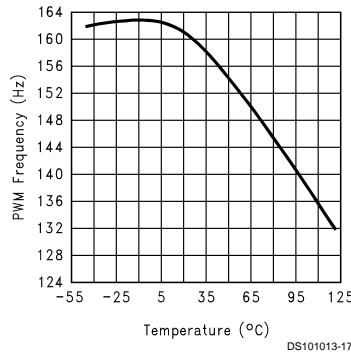
**Measured Current vs Actual Current  
(LM3814-7.0 and LM3815-7.0)**



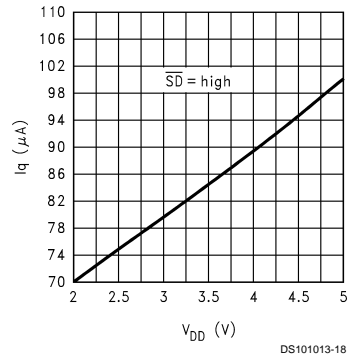
**PWM Frequency vs Supply Voltage**



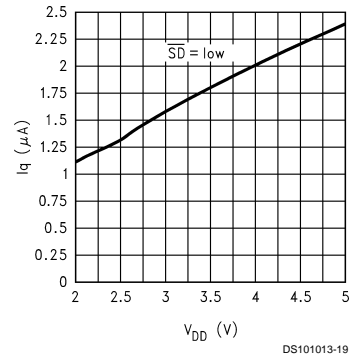
**PWM Frequency vs Temperature**



**Operating Current vs Supply Voltage**

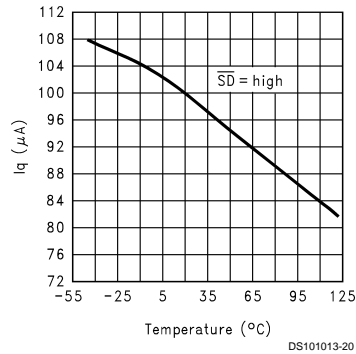


**Shutdown Current vs Supply Voltage**

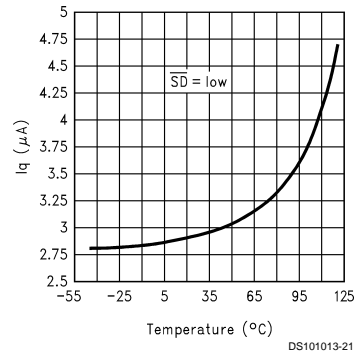


**Typical Performance Characteristics** Supply bypass capacitor is 0.1 $\mu$ F and filter capacitor is 0.1 $\mu$ F. (Continued)

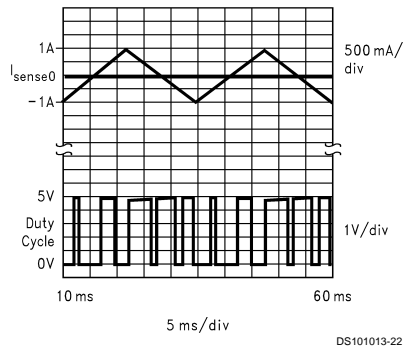
**Operating Current vs Temperature**



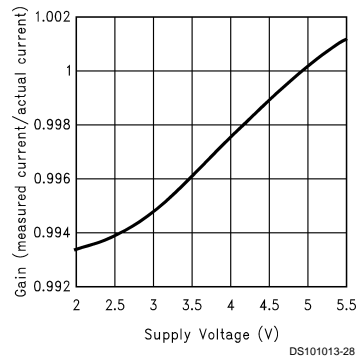
**Shutdown Current vs Temperature**



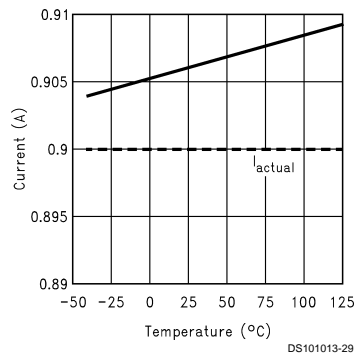
**Current vs Duty Cycle**



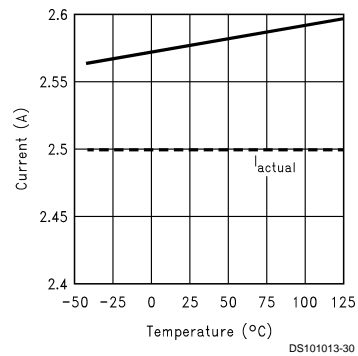
**Accuracy vs Supply Voltage**



**Accuracy vs Temperature (LM3814-1.0 and LM3815-1.0)**

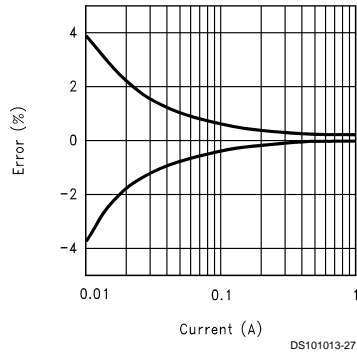


**Accuracy vs Temperature (LM3814-7.0 and LM3815-7.0)**

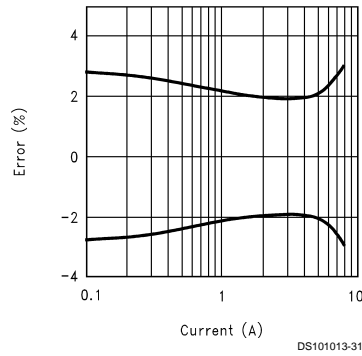


**Typical Performance Characteristics** Supply bypass capacitor is  $0.1\mu\text{F}$  and filter capacitor is  $0.1\mu\text{F}$ . (Continued)

**Error vs Current (LM3814-1.0 and LM3815-1.0)**  
(Note 10)

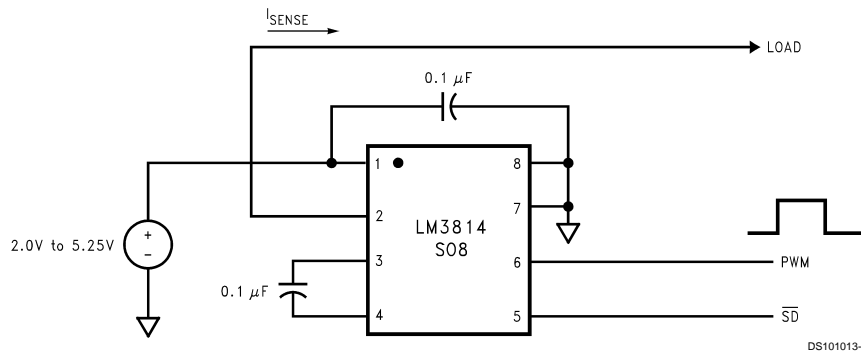


**Error vs Current (LM3814-7.0 and LM3815-7.0)**  
(Note 10)

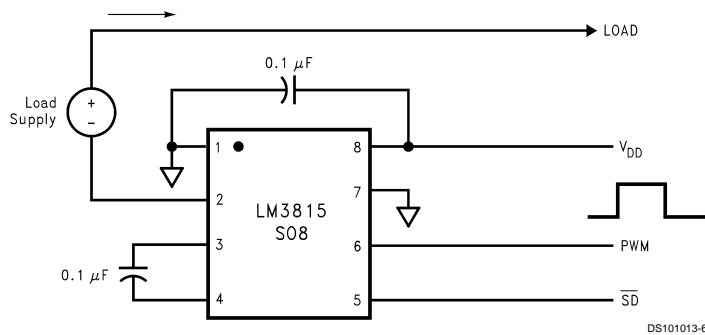


**Note 10:** These curves represent a statistical average such that the noise is insignificant.

**Typical Application Circuits** In the application circuits, the  $0.1\mu\text{F}$  ceramic capacitor between pins 1 and 8 is used for bypassing, and the  $0.1\mu\text{F}$  ceramic capacitor between pins 3 and 4 is used for filtering. Shutdown ( $\overline{\text{SD}}$ ) is tied to  $V_{\text{DD}}$  through a  $10\text{k}\Omega$  resistor.

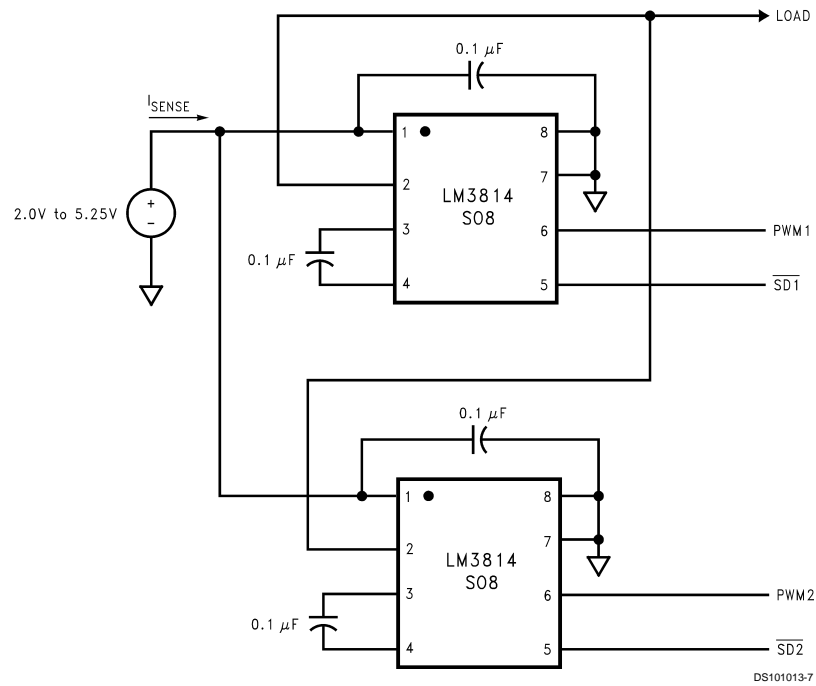


**FIGURE 1. High Side Sense**

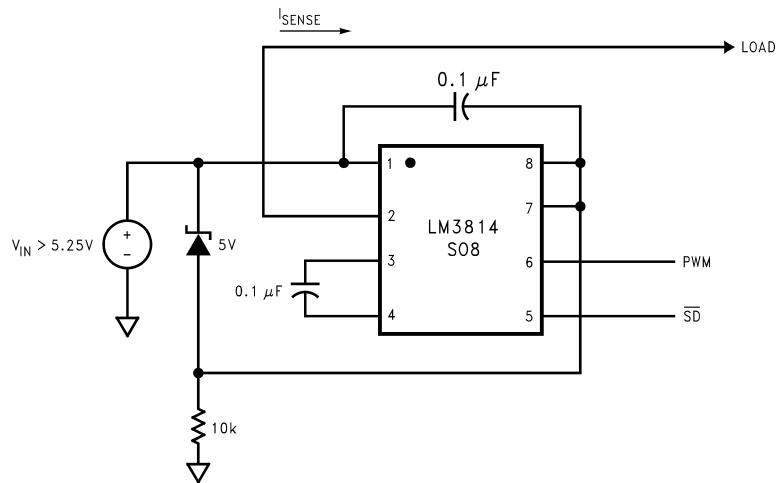


**FIGURE 2. Low Side Sense**

**Typical Application Circuits** In the application circuits, the 0.1µF ceramic capacitor between pins 1 and 8 is used for bypassing, and the 0.1µF ceramic capacitor between pins 3 and 4 is used for filtering. Shutdown ( $\overline{SD}$ ) is tied to  $V_{DD}$  through a 10kΩ resistor. (Continued)



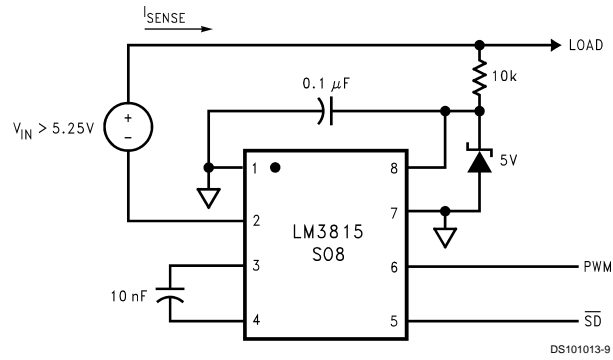
**FIGURE 3. Paralleling LM3814 for Higher Load Current**  
 $I_{TOTAL} = 2.2(D_1 - 0.5)I_{MAX} + 2.2(D_2 - 0.5)I_{MAX}$   
 where  $D_1$  is the duty cycle of PWM1 and  $D_2$  is the duty cycle of PWM2.  
 Please refer to the Product Operation section for more information.



**FIGURE 4. High Voltage Operation —  $V_{IN}$  Greater Than 5.25V (High Side Sense)**  
 (PWM output is referred to Pin 7)



**Typical Application Circuits** In the application circuits, the 0.1 $\mu$ F ceramic capacitor between pins 1 and 8 is used for bypassing, and the 0.1 $\mu$ F ceramic capacitor between pins 3 and 4 is used for filtering. Shutdown ( $\overline{SD}$ ) is tied to  $V_{DD}$  through a 10k $\Omega$  resistor. (Continued)



**FIGURE 5. High Voltage Operation —  $V_{IN}$  Greater Than 5.25V (Low Side Sense)**

DS101013-9

## Product Operation

The current is sampled by the delta-sigma modulator, as illustrated in *Figure 6*. The pulse density output of the delta-sigma modulator is digitally filtered. The digital output is then compared to the output of a digital ramp generator. This produces a PWM output. The duty cycle of the PWM output is proportional to the amount of current flowing. A duty cycle of 50% indicates zero current flow. If the current is flowing in positive direction, the duty cycle will be greater than 50%. Conversely, the duty cycle will be less than 50% for currents flowing in the negative direction. A duty cycle of 95.5% (4.5%) indicates the current is at  $I_{MAX}$  ( $-I_{MAX}$ ). The IC can sense currents from  $-I_{MAX}$  to  $+I_{MAX}$ . Options for  $I_{MAX}$  are 1A or 10A. The sense current is given by:

$$I_{SENSE} = 2.2 (D - 0.5) (I_{MAX})$$

where D is the duty cycle of the PWM waveform, and  $I_{MAX}$  is the full scale current (1A or 10A). Similarly, the duty cycle is given by:

$$D = [I_{SENSE} / (2.2 I_{MAX})] + 0.5$$

For quick reference, see the Conversion Tables in *Table 1* and *Table 2*.

**The user should note that, while the LM3814-7.0/ LM3815-7.0 will read 10A full scale, it is rated for 10A operation for a duration of no more than 200 msec, and 7A operation continuously.**

In this IC, the current is averaged over 6 msec time slots. Hence, momentary current surges of less than 6 msec are tolerated.

This is a sampled data system which requires an anti-aliasing filter, provided by the filter capacitor.

The delta-sigma modulator converts the sensed current to the digital domain. This allows digital filtering, and provides immunity to current and noise spikes. This type of filtering would be difficult or impossible to accomplish on an IC with analog components.

When ordering, the user has to specify whether the part is being used for low-side or high-side sense. The user also needs to specify the full scale value. See the Ordering Information table for details.

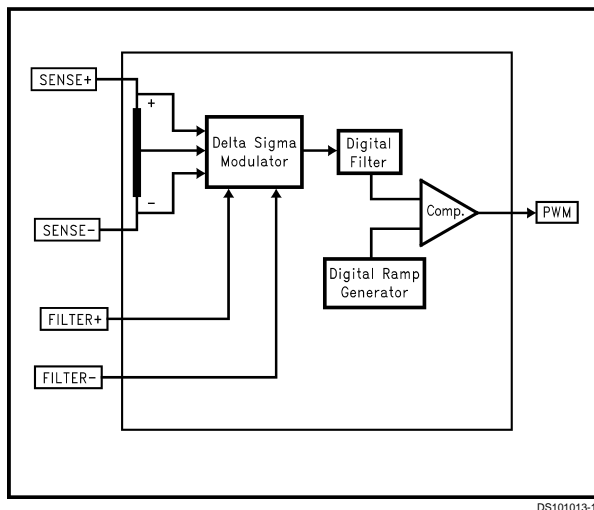


FIGURE 6. Functional block diagram of LM3814 and LM3815

## PWM Output and Current Accuracy

### Offset

The PWM output is quantized to 128 levels. Therefore, the duty cycle can change only in increments of 1/128.

There is a one-half (0.5) quantization cycle delay in the output of the PWM circuitry. That is to say that instead of a duty cycle of  $N/128$ , the duty cycle actually is  $(N+1/2)/128$ .

The quantization error can be corrected for if a more precise result is desired. To correct for this error, simply subtract 1/256 from the measured duty cycle.

The extra half cycle delay will show up as a DC offset of  $1/2$  bit if it is not corrected for. An offset of  $1/2$  bit is 8 times larger than for precision mode parts, and results in approximately 8.8 mA for a 1 Amp part is 88 mA for a 7 Amp part.

### Jitter

In addition to quantization, the duty cycle will contain some jitter. The jitter is quite small (for example, the standard deviation of jitter is only 0.1% for the LM3814/15-1.0). Statistically the jitter can cause an error in a current sample. Because the jitter is a random variable, the mean and standard deviation are used. The mean, or average value, of the jitter is zero. The standard deviation (0.1%) can be used to define the peak error caused from jitter.

The 'crest factor' has often been used to define the maximum error caused by jitter. The crest factor defines a limit within which 99.7% of the samples fall. The crest factor is defined as  $\pm 0.3\%$  error in the duty cycle.

Since the jitter is a random variable, averaging multiple outputs will reduce the effective jitter. Obeying statistical laws, the jitter is reduced by the square root of the number of readings that are averaged. For example, if four readings of the duty cycle are averaged, the resulting jitter (and crest factor) are reduced by a factor of two.

### Jitter and Noise

Jitter in the PWM output appears as noise in the current measurement. The Electrical Characteristics show noise measured in current RMS (root mean square). Arbitrarily one could specify PWM jitter, as opposed to noise. In either case the effect results in a random error in an individual current measurement.

Noise, just like jitter, can be reduced by averaging many readings. The RMS value of the noise corresponds to one standard deviation. The 'crest factor' can be calculated in terms of current, and is equal to  $\pm 3$  sigma (RMS value of the noise).

Noise will also be reduced by averaging multiple readings, and follows the statistical laws of a random variable.

### Accuracy of 7A Versions

The graph of *Figure 7* shows two possible responses to a 7A current step. The flat response shows basically a 7A level with some noise. This is what is possible with a good thick trace and a good thermal connection to the IC on the sense pins.

The second trace that asymptotically approaches a higher value shows what can happen under extremely poor thermal conditions. Here a very small wire connects the IC to the current source. The very small wire does not allow heat in the sense resistor to dissipate. Hence, as the sense resistor heats up, a temperature difference between the sense ele-

ment and the die gets larger, and an error develops. Eventually the temperature difference reaches steady state, which accounts for the under-damped exponential response.

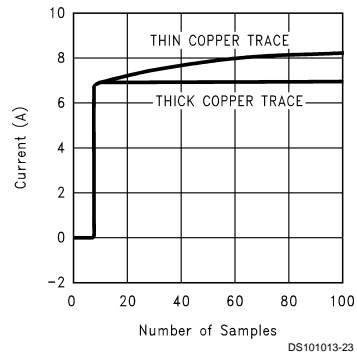


FIGURE 7. Transient Response to 7 Amp Step Current

### Accuracy Versus Noise

The graph shown in *Figure 8* illustrates the typical response of  $\pm 1$  Ampere current gauges. In this graph, the horizontal axis indicates time, and the vertical axis indicates measured current (the PWM duty cycle has been converted to current). The graph was generated for an actual current of 500 mA.

The difference between successive readings manifests itself as jitter in the PWM output or noise in the current measurement (when duty cycle of the PWM output is converted to current).

The accuracy of the measurement depends on the noise in the current waveform. The accuracy can be improved by averaging several outputs. Although there is variation in successive readings, a very accurate measurement can be obtained by averaging the readings. For example, on averaging the readings shown in this example, the average current measurement is 497.5 mA (*Figure 8*). This value is very close to the actual value of 500 mA. Moreover, the accuracy depends on the number of readings that are averaged.

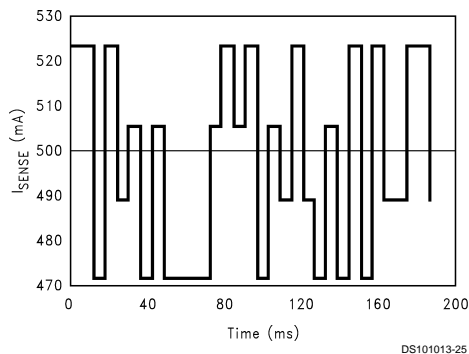


FIGURE 8. Typical Response of LM3814-1.0/LM3815-1.0

## Look-Up Tables

The following tables show how to convert the duty cycle of the PWM output to a current value, and vice versa. The

quantization error of 1/2 bit is not shown in these tables. Please see the 'PWM Output and Current Accuracy' section for more details.

**TABLE 1. Current to Duty Cycle Conversion Table**

Sense Current (Amps)*	Duty Cycle (%)		Sense Current (Amps)*	Duty Cycle (%)
1.00	95.5		-1.00	4.5
0.95	93.2		-0.95	6.8
0.90	90.9		-0.90	9.1
0.85	88.6		-0.85	11.4
0.80	86.4		-0.80	13.6
0.75	84.1		-0.75	15.9
0.70	81.8		-0.70	18.2
0.65	79.5		-0.65	20.5
0.60	77.3		-0.60	22.7
0.55	75.0		-0.55	25.0
0.50	72.7		-0.50	27.3
0.45	70.5		-0.45	29.5
0.40	68.2		-0.40	31.8
0.35	65.9		-0.35	34.1
0.30	63.6		-0.30	36.4
0.25	61.4		-0.25	38.6
0.20	59.1		-0.20	40.9
0.15	56.8		-0.15	43.2
0.10	54.5		-0.10	45.5
0.05	52.3		-0.05	47.7
0.00	50.0		-0.00	50.0

\*Maximum Sense Current = 1.0 Amps for LM3814-1.0 and LM3815-1.0  
The sense current should be multiplied by 10 for LM3814-7.0 and LM3815-7.0.

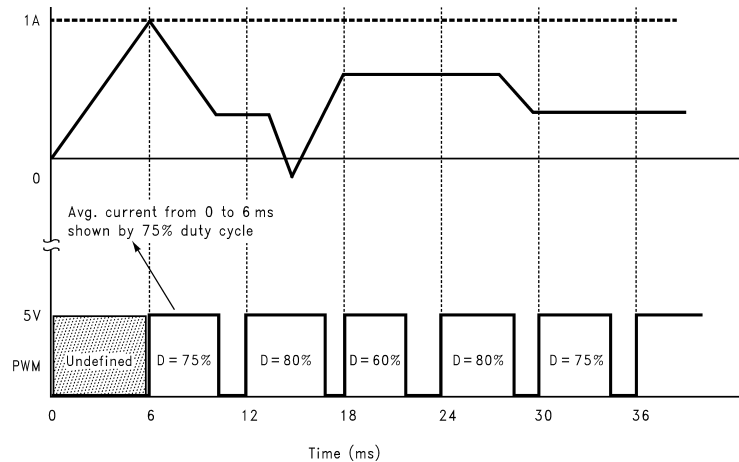
## Look-Up Tables (Continued)

TABLE 2. Duty Cycle to Current Conversion Table

Duty Cycle (%)	Sense Current (Amps)		Duty Cycle (%)	Sense Current (Amps)
95.5	0.990		50.0	-0.000
92.5	0.935		47.5	-0.055
90.0	0.880		45.0	-0.110
87.5	0.825		42.5	-0.165
85.0	0.770		40.0	-0.220
82.5	0.715		37.5	-0.275
80.0	0.660		35.0	-0.330
77.5	0.605		32.5	-0.385
75.0	0.550		30.0	-0.440
72.5	0.495		27.5	-0.495
70.0	0.440		25.0	-0.550
67.5	0.385		22.5	-0.605
65.0	0.330		20.0	-0.660
62.5	0.275		17.5	-0.715
60.0	0.220		15.0	-0.770
57.5	0.165		12.5	-0.825
55.0	0.110		10.0	-0.880
52.5	0.055		7.5	-0.935
50.0	0.000		5.0	-0.990

\*Maximum Sense Current = 1.0 Amps for LM3814-1.0 and LM3815-1.0.  
The sense current should be multiplied by 10 for LM3814-7.0 and LM3815-7.0.

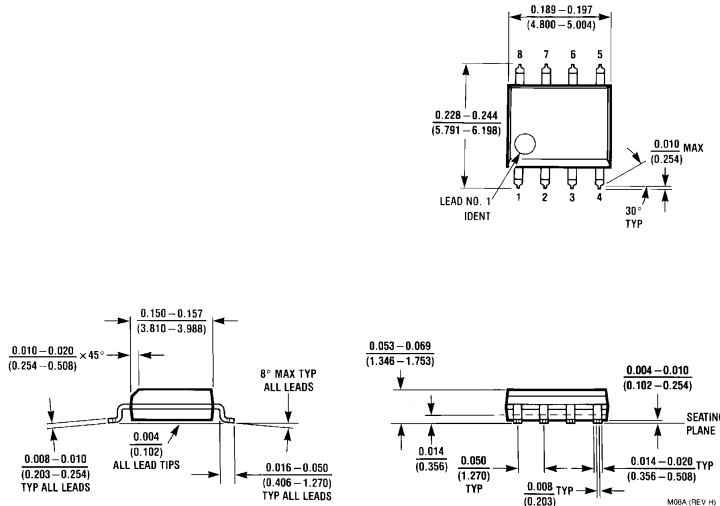
## Timing Diagram



Duty cycle of the PWM waveform during any sampling interval indicates the current magnitude (average) and direction during the previous sampling interval.

FIGURE 9. Typical Timing Diagram for Mostly Positive Current

**Physical Dimensions** inches (millimeters) unless otherwise noted



**8-lead (0.150" Wide) Molded Small Outline Package**  
 See Ordering Information table for Order Numbers  
 NS Package Number M08A

**LIFE SUPPORT POLICY**

NATIONAL'S PRODUCTS ARE NOT AUTHORIZED FOR USE AS CRITICAL COMPONENTS IN LIFE SUPPORT DEVICES OR SYSTEMS WITHOUT THE EXPRESS WRITTEN APPROVAL OF THE PRESIDENT AND GENERAL COUNSEL OF NATIONAL SEMICONDUCTOR CORPORATION. As used herein:

1. Life support devices or systems are devices or systems which, (a) are intended for surgical implant into the body, or (b) support or sustain life, and whose failure to perform when properly used in accordance with instructions for use provided in the labeling, can be reasonably expected to result in a significant injury to the user.
2. A critical component is any component of a life support device or system whose failure to perform can be reasonably expected to cause the failure of the life support device or system, or to affect its safety or effectiveness.



**National Semiconductor Corporation**  
 Americas  
 Tel: 1-800-272-9959  
 Fax: 1-800-737-7018  
 Email: support@nsc.com

**National Semiconductor Europe**  
 Fax: +49 (0) 1 80-530 85 86  
 Email: europe.support@nsc.com  
 Deutsch Tel: +49 (0) 1 80-530 85 85  
 English Tel: +49 (0) 1 80-532 78 32  
 Français Tel: +49 (0) 1 80-532 93 58  
 Italiano Tel: +49 (0) 1 80-534 16 80

**National Semiconductor Asia Pacific Customer Response Group**  
 Tel: 65-2544466  
 Fax: 65-2504466  
 Email: sea.support@nsc.com

**National Semiconductor Japan Ltd.**  
 Tel: 81-3-5639-7560  
 Fax: 81-3-5639-7507

www.national.com

National does not assume any responsibility for use of any circuitry described, no circuit patent licenses are implied and National reserves the right at any time without notice to change said circuitry and specifications.