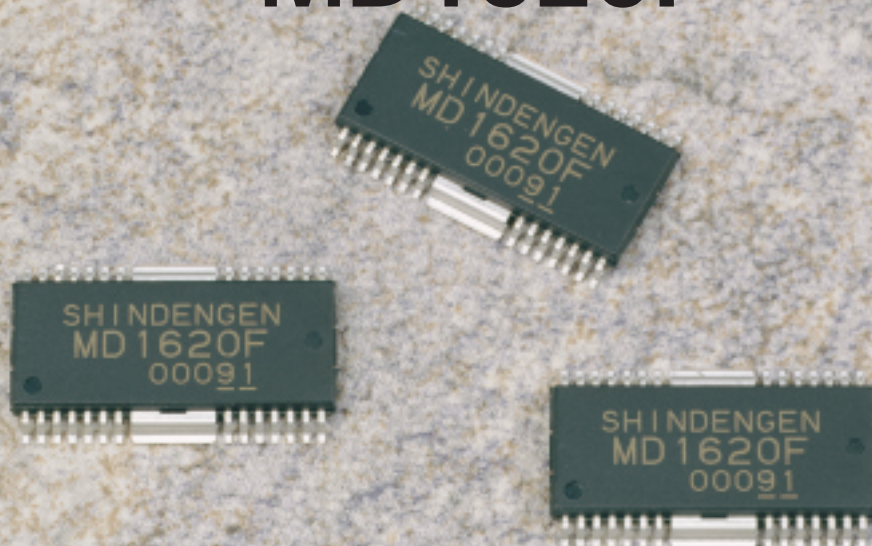




**NEW
PRODUCTS**

5V Stepping Down DC to DC Converter Power IC MD1620F



2A PWM Control Stepping Down Converter IC
It achieves High Output Power and High Efficiency
integrating high performance and high function in
Compact package

Summary

MD1620F is a non-isolated, PWM control stepping down DC-DC converter power IC including main MOSFET switch and free wheel SBD inside. It has maximum 10W (5V 2A) output power and high efficiency in wide range. It also has wide input voltage range (12-57V). Its package is compact surface mount type and it is possible to design DC to DC converter with fewer external components and smaller mounting area.

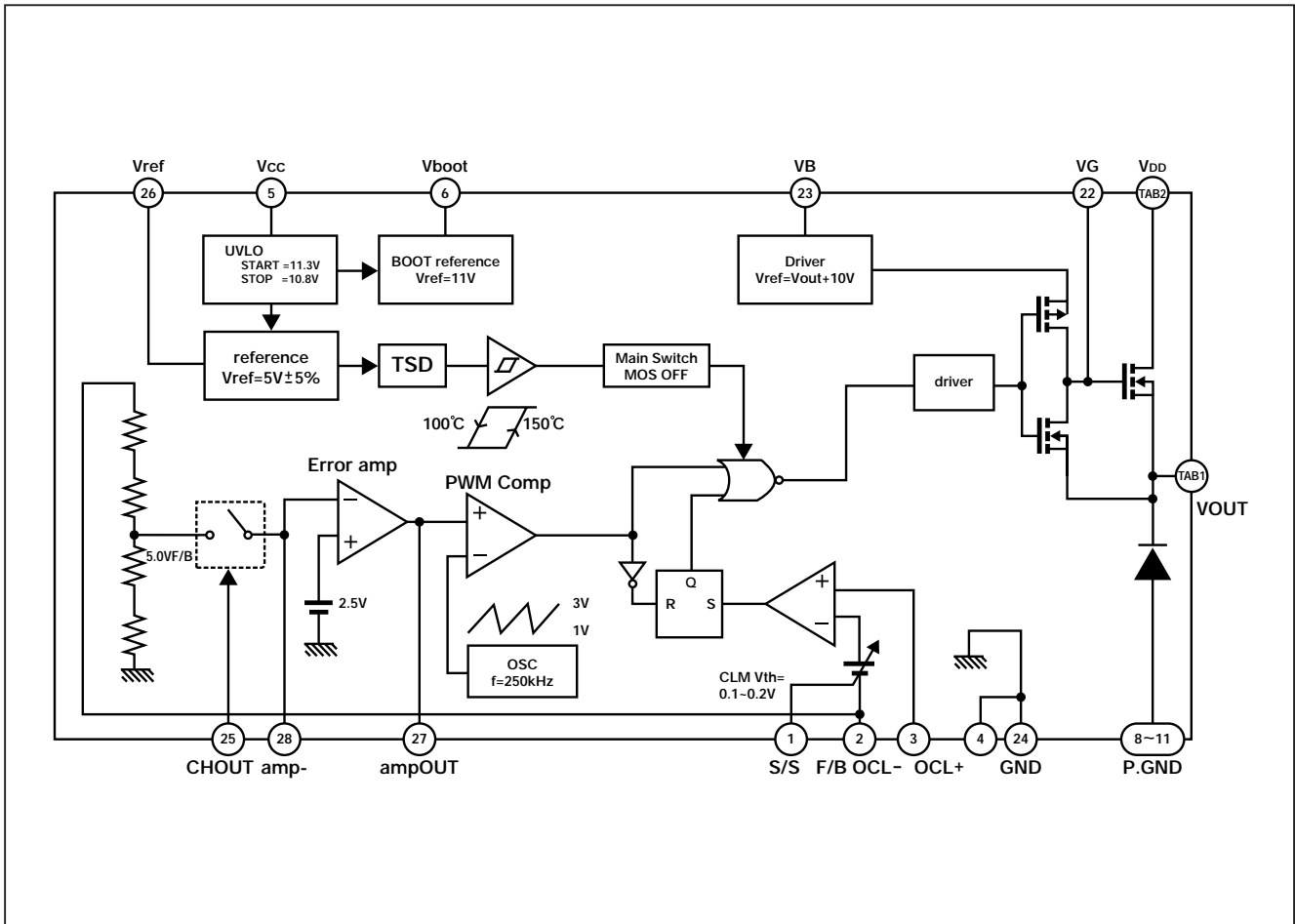
Feature

- Input Voltage Range 12-57V
- Maximum Output Current 2A
- Included main MOSFET switch and free wheel SBD
- Fixed Frequency 250kHz PWM Control
- Over Current Protection Function
- Low Input Voltage Protection Function (ULVO)
- Thermal Shut Down Function

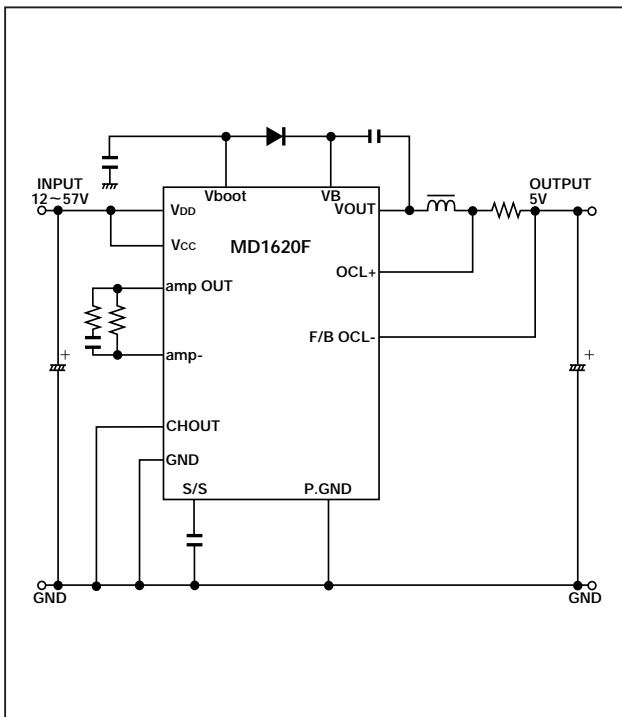
SHINDENGEN
ELECTRIC MFG. CO., LTD.

Recruit Ikebukuro Bldg., 13-23, 1-chome,
Minami Ikebukuro, Toshima-ku, Tokyo 171-0022,
Japan
Phone: Tokyo(03)5951-8106
Fax : (03)5951-8089

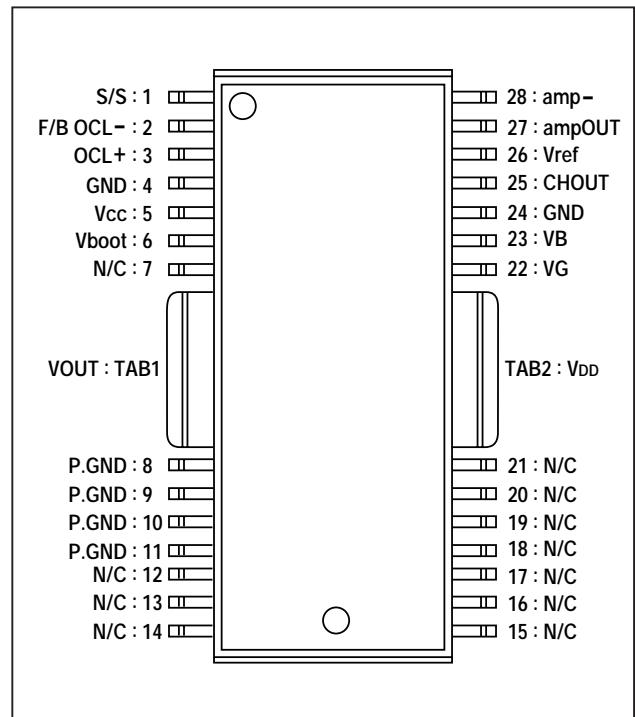
Block Diagram



Application Example



Pin Layout



■ Absolute Maximum Rating (Ta=25°C)

Item	Symbol	Rating	Unit
Power Supply Voltage	V _{IN}	60	V
Output MOS Input Voltage	V _{DD}	60	V
Output Current (A V E)	I _{OUTave}	2	A
Output Current (P E A K)	I _{OUTpeak}	3	A
Storage Temperature	T _{stg}	-40~150	°C
Junction Temperature	T _j	150	°C

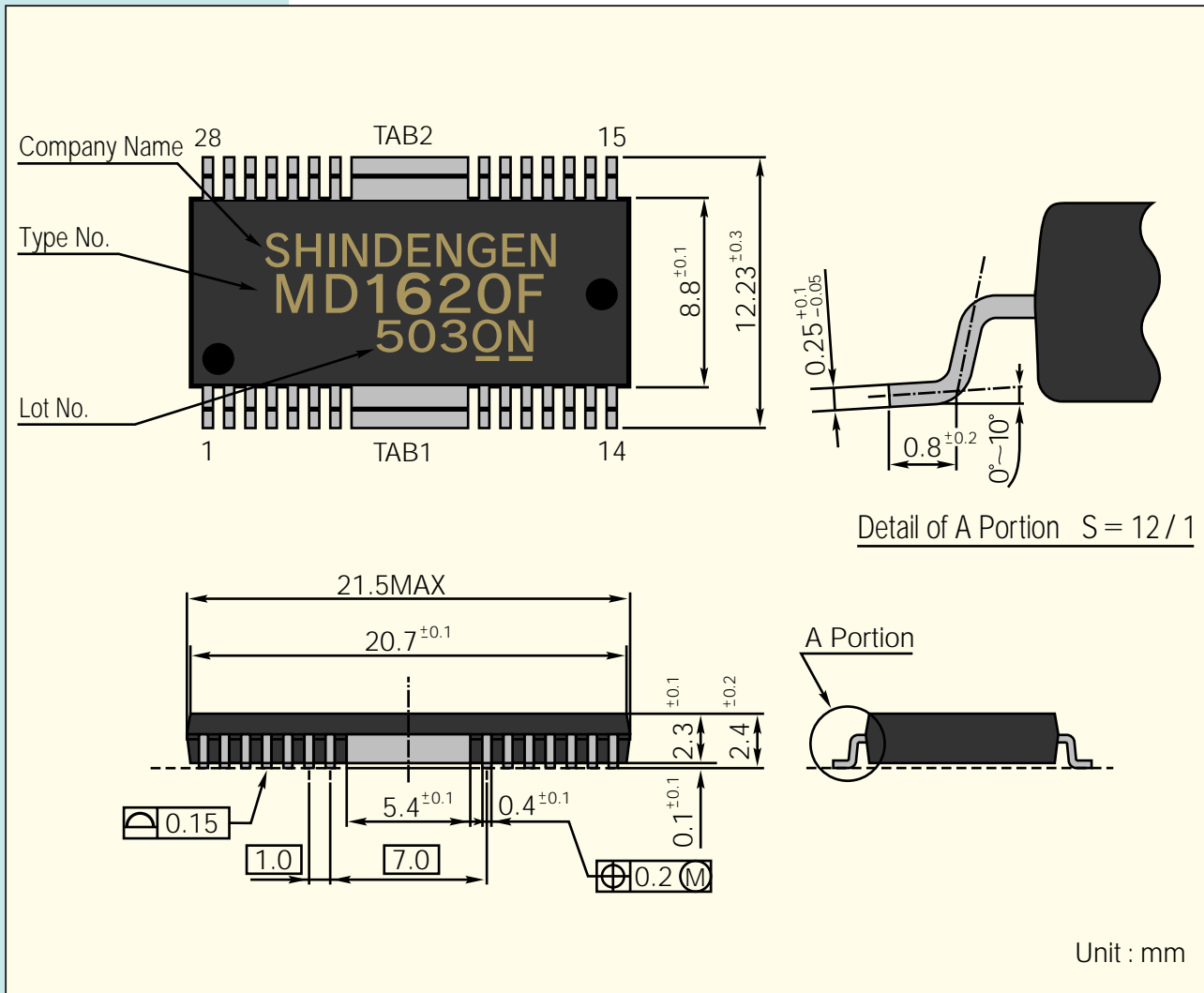
■ Electrical Characteristics (Ta=25°C)

Item	Symbol	Condition	MIN	TYP	MAX	Unit
HighsideMOS Drain-Source Voltage	V _{dss}	I _D =1mA, V _{GS} =0V	60	—	—	V
HighsideMOS Zero Gate Voltage Drain Current	I _{dss}	V _{DS} =60V, V _{GS} =0V	—	—	10	μA
HighsideMOS Static Drain-Source On-state Resistance	R _{on}	I _D =1.2A, V _{GS} =4V	—	270	550	mΩ
HighsideMOS Source-Drain Diode Forward Voltage	V _{SD}	I _S =1.2A, V _{DS} =0V	—	—	1.5	V
LowSideSBD Maximum Reverse Voltage	V _{RM}	—	60	—	—	V
LowSideSBD Forward Voltage	V _F	I _F =1.2A	—	—	0.58	V
LowSideSBD Reverse Current	I _R	V _R =V _{RM}	—	—	2.5	mA
Start up Voltage	V _{cc_start}	—	10.5	11.25	11.9	V
Stopping Voltage	V _{cc_stop}	—	10	10.75	11.5	V
Start - Stop Hysteresis	V _{cc_hys}	—	—	0.5	—	V
Current Consumption (In Operation)	I _{cc}	V _{cc} =12~57V	—	11	13	mA
BOOT terminal voltage	V _{boot}	V _{cc} =12~57V	10	11	12.5	V
Internal voltage reference	V _{ref}	V _{cc} =12~57V	4.75	5	5.25	V
Internal oscillation frequency	f _{osc}	V _{cc} =48V	212.5	250	287.5	kHz
Over current threshold vol	V _{th_OCL}	V _{cc} =48V	0.162	0.19	0.218	V
SoftStart terminal current	I _{s/s}	V _{cc} =48V	-20	-12.5	-5	μA
Thermal Shut Down Operation Temp	T _{TSD}	—	—	150	—	°C

■ Recommended Operation Conditions

Item	Recommerded Value	Unit
Input Voltage	12~57	V
Operation Temp	-10~80	°C

Outline Dimensions



■ The level of quality of our products shown in this catalog is intended for use in standard applications requiring ordinary reliability. In the case these products are to be used in equipment or devices for special or specific applications requiring extremely high levels of quality and reliability in which failure or malfunction of a product may directly affect human life or health, always make sure to obtain confirmation by contacting our firm in advance. The quality levels of our products are classified in the manner shown below.

Standard Applications

Computers, OA and other office equipment, communication terminal equipment, measuring instruments, AV equipment, amusement equipment, home appliances, machine tools, personal equipment, industrial robots, etc.

Special Applications

Transportation equipment (automotive, marine, etc.), trunk line communication equipment, traffic signal equipment, fire prevention/anti-theft equipment, various safety devices, health care equipment, etc.

Specific Applications

Nuclear power control systems, aeronautical equipment, aerospace equipment, submarine relay equipment, devices and systems for preserving life, etc.

■ Although efforts are constantly made to improve quality and reliability, please select a product after careful examination so that personal injury, accidents and social damage can be prevented as a result of deploying measures such as a redundant design, designs that prevent the spreading of fire, designs that prevent malfunctions and so forth while taking safety into consideration as necessary.

* All specifications are subject to change without notice.



SHINDENGEN ELECTRIC MFG. CO., LTD.

RECRUIT Ikebukuro Bldg., 13-23, 1-chome Minami-Ikebukuro, Toshima-ku, Tokyo 171-0022 Japan

Phone : 03-5951-8106

Facsimile : 03-5951-8090