

FEATURES

- *Guaranteed* Maximum 0.5mV Input Offset Voltage
- Input Protection Diodes
- Operates From Single 5V Supply
- 25mA Drive Capability
- 80ns Response Time

APPLICATIONS

- Window Detectors
- High Speed One Shot
- Relay/Lamp Drivers
- Voltage Controlled Oscillators

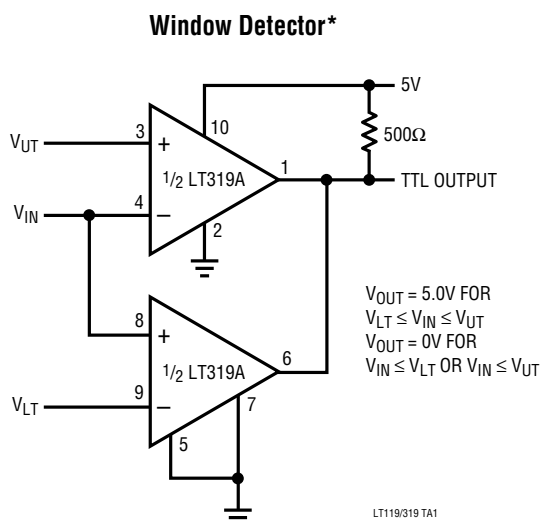
DESCRIPTION

The LT119A is an improved version of the LM119 dual comparator. It features lower input offset voltage and offset current, higher voltage gain, guaranteed common mode rejection, and input protection diodes.

The LT119A is capable of operation over a supply range from 5V to ± 15 V and can drive 25mA loads from each open collector output. A separate ground pin allows the LT119A to isolate system grounds.

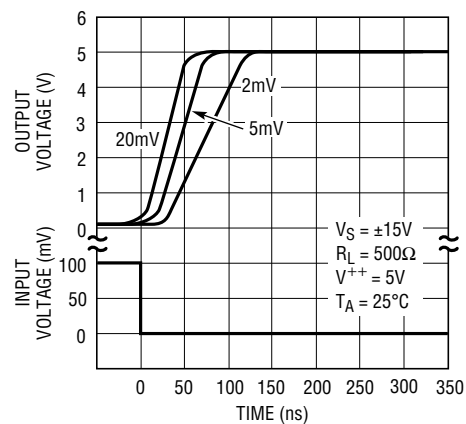
Linear Technology Corporation's advanced processing, design techniques and reliability make the LT119A/LT319A an ideal choice over previous devices in most comparator applications.

TYPICAL APPLICATION



*ALLOWED WINDOW FOR SINGLE +5V SUPPLY IS 1.2V TO 3.8V

Response Time for Various Input Overdrives



LT119A/LT319A LM119/LM319

ABSOLUTE MAXIMUM RATINGS

Supply Voltage	36V
Output to Negative Supply Voltage	36V
Ground to Negative Supply Voltage	25V
Ground to Positive Supply Voltage	18V
Differential Input Voltage (Note 5)	±5V
Differential Input Current (Note 5)	±5mA
Input Voltage (Note 1)	
Output Short-Circuit Duration	10s
Operating Temperature Range	
LT119A, LM119	−55°C to 125°C
LT319A, LM319	0°C to 70°C
Storage Temperature Range	−65°C to 150°C
Lead Temperature (Soldering, 10 sec)	300°C

PACKAGE/ORDER INFORMATION

<p>TOP VIEW</p> <p>H PACKAGE 10-LEAD TO-5 METAL CAN</p> <p>$T_{JMAX} = 150^{\circ}\text{C}$, $\theta_{JA} = 150^{\circ}\text{C/W}$, $\theta_{JC} = 45^{\circ}\text{C/W}$</p>	<p>ORDER PART NUMBER</p> <p>LT119AH LM119H LT319AH LM319H</p>
<p>TOP VIEW</p> <p>J PACKAGE N PACKAGE 14-LEAD CERAMIC DIP 14-LEAD PLASTIC DIP</p> <p>$T_{JMAX} = 150^{\circ}\text{C}$, $\theta_{JA} = 100^{\circ}\text{C/W}$ (J) $T_{JMAX} = 85^{\circ}\text{C}$, $\theta_{JA} = 100^{\circ}\text{C/W}$ (N)</p>	<p>LT119AJ LM119J LT319AJ LM319J LT319AN LM319N</p>

Consult factory for Industrial and Military grade parts.

ELECTRICAL CHARACTERISTICS (Note 2)

SYMBOL	PARAMETER	CONDITIONS	LT119A			LT119			UNITS	
			MIN	TYP	MAX	MIN	TYP	MAX		
V_{OS}	Input Offset Voltage	$V_S = \pm 15\text{V}$, $V_{CM} = 0$		0.3	0.5			4	mV	
V_{OS}	Input Offset Voltage	(Note 3)		0.5	1.0		0.7	4	mV	
			●	1.2	2.0			7	mV	
CMRR	Common-Mode Rejection Ratio		90	106					dB	
I_{OS}	Input Offset Current	(Note 3)		20	40		30	75	nA	
			●		75			100	nA	
I_B	Input Bias Current	(Note 3)		150	500		150	500	nA	
			●		1000			1000	nA	
A_V	Voltage Gain		20	40		10	40		V/mV	
	Response Time	(Note 4)		80			80		ns	
V_{SAT}	Saturation Voltage	$V_{IN} \leq -5\text{mV}$, $I_O = 25\text{mA}$ $V^+ \geq 4.5\text{V}$, $V^- = 0\text{V}$ $V_{IN} \leq -6\text{mA}$, $I_{SINK} \leq 3.2\text{mA}$ $T_A \geq 0^{\circ}\text{C}$ $T_A \leq 0^{\circ}\text{C}$		0.75	1.5		0.75	1.5	V	
				0.23	0.4		0.23	0.4	V	
					0.6			0.6	V	
	Output Leakage Current	$V_{IN} \geq 5\text{mV}$, $V_{OUT} = 35\text{V}$	●	0.2	2		0.2	2	μA	
				1	10		1	10	μA	
	Input Voltage Range	$V_S = \pm 15\text{V}$ $V^+ = 5\text{V}$, $V^- = 0\text{V}$	●	−12	±13	12	−12	±13	12	V
			●	1	3		1	3	V	

ELECTRICAL CHARACTERISTICS (Note 2)

SYMBOL	PARAMETER	CONDITIONS	LT119A			LT119			UNITS
			MIN	TYP	MAX	MIN	TYP	MAX	
	Differential Input Voltage				±5			±5	V
I_S	Supply Current	$V^+ = 5V, V^- = 0V$		4.3			4.3		mA
I_S	Positive Supply Current	$V_S = \pm 15V$		8	11.5		8	11.5	mA
I_S	Negative Supply Current	$V_S = \pm 15V$		3	4.5		3	4.5	mA
V_{OS}	Input Offset Voltage	$V_S = \pm 15V, V_{CM} = 0V$		0.3	0.5			8	mV
V_{OS}	Input Offset Voltage	$R_S \leq 5k$ (Note 3)	●	0.5	1		2	8	mV
					2			10	mV
CMRR	Common-Mode Rejection Ratio			90	106				dB
I_{OS}	Input Offset Current	(Note 3)		30	40		80	200	nA
			●		60			300	nA
I_B	Input Bias Current	(Note 3)		150	500		250	1000	nA
			●		1000			1200	nA
A_V	Voltage Gain			20	40		8	40	V/mV
	Response Time	(Note 4)			80			80	ns
V_{SAT}	Saturation Voltage	$V_{IN} \leq -10mV, I_{SINK} = 25mA$ $T_A = 25^\circ C$ $V^+ \geq 4.5V, V^- = 0V$ $V_{IN} \leq -10mV, I_{SINK} \leq 3.2mA$		0.75	1.5		0.75	1.5	V
			●	0.3	0.4		0.3	0.4	V
	Output Leakage Current	$V_{IN} \geq 10mV, V_{OUT} = 35V$		0.2	10		0.2	10	μA
	Input Voltage Range	$V_S = \pm 15V$ $V^+ = 5V, V^- = 0V$	●		±13			±13	V
			●	1			1		V
	Differential Input Voltage		●		±5			±5	V
I_S	Supply Current	$V^+ = 5V, V^- = 0V$		4.3			4.3		mA
I_S	Positive Supply Current	$V_S = \pm 15V$		8	12.5		8	12.5	mA
I_S	Negative Supply Current	$V_S = \pm 15V$		3	5		3	5	mA

The ● denotes specifications which apply over the full operating temperature range.

Note 1: For supply voltages less than ±15V, the maximum input voltage is equal to the supply voltage.

Note 2: Unless otherwise noted, supply voltage equals ±15V and $T_A = 25^\circ C$. The ground pin is grounded. Note that the maximum voltage allowed between the ground pin and V^+ is 18V. Do not tie the ground pin to V^- when the power supply voltage exceeds ±9V. The offset voltage, offset current and bias current specifications apply for all supply voltages between ±15V and 5V unless otherwise specified.

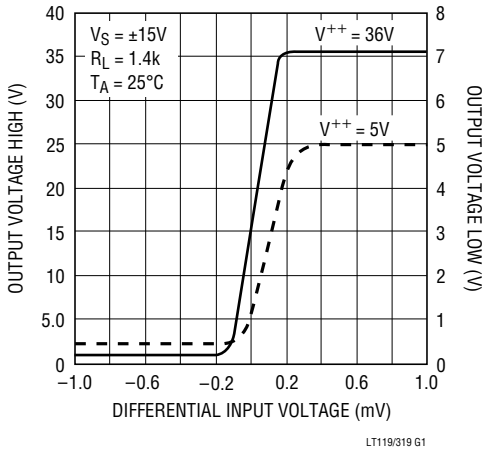
Note 3: The offset voltages and currents given are the maximum values required to drive the output within 1V of either supply with a 1mA load, thus these parameters define an error band and take into account the worst case effects of voltage gain and input impedance.

Note 4: Response time specified is for a 100mV input step with 5mV overdrive.

Note 5: Inputs are protected with back-to-back 5.6V zener diodes. This limits maximum differential input voltage to ±5V if current is unlimited. Larger differential input drive is allowed if input current is limited to ±5mA with external resistance.

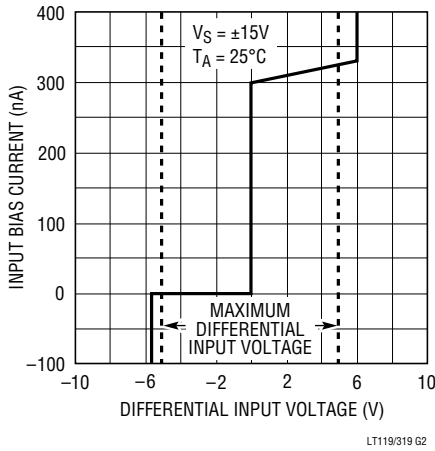
TYPICAL PERFORMANCE CHARACTERISTICS

Transfer Function



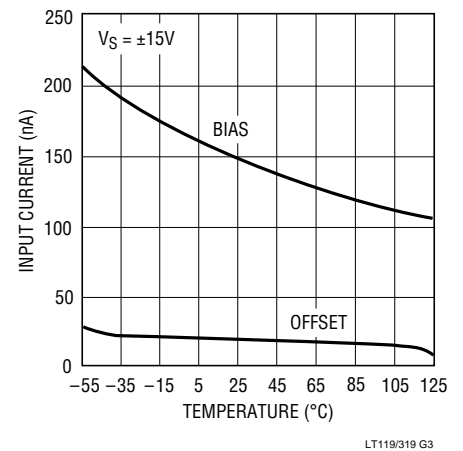
LT119/319 G1

Input Characteristics



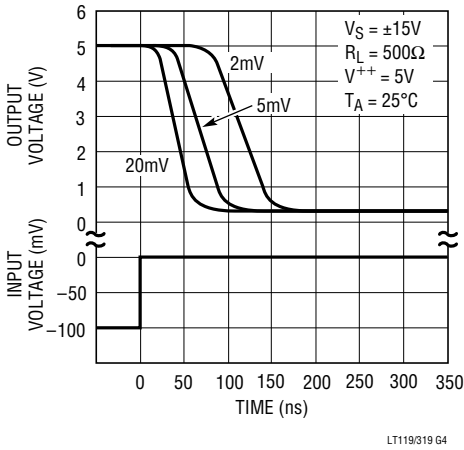
LT119/319 G2

Input Currents



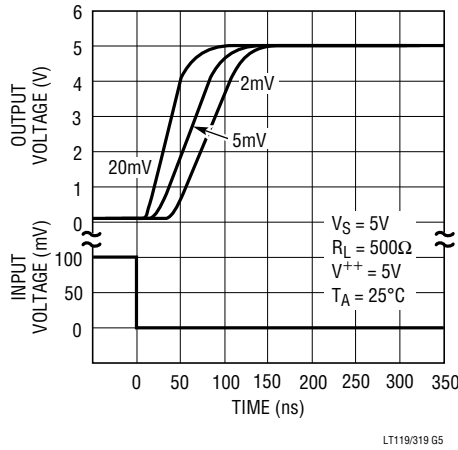
LT119/319 G3

Response Time for Various Input Overdrives



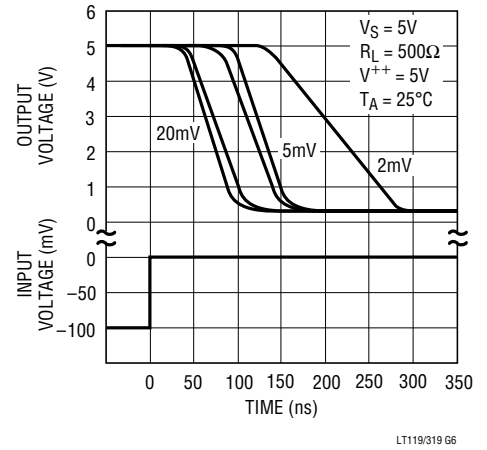
LT119/319 G4

Response Time for Various Input Overdrives



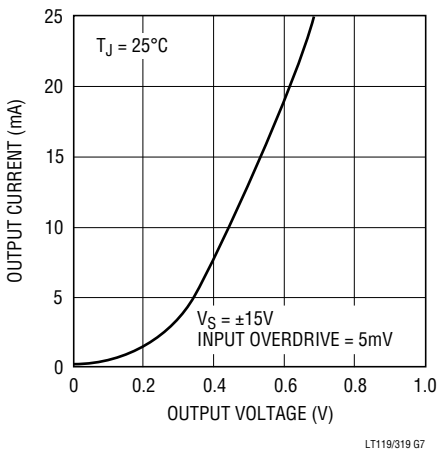
LT119/319 G5

Response Time for Various Input Overdrives



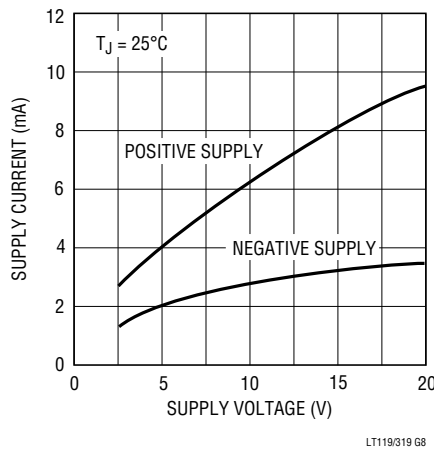
LT119/319 G6

Output Saturation Voltage



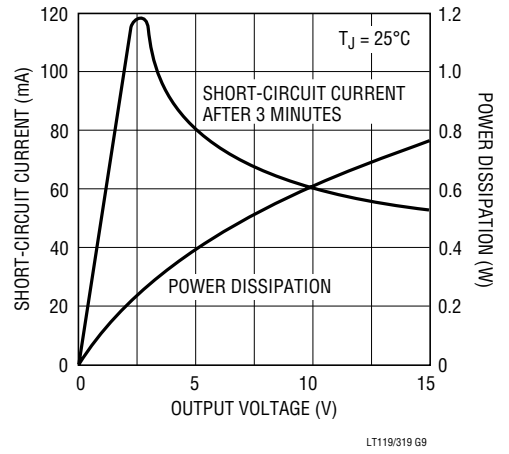
LT119/319 G7

Supply Current



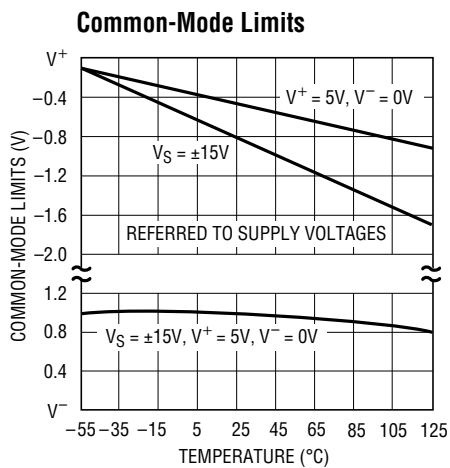
LT119/319 G8

Output Limiting Characteristics

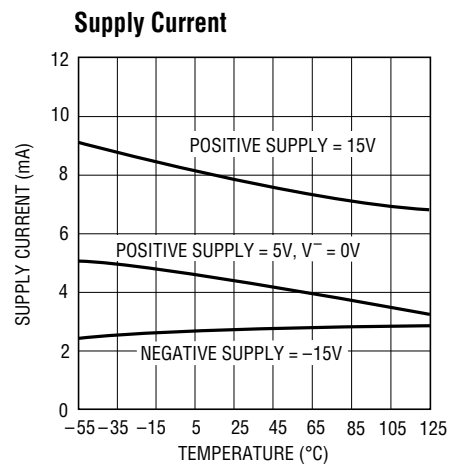


LT119/319 G9

TYPICAL PERFORMANCE CHARACTERISTICS



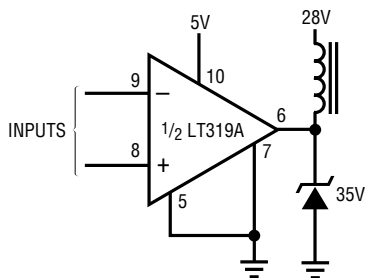
LT119/319 G10



LT119/319 G11

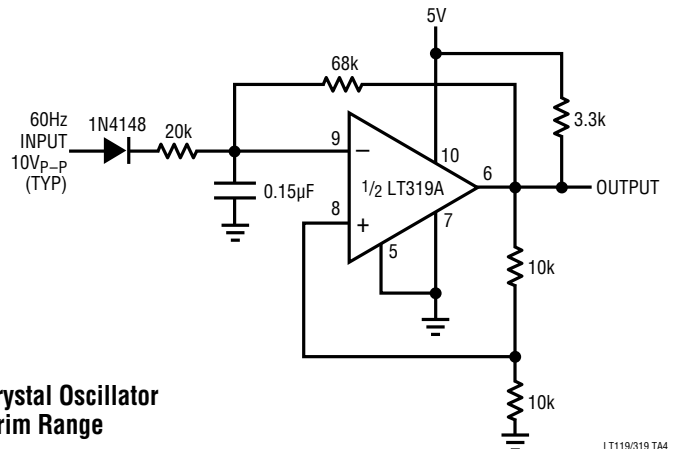
TYPICAL APPLICATIONS

Relay Driver



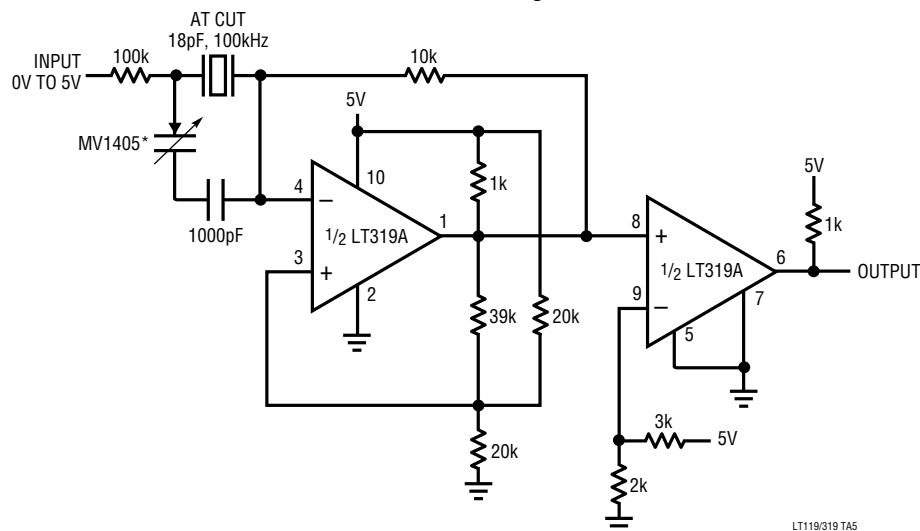
LT119/319 TA3

High Noise Immunity 60Hz Sync Circuit



LT119/319 TA4

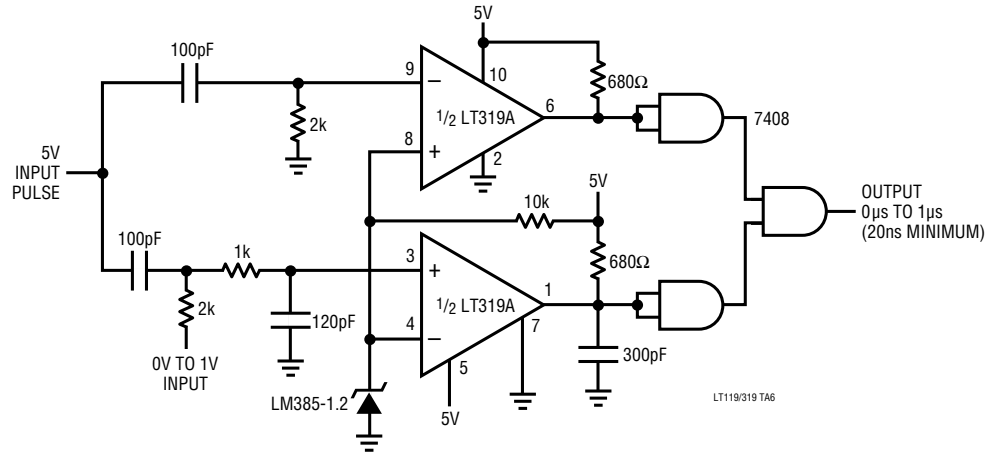
Voltage Controlled Crystal Oscillator With 100PPM Trim Range



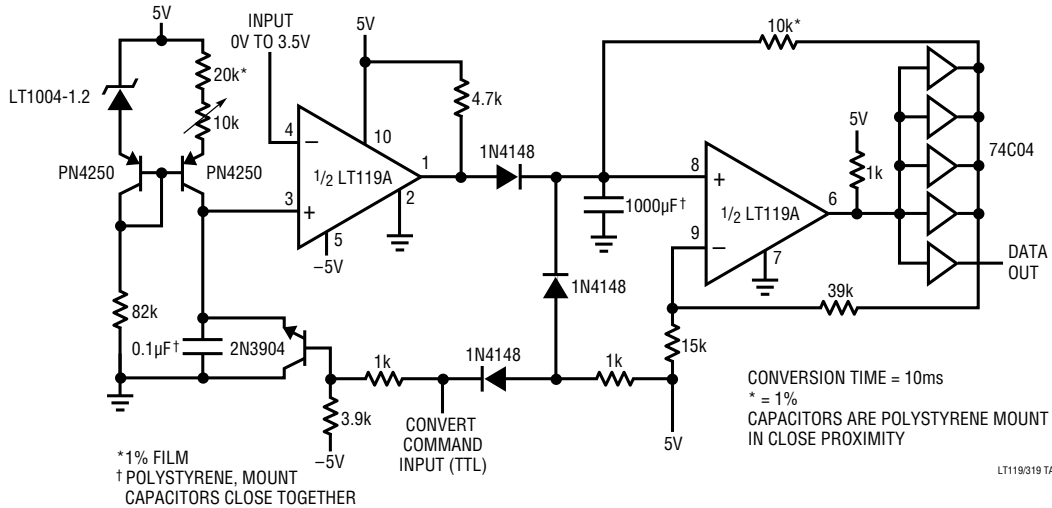
LT119/319 TA5

TYPICAL APPLICATIONS

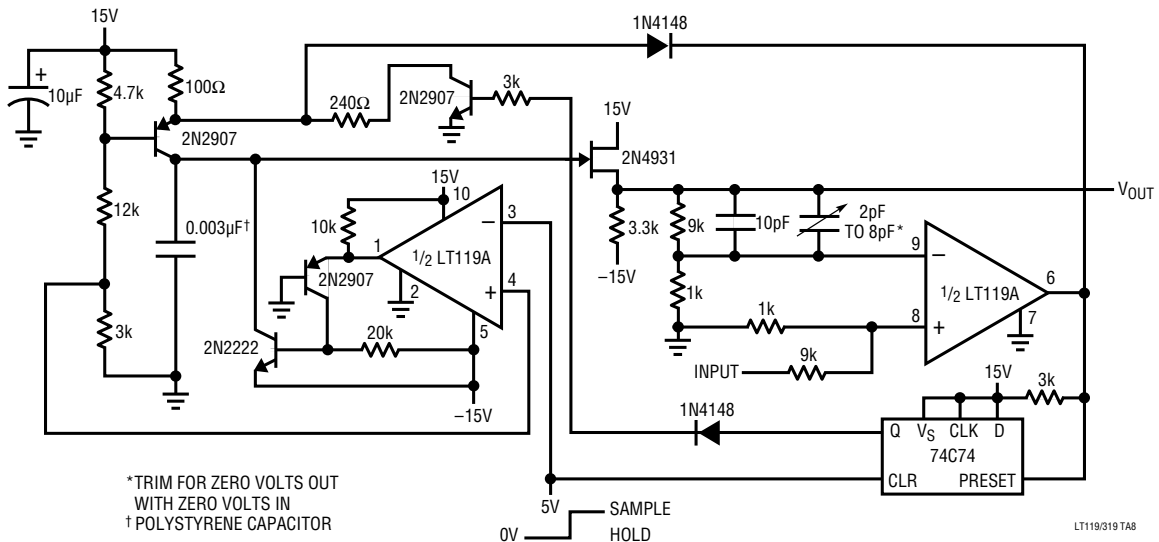
Voltage Controlled High Speed One Shot



10-Bit Serial Output A/D Converter

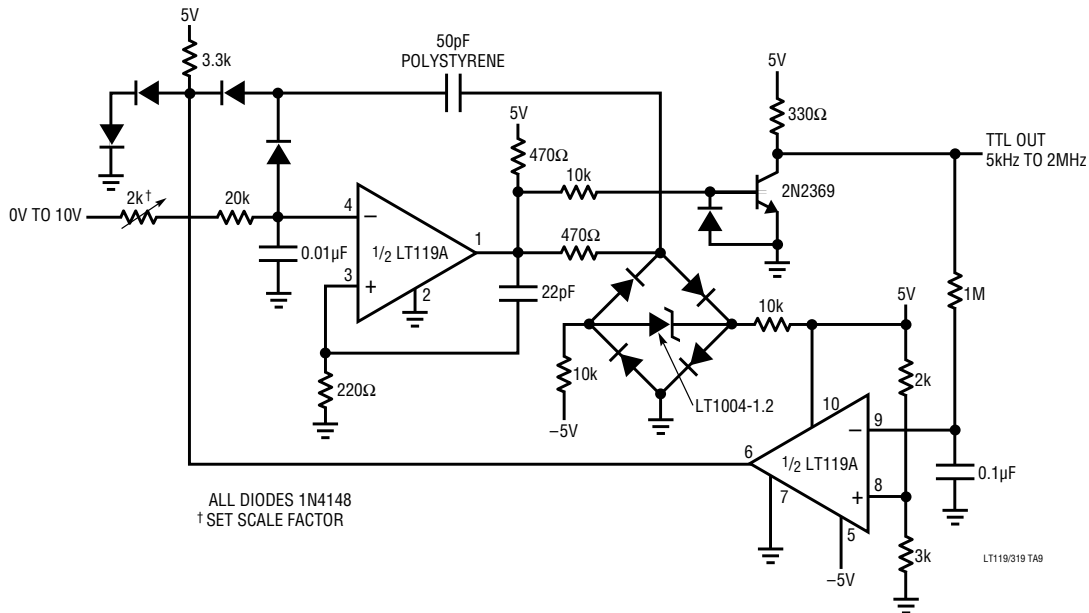


5 Microsecond Sample-and-Hold with Zero Hold Step

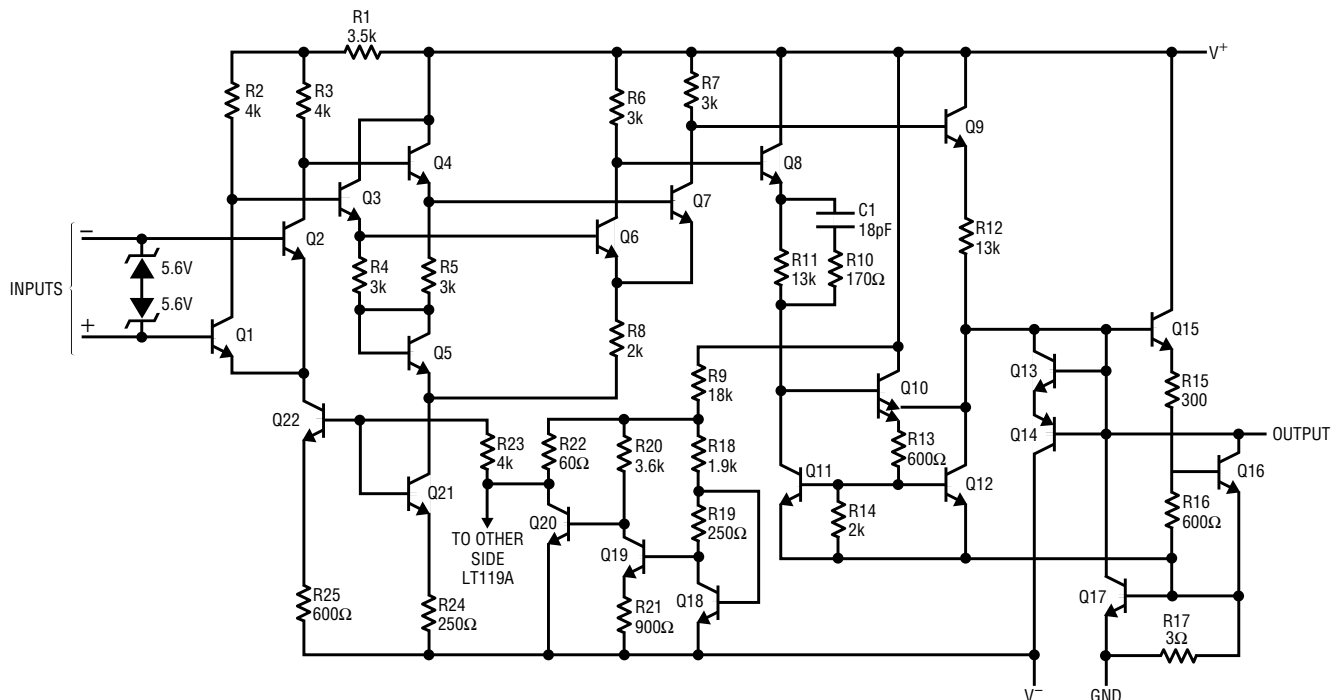


TYPICAL APPLICATIONS

5kHz to 2MHz V → F Converter



SCHEMATIC DIAGRAM

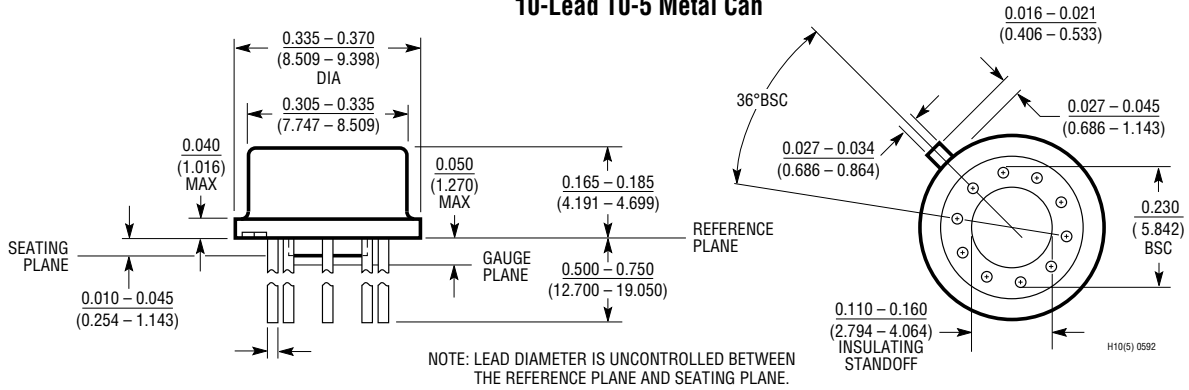


LT119A/LT319A LM119/LM319

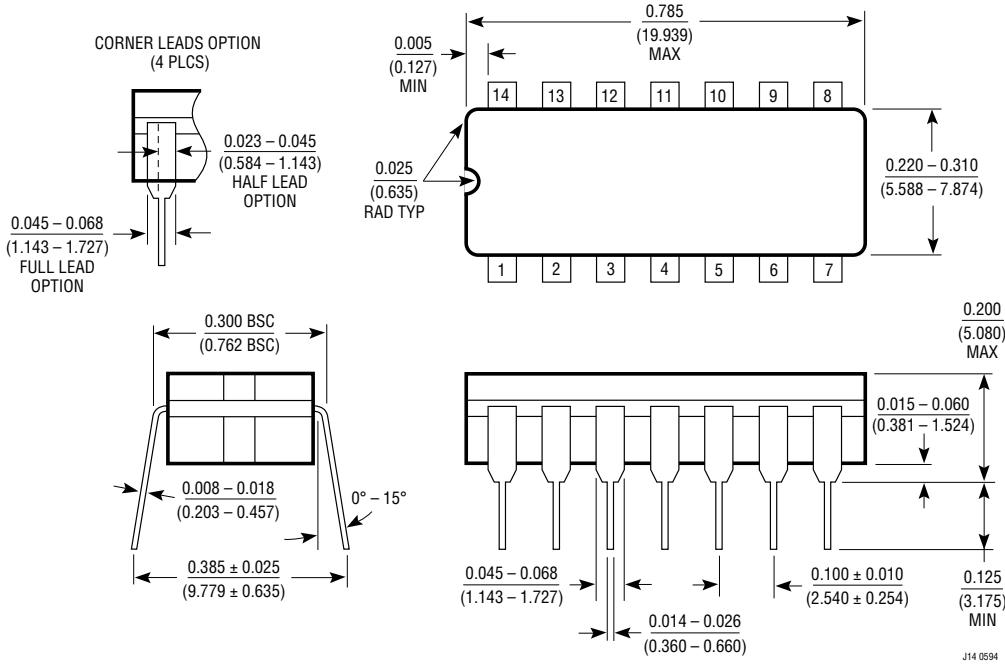
PACKAGE DESCRIPTION

Dimension in inches (millimeters) unless otherwise noted.

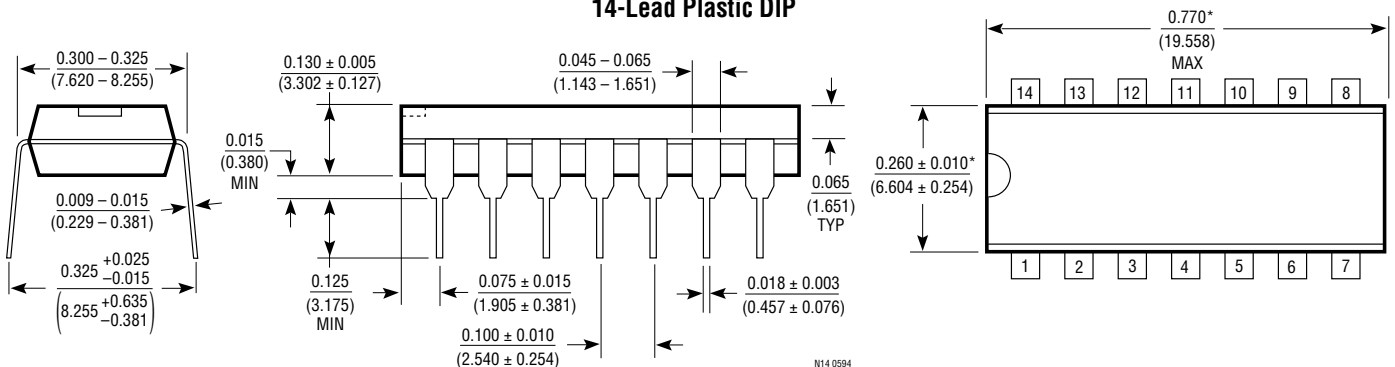
H Package 10-Lead TO-5 Metal Can



J Package 14-Lead Ceramic DIP



N Package 14-Lead Plastic DIP



*THESE DIMENSIONS DO NOT INCLUDE MOLD FLASH OR PROTRUSIONS. MOLD FLASH OR PROTRUSIONS SHALL NOT EXCEED 0.010 INCH (0.254mm).