



MJ1500

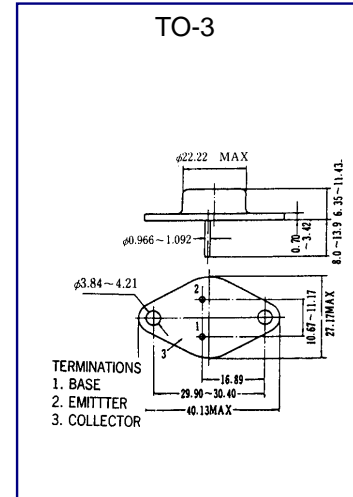
NPN PLANAR SILICON TRANSISTOR

AUDIO POWER AMPLIFIER DC TO DC CONVERTER

- High Current Capability
- High Power Dissipation
- Complementary to MJ15002

ABSOLUTE MAXIMUM RATING (Ta=25°C)

Characteristic	Symbol	Rating	Unit
Collector-Base Voltage	VCBO	140	V
Collector-Emitter Voltage	VCEO	140	V
Emitter-Base voltage	VEBO	5	V
Collector Current (DC)	IC	15	A
Collector Dissipation	PC	200	W
Junction Temperature	Tj	150	°C
Storage Temperature	Tstg	-50~150	°C



ELECTRICAL CHARACTERISTICS (Ta=25°C)

Characteristic	Symbol	Test Condition	Min	Typ	Max	Unit
Collector Base Breakdown Voltage	BVCBO	IC=10 mA IE=0	140			V
Collector Emitter Breakdown Voltage	BVCEO	IC=5 mA RBE=∞	140			V
Emitter Base Breakdown Voltage	BVEBO	IE=5 mA IC=0	5			V
Collector Cutoff Current	ICBO	VCE=70V IE=0			0.1	mA
Emitter Cutoff Current	IEBO	VEB=4V IC=0			0.1	mA
*DC Current Gain	hFE1	VCE=5V IC=1A			150	
DC Current Gain	hFE2	VCE=5V IC=4A	30			
Collector- Emitter Saturation Voltage	VCE(sat)	IC=4A IB=0.4A	25		1.0	V

Wing Shing Computer Components Co., (H.K.)Ltd.
Homepage: <http://www.wingshing.com>

Tel:(852)2341 9276 Fax:(852)2797 8153
E-mail: wsccltd@hkstar.com