

METAL HALIDE LAMP L6002

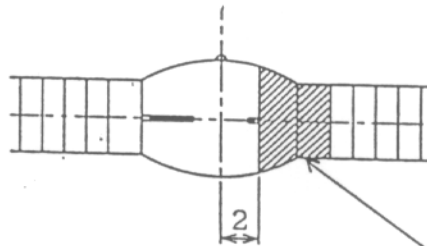
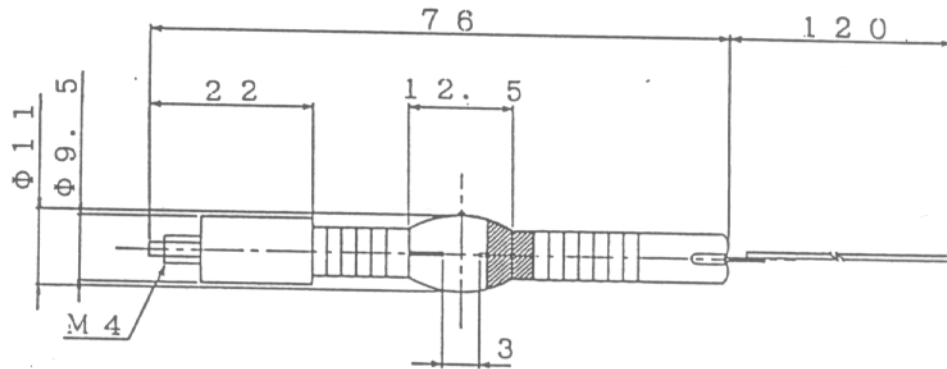
1994.6.8.

● SPECIFICATIONS

Lamp Power	150W
Lamp Voltage	56Vac
Lamp Current	2.7Aac
Luminous Flux	10,500lm
Luminous Efficiency	70lm/W
Color Temperature	6,500K
Color Rendering	75Min.
Average Life	1,000Hours

● DIMENSIONAL OUTLINE

Total Length	76mm
Arc Gap	3mm
Terminal	M4Screw & Lead
Bulb Diameter	Φ11mm
Bulb Length	12.5mm



Heat reflecting coating

(UNIT : mm)

SPECTRAL DISTRIBUTION

(METAL HALIDE LAMP TYPE NO L6002)

150W 3.0mm GAP

