

FAN7680

PC Power Supply Outputs Monitoring IC

Features

- PC Power Supply Output Monitor Circuitry
- Few External Components
- Over Voltage Protection for 3.3V, 5V and 12V(Vcc) Outputs
- Under Voltage Protection for 3.3V, 5V and 12V(Vcc) Outputs with Delay Time
- Fault Protection Output with Open Drain Output
- Open Drain Power Good Output
- 300ms Power Good Delay
- 38ms $\overline{\text{PSON}}$ On/Off Debounce
- 73us Debounce
- 2.3ms $\overline{\text{PSON}}$ to $\overline{\text{FPO}}$ Turn Off Delay
- Latch Function Controlled by $\overline{\text{PSON}}$ and Protection Inputs

Typical Application

- PC Power Supply

OVP

The FAN7680 has OVP functions for +3.3V, +5V, +12V(Vcc) outputs. This block is made up of three comparators with two inputs and resistor dividers. One input of a comparator is connected to a reference voltage and another input is connected to a resistor divider.

UVP

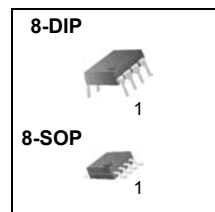
The FAN7680 also has UVP functions for +3.3V, +5V, +12V(Vcc) outputs. This block is made up of three comparators with two inputs and resistor dividers. One input of a comparator is connected to a reference voltage and another input is connected to a resistor divider.

$\overline{\text{PSON}}$

The remote on/off($\overline{\text{PSON}}$) section is for controlling the SMPS externally. When a high signal is applied to the $\overline{\text{PSON}}$ input, the $\overline{\text{FPO}}$ signal becomes a high state and all secondary outputs are grounded. The remote on/off signal is transferred with some on/off debounce time.

Description

The FAN7680 is a complete output supervisory circuitry intended for use in the secondary side of a switched mode power supply. It provides over voltage protection (OVP), under voltage protection (UVP), fault protection output ($\overline{\text{FPO}}$), remote On/Off ($\overline{\text{PSON}}$), latch, internal delay circuits and power good signal generator to monitor and control the output of the switching power supply system. As for output control, power good output(PGO) and fault protection output($\overline{\text{FPO}}$) are included. It directly senses all the output rails for OVP and UVP without external dividers. The FAN7680 offers a simple and cost effective solution with minimum number of external components and greatly reduces PCB board space for power supply.



$\overline{\text{FPO}}$

The $\overline{\text{FPO}}$ (Fault Protection Output) is a signal which indicates the system fault condition according to protection signals. When a fault state is occurred, the $\overline{\text{FPO}}$ signal becomes high and the PGO signal becomes low and the main power is to be turned off.

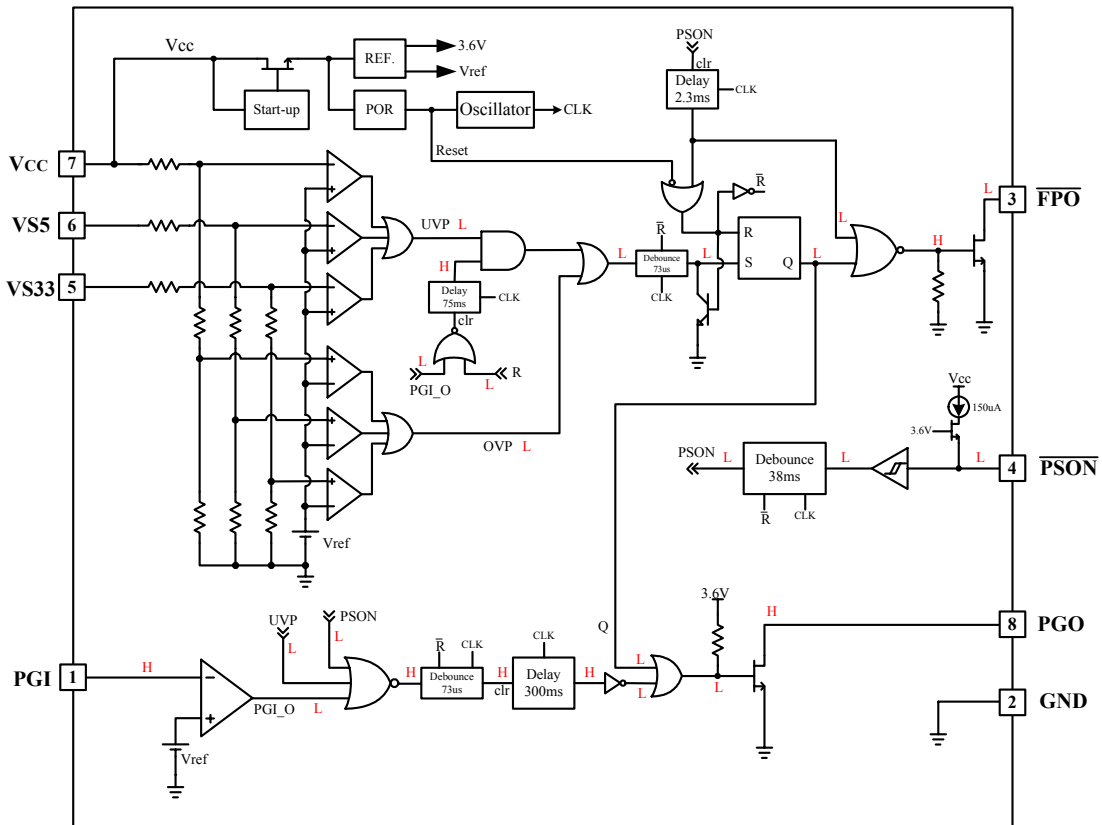
Normal State; "Low"
Fault State; "High"

PGO

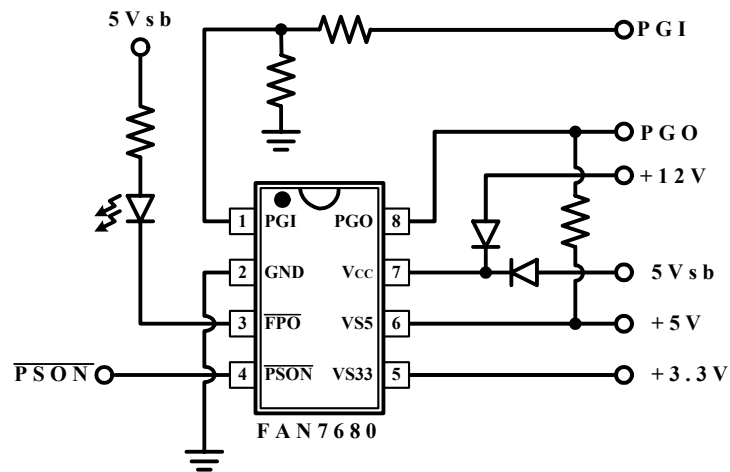
The power good signal generator provides a signal according to output voltage conditions of a power supply for safe operation of a secondary system. The power good output should be low state before the output voltage is out of regulation at turn-off of the input power switch.

Normal State ; "High"
Fault State ; "Low"

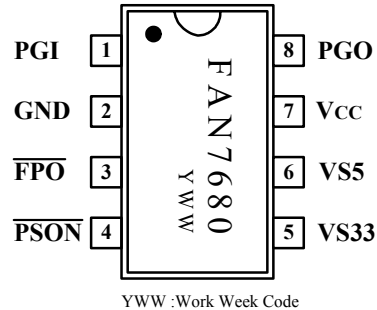
Internal Block Diagram



Typical Application Circuit



Pin Assignments



Pin Definitions

Pin Number	Pin Name	I/O	Pin Function Description
1	PGI	I	Power Good Input
2	GND	-	Ground
3	FPO	O	Low Active Fault Protection Output, Open Drain Output Stage
4	PSON	I	Remote On/Off Control Input
5	VS33	I	3.3V Output Voltage Input
6	VS5	I	5V Output Voltage Input
7	VCC	I	Supply Voltage and 12V Output Voltage Input
8	PGO	O	Power Good Output Signal

Absolute Maximum Ratings (Note2,3)

Parameter	Symbol	Value	Unit
Supply Voltage	V _{CC}	16	V
Supply Current	I _{CC}	1	mA
Input Voltage	V _{PS_{ON}} , VS5	8	V
	VS33, V _{PGI}		
Output Voltage	V _{PGO}	8	V
	V _{FPO}	16	
Operating Temperature	T _O	-40 ~ +125	°C
Storage Temperature	T _S	-65 ~ +150	°C
Power Dissipation	P _D	1	W

Recommended Operating Conditions (Note2,3)

Characteristic	Symbol	Test Condition	Min.	Typ.	Max.	Unit
Supply Voltage	V _{CC}		4		15	V
Input Voltage	V _{PS_{ON}} , VS5,				7	V
	VS33, V _{PGI}					
Output Voltage	V _{PGO}				7	V
	V _{FPO}				15	V
Output Sink Current	I _{FPO}				30	mA
	I _{PGO}				10	mA
Supply Voltage Rising Time	t _r	Note1	1			ms

Electrical Characteristics

(VCC = 5V, Ta=25°C, unless otherwise specified)

Over Voltage Protection, Under Voltage Protection and FPO

Characteristic	Symbol	Test Condition	Min.	Typ.	Max.	Unit
Over Voltage Threshold	VS33OV		3.9	4.1	4.3	V
	VS5OV		5.8	6.1	6.4	
	12V(VCC)OV		13.3	13.8	14.3	
Under Voltage Threshold	VS33UV		2.55	2.69	2.83	V
	VS5UV		4.1	4.3	4.5	
	12V(VCC)UV		8.8	9.3	9.8	
Leakage Current(FPO)	ILKG1	V $\overline{\text{FPO}}$ = 5V	-	-	5	uA
Low Level Output Voltage(FPO)	VOL1	Isink=10mA	-	-	0.3	V
		Isink=30mA	-	-	0.7	

PGI and PGO

Characteristic	Symbol	Test Condition	Min.	Typ.	Max.	Unit
Input Threshold Voltage(PGI)	VPGI		1.16	1.20	1.24	V
Leakage Current(PGO)	ILKG2	V $\overline{\text{PGO}}$ = 5V	-	-	5	uA
Low Level Output Voltage(PGO)	VOL2	Isink=10mA	-	-	0.4	V

PSON Control

Characteristic	Symbol	Test Condition	Min.	Typ.	Max.	Unit
Input Pull-up Current		V $\overline{\text{PSON}}$ = 0V	-	150	-	uA
High-Level Input Voltage			2.4	-	-	V
Low-Level Input Voltage			-	-	1.2	V

Total Device

Characteristic	Symbol	Test Condition	Min.	Typ.	Max.	Unit
Supply Current	ICC	V $\overline{\text{PSON}}$ = 5V	-	-	1	mA

Timing Characteristics

(VCC=5V, Ta=25°C, unless otherwise specified)

Characteristic	Symbol	Test Condition	Min.	Typ.	Max.	Unit
Debounce Time(PSON)	tb1		25	38	51	ms
Noise Debounce Time	tb2	Note 4	50	73	100	us
PGO Delay Time(PGI to PGO)	td1		200	300	410	ms
Internal UVP Delay Time	td2	FPO goes low and every time PGI > 1.20	51	75	102	ms
PSON Off to FPO Delay Time	td3		tb1+1.6	tb1+2.3	tb1+3.2	ms

Note

- VCC slew rate must be less than 14V/ms.
- All voltages are measured with respect to the ground pin, unless otherwise specified.
- The Absolute Maximum Ratings indicate the limits that if exceeded, damage to the device may occur. Recommended Operating Conditions indicate conditions in which the device is functional, but do not guarantee specific performance limits.
- This parameter, although guaranteed over the Timing Characteristics, is not 100% tested in production.

Typical Characteristics

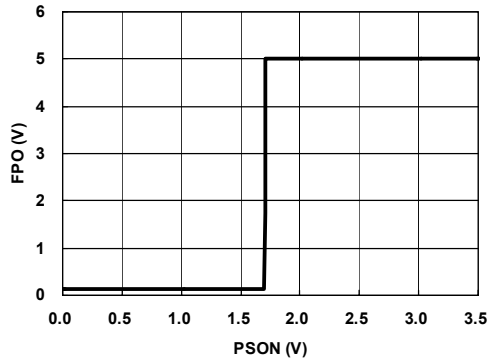


Figure 1. $\overline{\text{PSON}}$ Threshold Voltage

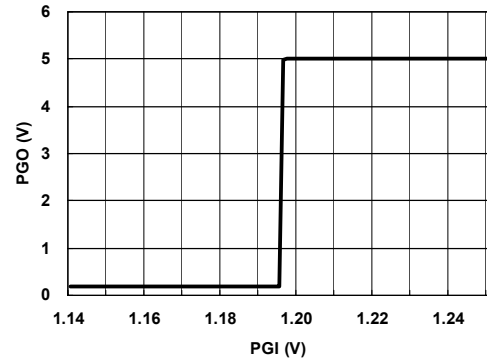


Figure 2. PGI Threshold Voltage

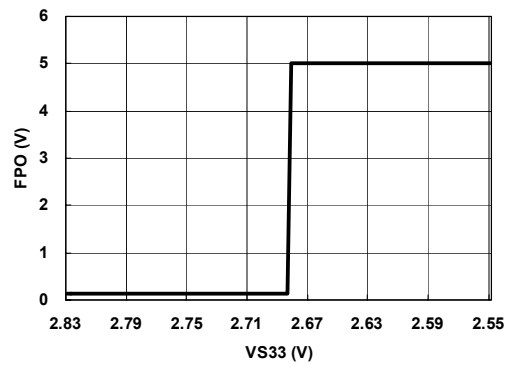


Figure 3. +3.3V UVP Voltage

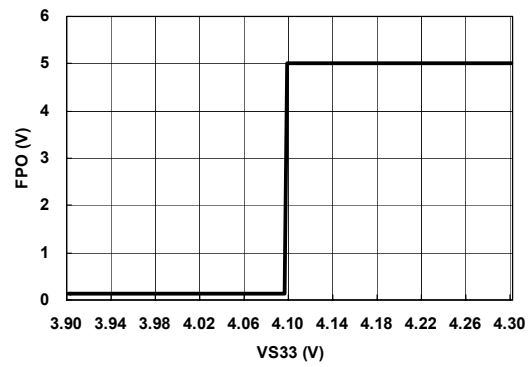


Figure 4. +3.3V OVP Voltage

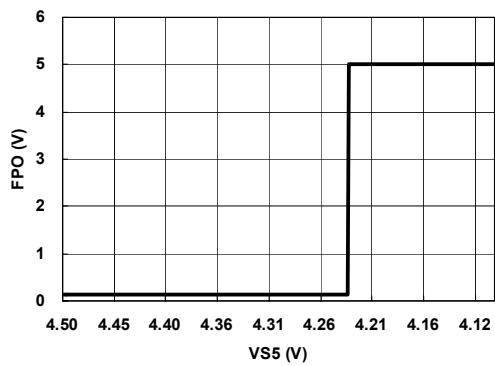


Figure 5. +5V UVP Voltage

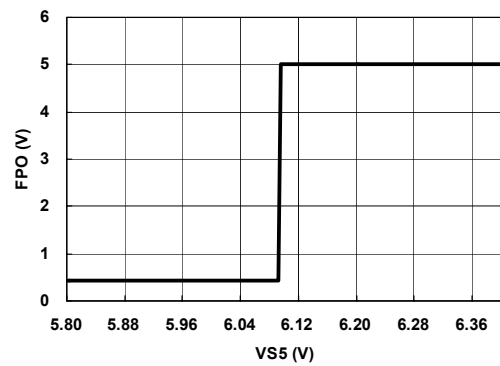


Figure 6. +5V OVP Voltage

Typical Characteristics

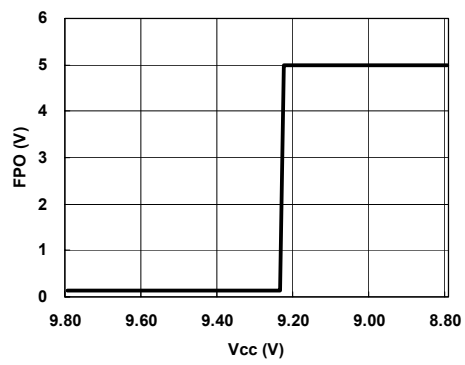


Figure 7. +12V UVP Voltage

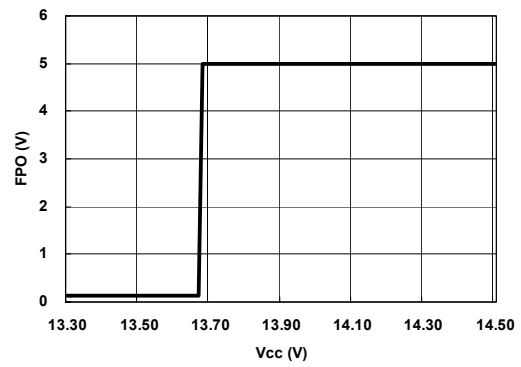
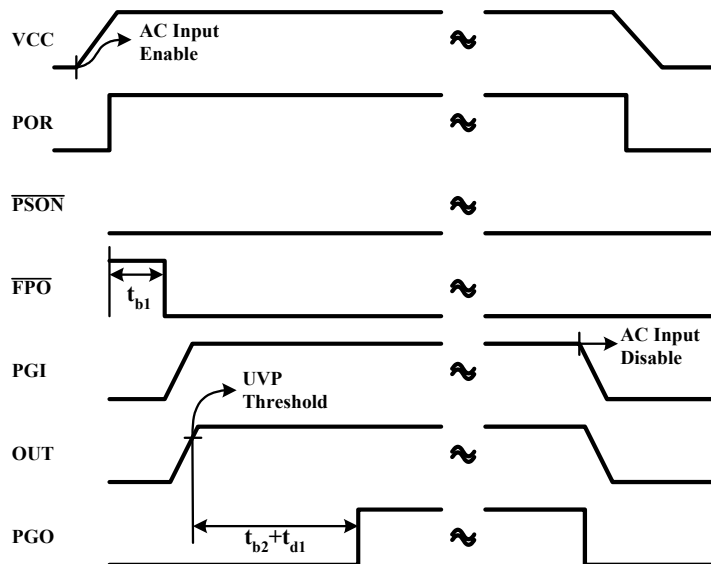


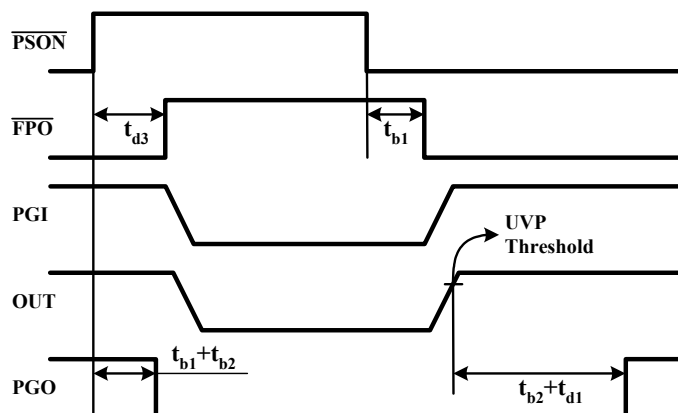
Figure 8. +12V OVP Voltage

Timing Chart

1) AC Input ON/OFF - Normal State

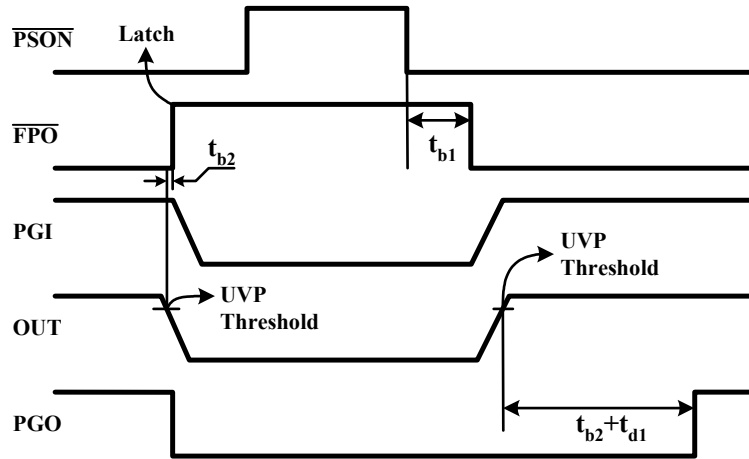


2) PSON ON/OFF - Normal State

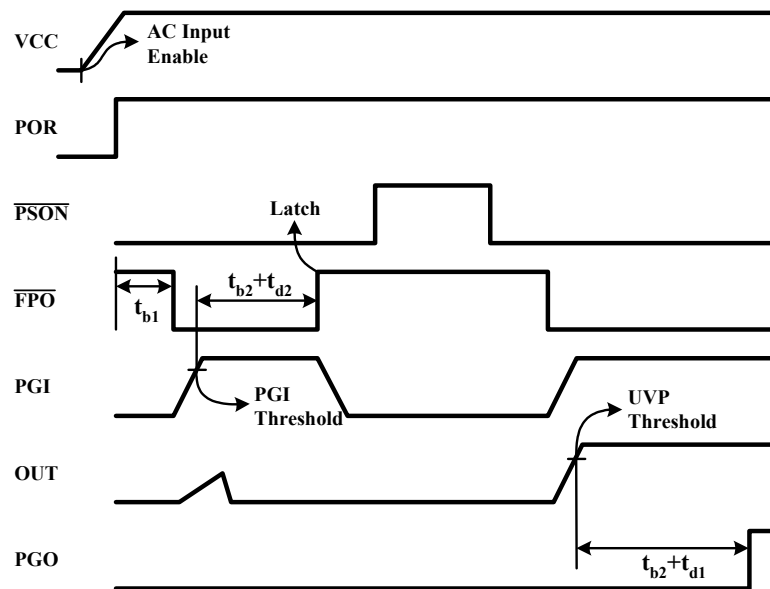


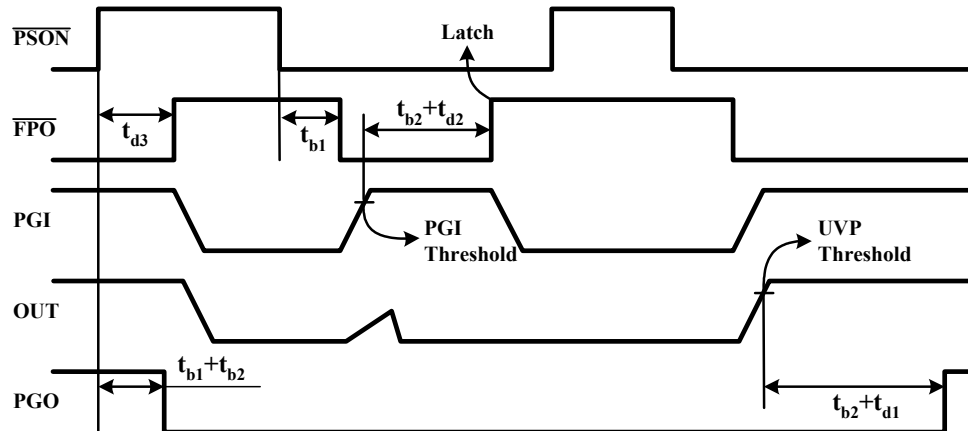
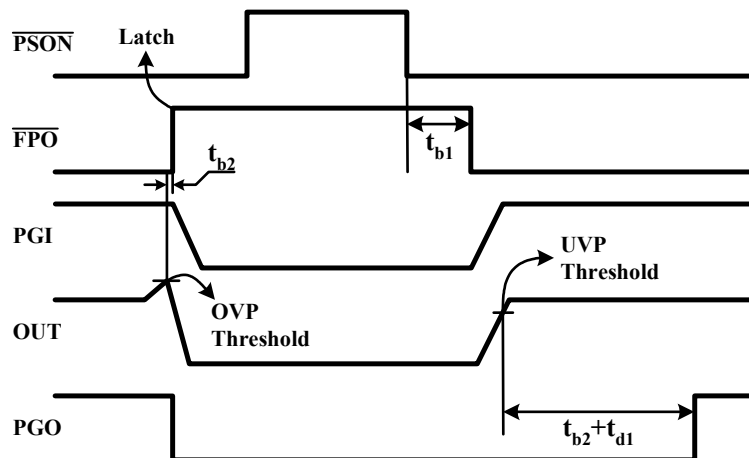
- Vcc : Supply Voltage
- POR : Power On Reset
- PSON : Power Supply On/Off
- FPO : Fault Protection Output
- PGI : Power Good Input
- OUT : Output Voltages
- PGO : Power Good Output

3) Under Voltage at Normal State



4) Under Voltage at AC Input ON



5) Under Voltage at $\overline{\text{PSON}}$ ON/OFF6) Over Voltage at $\overline{\text{PSON}}$ ON/OFF

Application Information

Power Good(PGO) and Power Good Delay

A PC power supply is commonly designed to provide the motherboard with a power good signal, which is defined by the computer manufactures. If the +3.3V, +5V, and +12V outputs are above the undervoltage threshold limit, the PC power supply makes the power good signal high after some delay. At this time the power supply should be able to provide enough power to assure continuous operation within the specification. Conversely, when one of the +3.3V, +5V, or +12V outputs falls below the undervoltage threshold or rise above the overvoltage threshold, or when main power has been turned off for a sufficiently long time so that power supply operation is no longer assured, a PGO signal will be a low state.

The AC input, power good(PGO), remote on/off($\overline{\text{PSON}}$), and +3.3V/+5V/+12V supply rails are shown in figure 1.

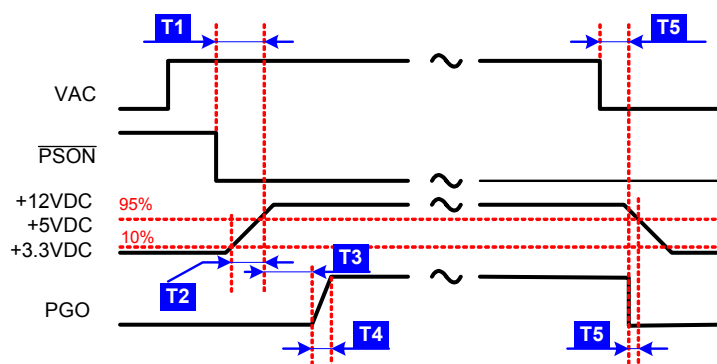


Figure 1. Timing Diagram

Although there is no requirement for specific timing parameters, the following signal timings are recommended :

- T1(Power On Time) : $T1 < 500\text{ms}$
- T2(Rise Time) : $0.1\text{ms} \leq T2 \leq 20\text{ms}$
- T3(PGO Delay) : $100\text{ms} < T3 < 500\text{ms}$
- T4(PGO Delay Risetime) : $T4 \leq 10\text{ms}$
- T5(AC Loss to PGO Hold-Up Time) : $T5 \geq 16\text{ms}$
- T6(Power Down Warning) : $T6 \geq 1\text{ms}$

Furthermore, motherboards should be designed to comply with the above recommended timing range. If timings other than these are implemented or required, that information should be clearly specified.

The FAN7680 provides a power good(PGO) signal for the +3.3V, +5V and +12V(Vcc) supply voltage rails and a separate power good input(PGI). An internal delay circuit is used to generate a 300ms power good delay.

If voltages at PGI(+1.2V), VS33(+3.3V), VS5(+5V), and Vcc(+12V) rise above the undervoltage threshold, the open drain power good output(PGO) will go high after a delay of 300ms. When the PGI voltage or any of +3.3V, +5V, and +12V rails drops below the undervoltage threshold, the PGO signal will be disabled immediately.

Power Supply Remote On/Off($\overline{\text{PSON}}$) and Fault Protect Output($\overline{\text{FPO}}$)

Since the latest personal computer generation focuses on easy turn on and power saving functions, a PC power supply will require two characteristics. One is a dc power supply remote on/off function; the other is standby voltage to achieve very low power consumption of the PC power supply. Thus, the main power needs to be shut down.

The power supply remote on/off($\overline{\text{PSON}}$) is an active-low signal that turns on all of the main power rails including the +3.3V, +5V, and +12V power rails. When this signal is held high by the PC motherboard or left open circuited, the signal of the fault protect output($\overline{\text{FPO}}$) also goes high. Thus, the main power rails can not deliver power and are held at 0V.

When the $\overline{\text{FPO}}$ signal is held high due to a fault condition, the fault status will be latched and the outputs of the main power rails can not deliver power and are held at 0V. Toggling the $\overline{\text{PSON}}$ input signal from low to high will reset the fault protection latch. During this fault condition only the standby power is not affected.

When the $\overline{\text{PSON}}$ input signal goes from high to low or low to high, the 38ms debounce block will be active to avoid that a glitch on the $\overline{\text{PSON}}$ input may disable/enable the $\overline{\text{FPO}}$ output. When the $\overline{\text{PSON}}$ is set low, the undervoltage function is disabled

during 75ms to avoid turn-on failure. At turn-off, there is an additional delay of 2.3ms from $\overline{\text{PSON}}$ to $\overline{\text{FPO}}$. Power should be delivered to the rails only when the $\overline{\text{PSON}}$ signal is held at ground potential, thus the $\overline{\text{FPO}}$ becomes a low state after a debounce of 38ms. The $\overline{\text{FPO}}$ pin can be connected to +5V (or up to +15V) through a pull-up resistor.

Under Voltage Protection(UVP)

The FAN7680 provides undervoltage protection(UVP) for the +3.3V, +5V, and +12V power rails. When an undervoltage condition appears at one of the VS33(+3.3V), VS5(+5V), or Vcc(+12V) input pins for more than 73us, the PGO goes low and $\overline{\text{FPO}}$ output goes high. Also, this fault condition will be latched until the $\overline{\text{PSON}}$ is toggled from low to high or the Vcc falls below a minimum operating voltage.

When the power supply is turned on by the AC input or $\overline{\text{PSON}}$, an internal UVP delay is 75ms. But at normal state an UVP delay time is a 73us debounce time. The need for undervoltage protection is often overlooked in off-line switching power supply system design. But it is very important in battery powered or hand-held equipment since the TTL or CMOS logic often malfunctions under UVP condition.

Over Voltage Protection(OVP)

The overvoltage protection(OVP) of the FAN7680 monitors +3.3V, +5V, and +12V (the +12V output is sensed via the Vcc pin). When an overvoltage condition appears at one of the +3.3V, +5V, or +12V input pins for more than 73us, the $\overline{\text{FPO}}$ output goes high and the PGO goes low. Also, this fault condition will be latched until the $\overline{\text{PSON}}$ is toggled from low to high or Vcc drops below a minimum operating voltage. During fault conditions, most power supplies have the potential to deliver higher output voltages than those normally specified or required. In unprotected equipment, it is possible for output voltages to be high enough to cause internal or external damage to the system. To protect the system under these abnormal conditions, it is common practice to provide overvoltage protection within the power supply.

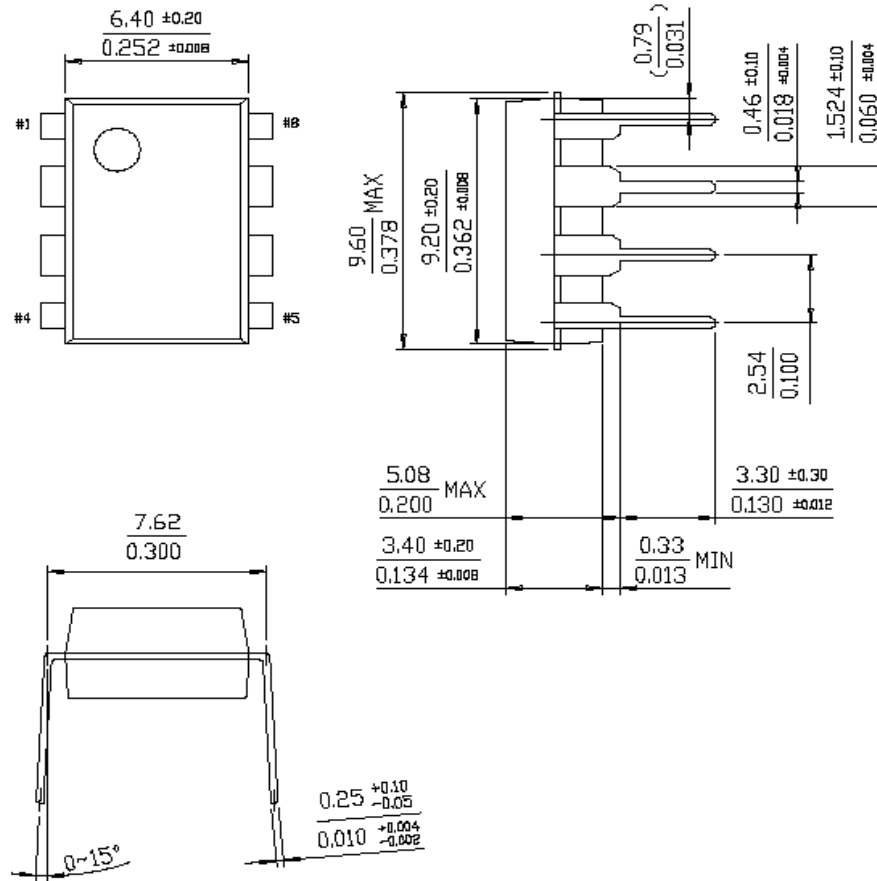
Because TTL and CMOS circuits are very vulnerable to overvoltage, it is becoming industry standard to provide overvoltage protection on all +3.3V, +5V, and +12V outputs. Therefore, not only the +3.3V and +5V rails for the logic circuits on the motherboard need to be protected, but also the +12V peripheral devices such as the hard disk, floppy disk, and CD-ROM players etc., need to be protected.

Mechanical Dimensions

Package

Dimensions in millimeters

8-DIP

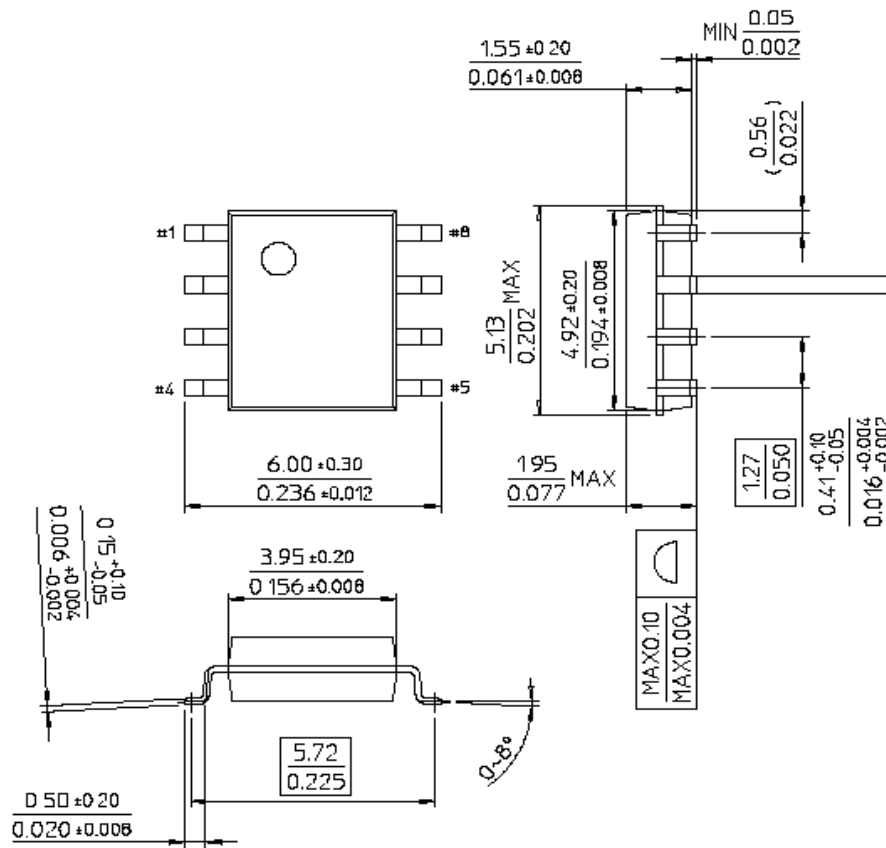


Mechanical Dimensions

Package

Dimensions in millimeters

8-SOP



Ordering Information

Product Number	Package	Operating Temperature
FAN7680N	8DIP	-40°C ~ +125°C
FAN7680M	8SOP	

DISCLAIMER

FAIRCHILD SEMICONDUCTOR RESERVES THE RIGHT TO MAKE CHANGES WITHOUT FURTHER NOTICE TO ANY PRODUCTS HEREIN TO IMPROVE RELIABILITY, FUNCTION OR DESIGN. FAIRCHILD DOES NOT ASSUME ANY LIABILITY ARISING OUT OF THE APPLICATION OR USE OF ANY PRODUCT OR CIRCUIT DESCRIBED HEREIN; NEITHER DOES IT CONVEY ANY LICENSE UNDER ITS PATENT RIGHTS, NOR THE RIGHTS OF OTHERS.

LIFE SUPPORT POLICY

FAIRCHILD'S PRODUCTS ARE NOT AUTHORIZED FOR USE AS CRITICAL COMPONENTS IN LIFE SUPPORT DEVICES OR SYSTEMS WITHOUT THE EXPRESS WRITTEN APPROVAL OF THE PRESIDENT OF FAIRCHILD SEMICONDUCTOR CORPORATION. As used herein:

1. Life support devices or systems are devices or systems which, (a) are intended for surgical implant into the body, or (b) support or sustain life, and (c) whose failure to perform when properly used in accordance with instructions for use provided in the labeling, can be reasonably expected to result in a significant injury of the user.
2. A critical component in any component of a life support device or system whose failure to perform can be reasonably expected to cause the failure of the life support device or system, or to affect its safety or effectiveness.

www.fairchildsemi.com