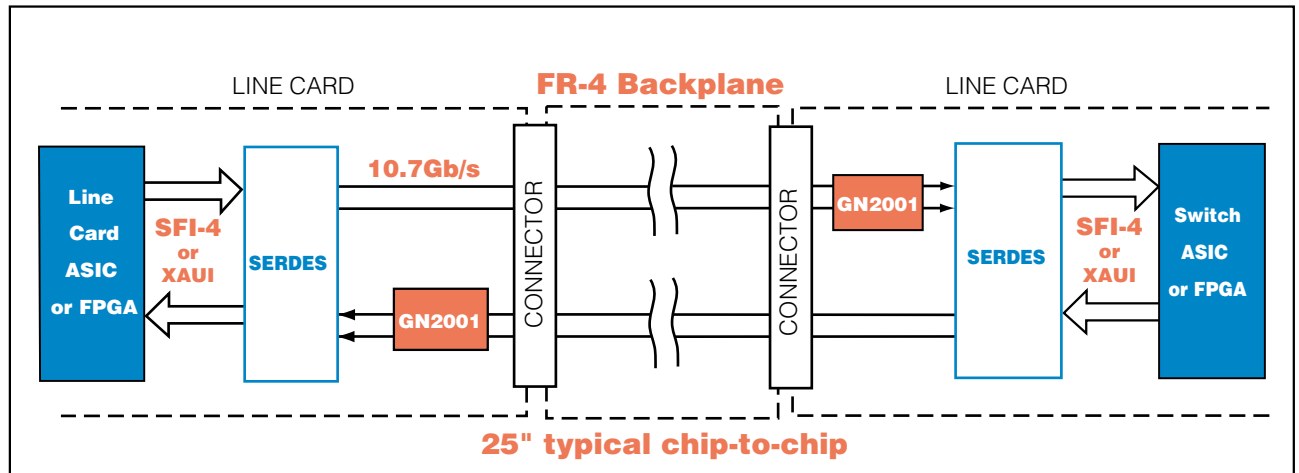


10 Gb/s BACKPLANE EQUALIZER GN2001



TYPICAL APPLICATION

FEATURES

- single differential line up to 10.7Gb/s
- adjustment-free operation
- receive end equalization reduces ISI
- CML compatible I/O
- 25 inches over FR-4 traces
- 10m over coaxial cable
- low power: <200mW
- small outline package

APPLICATIONS

- 10Gb Ethernet switches
- 10Gb Fiber Channel switches
- STS-192/768 equipment
- cross-connects
- terabit routers
- metro-area networking equipment