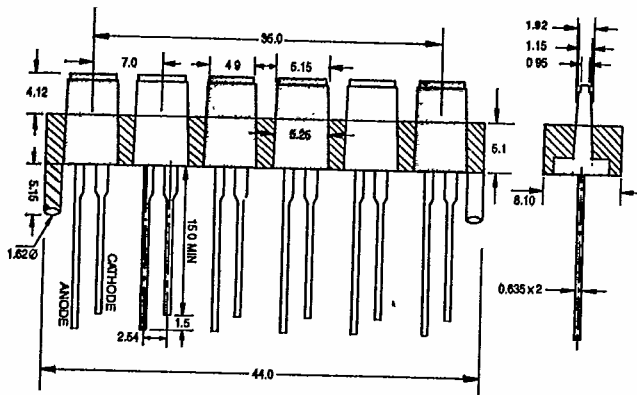


TRIANGULAR TYPE



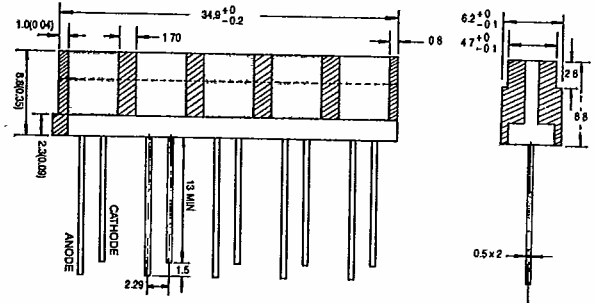
TRIANGULAR TYPE	LENS COLOR				EMITTING COLOR	LUMINOUS INTENSITY IN MCD @10MA			
	Color Diffused (TYP 1)	Color Transparent (TYP 2)	White Diffused (TYP 3)	Water Clear (TYP 4)		TYP			
						1	2	3	4
<p>3x4.6m/m</p> <p>As sample in P25-44</p>	<p>T1123 T2123 T3123 T3123P T4123 T5123 T7123</p>		<p>T1323 T2323 T3323 T3323P T4323 T5323 T7323</p>		<p>Red GaAsP Yellow Green Pure Green Orange Red GaP Low Current Red</p>	<p>0.6 1.2 1.4 1.2 2.0 1.2 1.6</p>		<p>0.6 1.2 1.4 1.2 2.0 1.2 1.6</p>	
<p>3x4.6m/m</p> <p>As sample in P25-44</p>	<p>T1133 T2133 T3133 T3133P T4133 T5133 T7133</p>		<p>T1333 T2333 T3333 T3333P T4333 T5333 T7333</p>		<p>Red GaAsP Yellow Green Pure Green Orange Red GaP Low Current Red</p>	<p>1.1 2.1 2.5 2.1 2.6 2.1 2.5</p>		<p>1.1 2.1 2.5 2.1 2.6 2.1 2.5</p>	
	<p>T1114 T2114 T3114 T3114P T4114 T5114 T7114</p>		<p>T1314 T2314 T3314 T3314P T4314 T5314 T7314</p>		<p>Red GaAsP Yellow Green Pure Green Orange Red GaP Low Current Red</p>	<p>0.6 1.2 1.4 1.2 2.0 1.2 1.6</p>		<p>0.6 1.2 1.4 1.2 2.0 1.2 1.6</p>	
	<p>T1122 T2122 T3122 T3122P T4122 T5122 T7122</p>		<p>T1322 T2322 T3322 T3322P T4322 T5322 T7322</p>		<p>Red GaAsP Yellow Green Pure Green Orange Red GaP Low Current Red</p>	<p>0.6 1.2 1.4 1.2 2.0 1.2 1.6</p>		<p>0.6 1.2 1.4 1.2 2.0 1.2 1.6</p>	
	<p>S1137 S2137 S3137 S3137P S4137 S5137 S7137</p>		<p>S1237 S2237 S3237 S3237P S4237 S5237 S7237</p>		<p>Red GaAsP Yellow Green Pure Green Orange Red GaP Red GaAlAs Low Current Red</p>	<p>1.9 3.7 4.3 3.7 4.7 3.7 4.5</p>		<p>5.0 9.8 11.4 9.8 12.8 9.8 12.5</p>	
	<p>S1136 S2136 S3136 S3136P S4136 S5136 S7136</p>		<p>S1236 S2236 S3236 S3236P S4236 S5236 S7236</p>		<p>Red GaAsP Yellow Green Pure Green Orange Red GaP Red GaAlAs Low Current Red</p>	<p>1.9 3.7 4.3 3.7 4.7 3.7 4.5</p>		<p>5.0 9.8 11.4 9.8 12.8 9.8 12.5</p>	

HOLDER TYPE



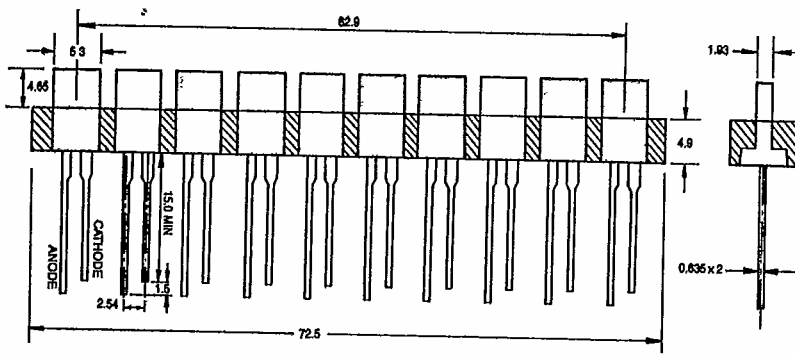
H-1 1x5m/m ARRAY SOCKET 6 SEGUENT

As sample in P25-58



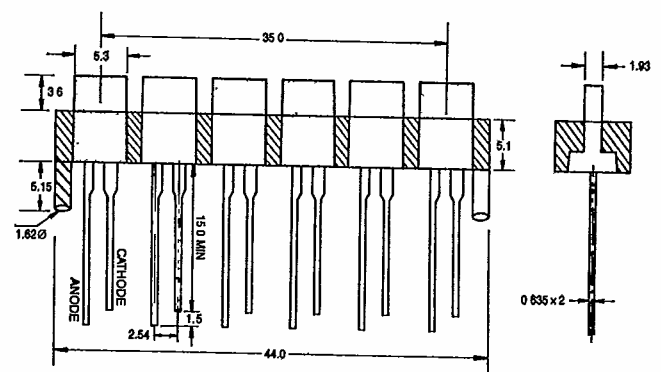
H-2 1.8x5.3m/m ARRAY SOCKET 5 SEGUENT

As sample in P25-59



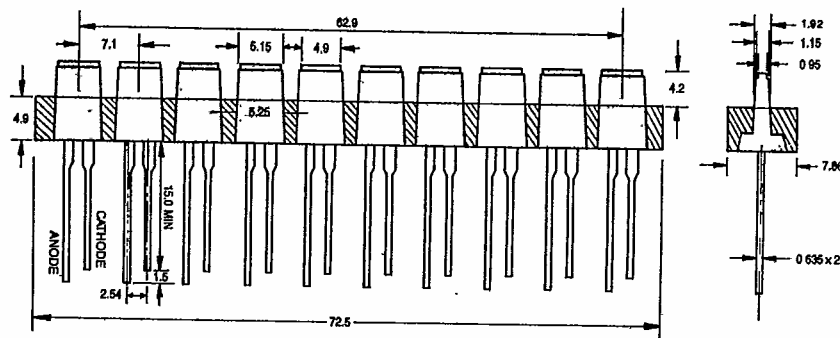
H-3 1.8x5.3m/m ARRAY SOCKET 10 SEGUENT

As sample in P25-60



H-4 1.8x5.3m/m ARRAY SOCKET 6 SEGUENT

As sample in P25-61

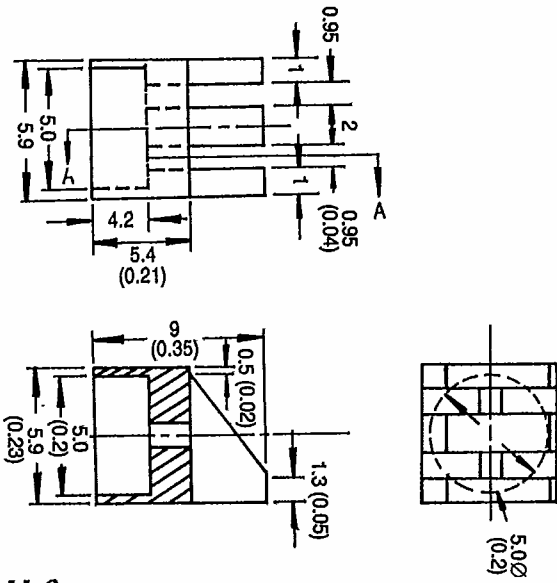
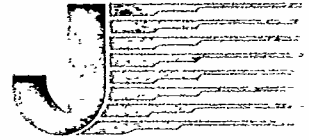


H-5 1x5m/m ARRAY SOCKET 10 SEGUENT

As sample in P25-62

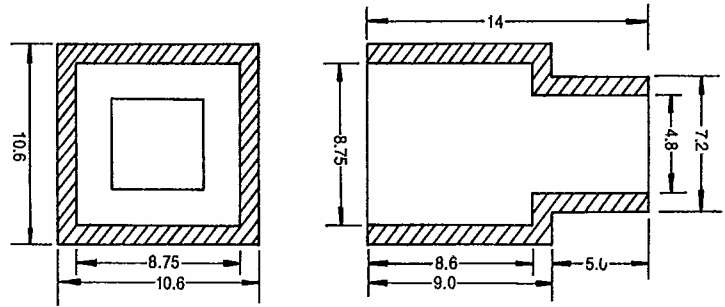
All Dimensions are in millimeters.
Tolerance is $\pm 0.2\text{mm}$

HOLDER TYPE



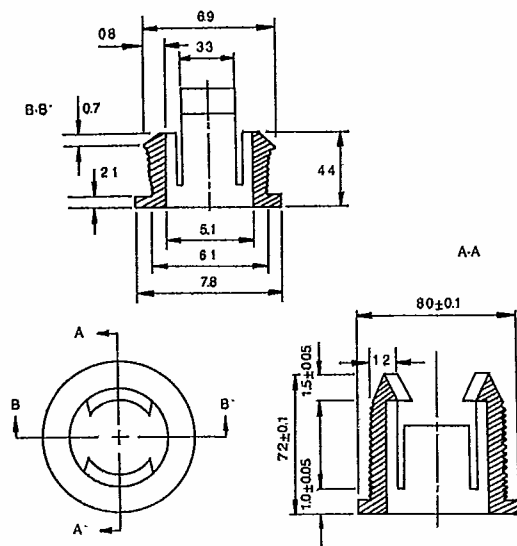
H-6 5m/m

As sample in P25-63



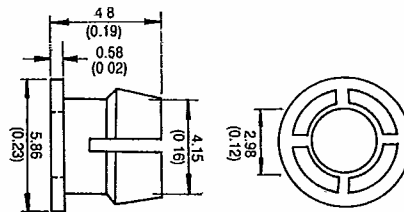
H-7 8x8m/m

As sample in P25-64



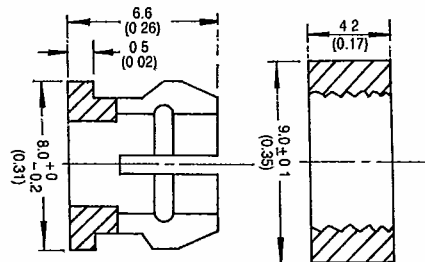
H-8 5m/m

As sample in P25-65



H-9 3m/m

As sample in P25-66



H-10 5m/m

As sample in P25-67

All Dimensions are in millimeters.
Tolerance is $\pm 0.2\text{mm}$