




PM115-115-1238BT-4 PM115-230-1238BT-4

Features

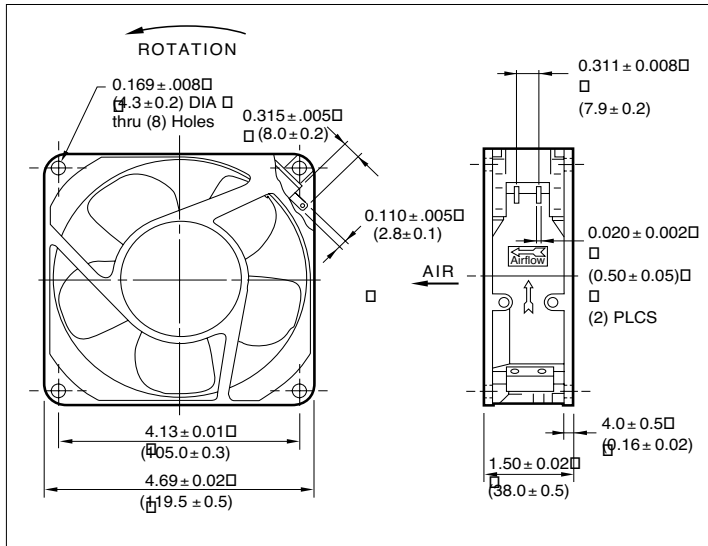
| | |
|-----------|--|
| Size: | 120 x 120 x 38 mm (4.7" x 4.7" x 1.5") |
| Airflow: | 115 CFM |
| Weight: | 550 grams (20 oz) |
| Terminal: | 0.120 inches |
| Impeller: | Reinforced Plastic (UL94V-0) |
| Frame: | Aluminum Alloy |
| Bearings: | Sealed Ball |

 UL E101153

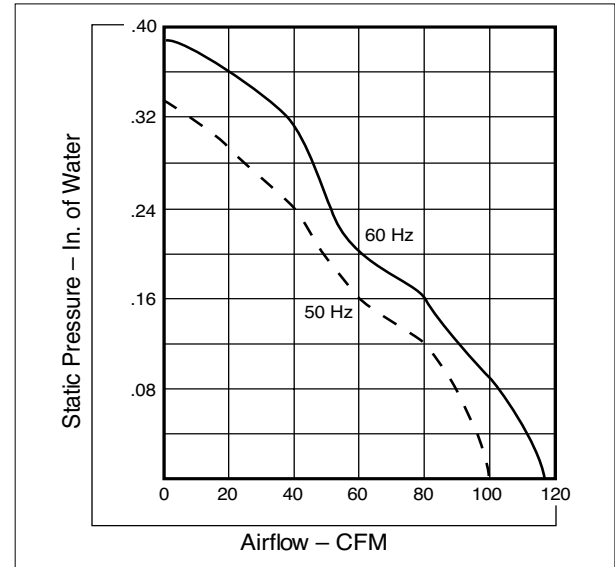
 CUL E101153

• RoHS Compliant

Dimensions – inches mm



Air Flow vs Air Pressure



Performance

| Type | Rated Voltage (V) | Operating Frequency (Hz) | Input Power (W) (@ 60 Hz) | Max Air Flow (CFM) | Max Air Pressure (In H ₂ O) | Noise* (dBA) | Operating Temperature (°C) | Life Expectancy (Hr) (@ 20°C ±15) |
|--------------------|-------------------|--------------------------|---------------------------|--------------------|--|--------------|----------------------------|-----------------------------------|
| PM115-115-1238BT-4 | 115 | 50/60 | 20.0 | 115 | 0.38 | 49 | -20 ~ +85 | 60,000 |
| PM115-230-1238BT-4 | 230 | 50/60 | 20.0 | 115 | 0.38 | 49 | -20 ~ +85 | 60,000 |

*Measured 1 m from intake

Product specifications contained herein may be changed without prior notice.

It is therefore advisable to contact Purdy Electronics before proceeding with the design of equipment incorporating this product.