



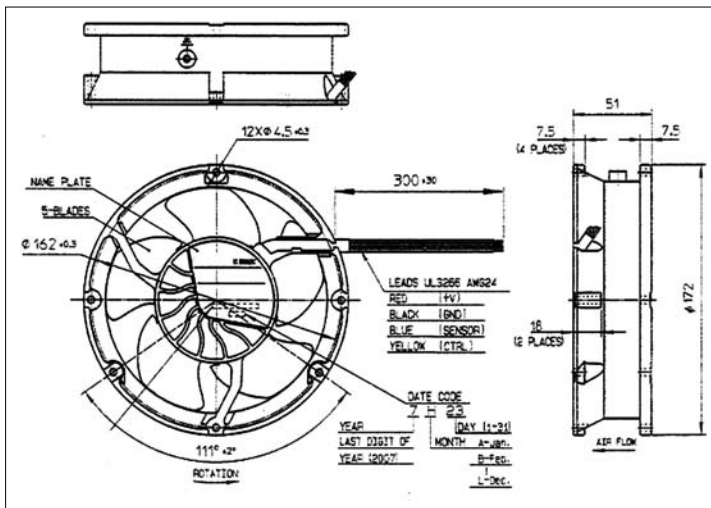
PM240-24D-1751B-2TP

Features

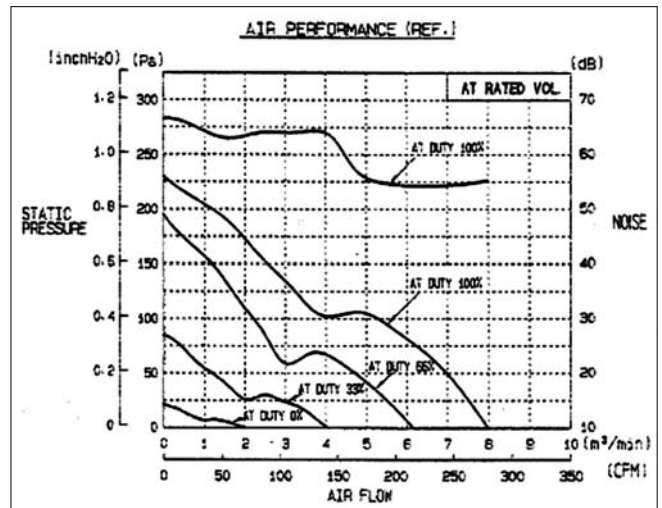
- Size: 172 x 150 x 51 mm
- Airflow: 251 CFM
- Weight: 0.8 kg
- Noise: 57.5 dBA (avg.)
- Impeller: Reinforced Plastic (94V-0)
- Frame: Aluminum Alloy
- Bearings: Sealed Ball


 UL E101153
 
 CUL E101153

Dimensions – inches mm



Air Flow vs Air Pressure



Performance

Type	Rated Voltage (V)	Operating Frequency (Hz)	Input Power (W) (@ 60 Hz)	Max Air Flow (CFM)	Max Air Pressure (In H ₂ O)	Noise* (dBA)	Operating Temperature (°C)	Life Expectancy (Hr) (@ 40°C)
PM240-24D-1751B-2TP	24	50/60	19.0	251	0.88	57.5	-20~ +70	80,000

*Measured 1 m from intake

Product specifications contained herein may be changed without prior notice.

It is therefore advisable to contact Purdy Electronics before proceeding with the design of equipment incorporating this product.