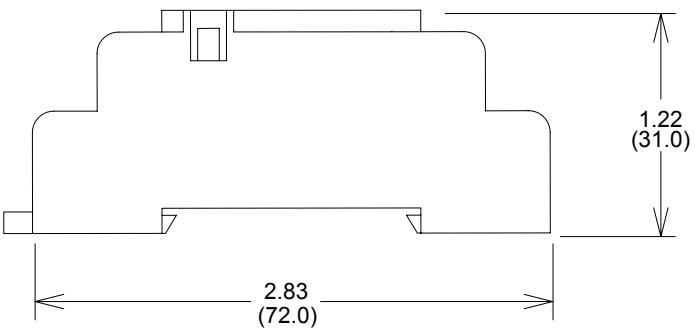
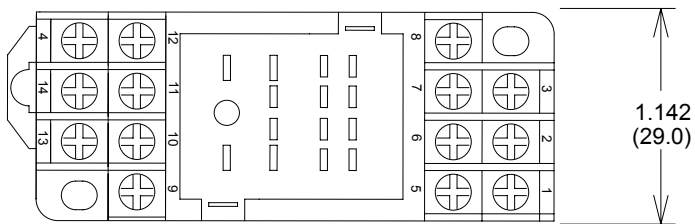


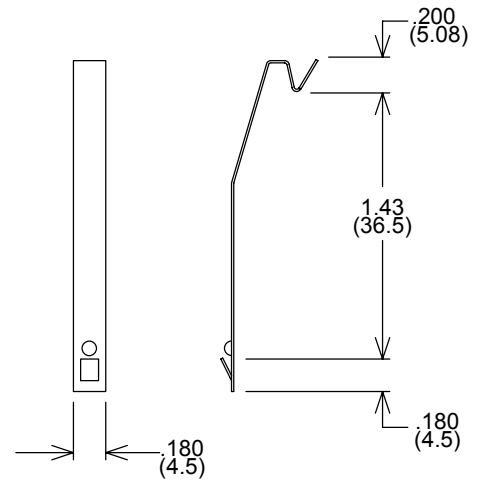
14 Pin Miniature Socket for Din Rail or Panel Mount **SK4104/4Z-F( )**

**For Use With The PCHD Relay**

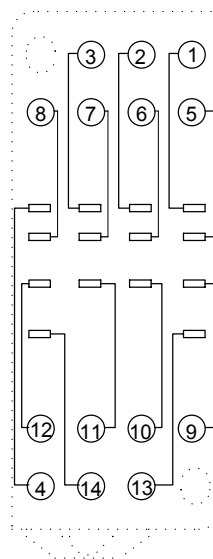
**Socket**  
Dimensions in inches (MM)



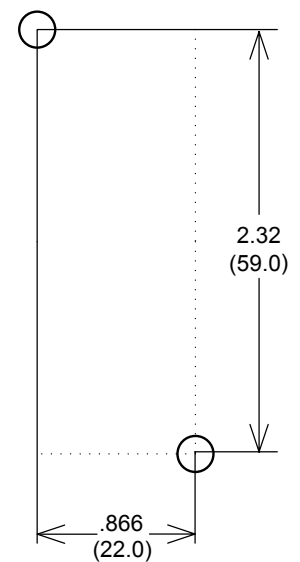
**Hold Down Clip**



**Terminal Layout**  
Top View



**Mounting Dimensions**  
Top View



**Ordering Information**

- SK4104/4Z-F1; Socket with open terminals
- SK4104/4Z-F2; Socket with finger safe terminals

**Notes**

- Two hold down clips included with each socket
- All Picker Components sockets have pressure clamp screws
- Fits standard 35 mm Din Rail
- Tolerances  $\pm .010$  unless otherwise noted