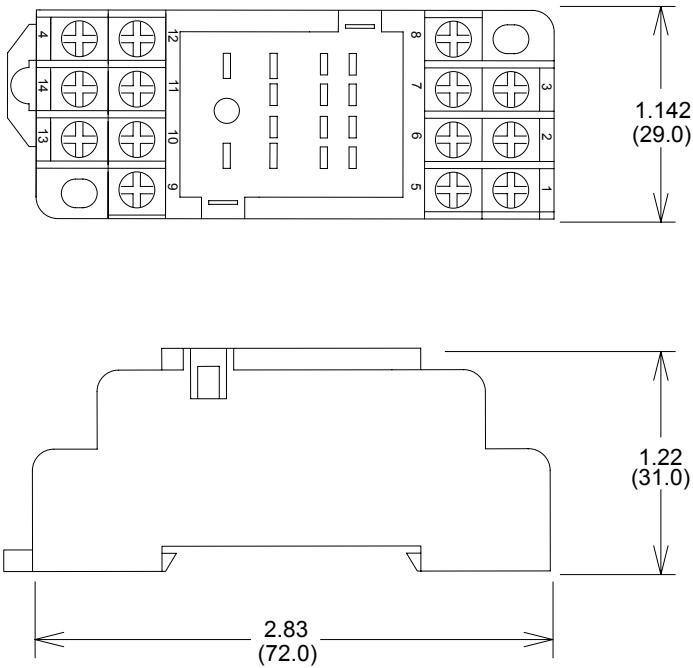
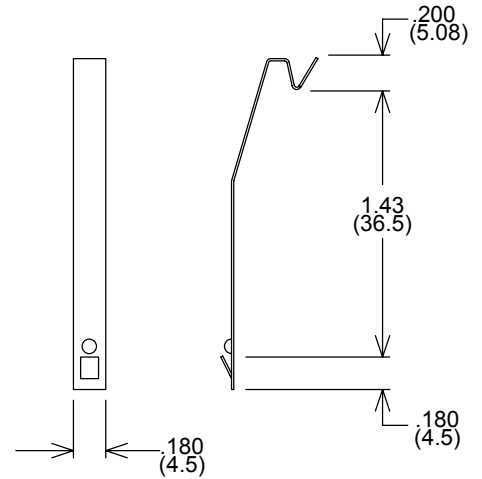


**For Use With The PCHD Relay**

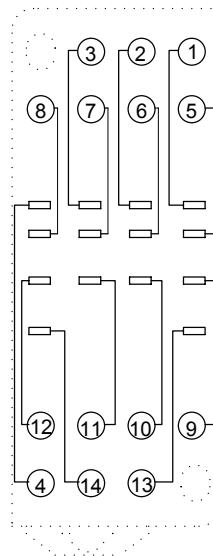
**Socket**  
Dimensions in inches (MM)



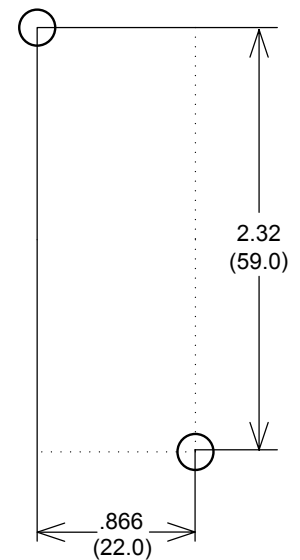
**Hold Down Clip**



**Terminal Layout**  
Top View



**Mounting Dimensions**  
Top View



**Ordering Information**

SK4104/4Z-F1; Socket with open terminals  
SK4104/4Z-F2; Socket with finger safe terminals

**Notes**

Two hold down clips included with each socket  
All Picker Components sockets have pressure clamp screws  
Fits standard 35 mm Din Rail  
Tolerances  $\pm .010$  unless otherwise noted