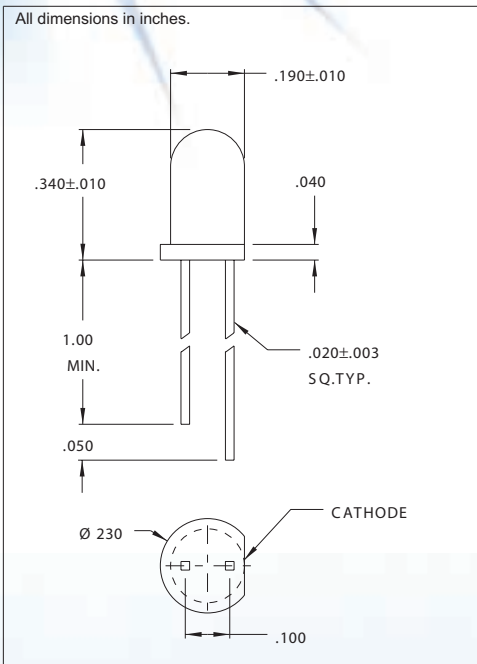


**T-1 3/4 Diffused LED Lamps**

**DESCRIPTION AND FEATURES**



These LED lamps offer a variety of diffused lens effects and color availability. These lamps are available with both wide view angles and narrow view angles for high bright direct viewing. The High Efficiency Red and Yellow lamps are produced with GaAsP/GaP and the High Efficiency Green lamp is produced with GaP/GaP. This compact, rugged and lightweight LED lamp requires low power and allows for versatile PC board or panel mounting.

**ELECTRO-OPTICAL CHARACTERISTICS AND RATINGS**

| PART NUMBER  | CMD6153     | CMD6154A    | CMD6353     | CMD6354A    | CMD64530    | CMD6431     | CMD6454A    | CMD6753     | CMD6754A    |
|--|-------------|-------------|-------------|-------------|-------------|-------------|-------------|-------------|-------------|
| Output Color   | H.E. Red    | H.E. Red    | Yellow      | Yellow      | H.E.Green   | H.E.Green   | H.E.Green   | H.E. Red    | H.E. Red    |
| Diffusion  | Diffused    | Diffused    | Diffused    | Diffused    | Diffused    | Diffused    | Diffused    | Diffused    | Diffused    |
| Package Color  | Amber       | Amber       | Yellow      | Yellow      | Green       | Green       | Green       | Red         | Red         |
| Test Current (mA)                                      | 20          | 20          | 20          | 20          | 20          | 20          | 20          | 20          | 20          |
| Forward Voltage Typ. (V)                               | 2.0         | 2.0         | 2.1         | 2.1         | 2.2         | 2.2         | 2.2         | 2.0         | 2.0         |
| Forward Voltage Max. (V)                               | 3.0         | 3.0         | 3.0         | 3.0         | 3.0         | 3.0         | 3.0         | 3.0         | 3.0         |
| Luminous Intensity Min. (mcd)                          | 3.0         | 10.0        | 2.5         | 10.0        | 3.0         | 7.0         | 10.0        | 3.0         | 15.0        |
| Luminous Intensity Typ. (mcd)                          | 15.0        | 25.0        | 15.0        | 25.0        | 20.0        | 20.0        | 30.0        | 10.0        | 25.0        |
| Luminous Intensity Max. (mcd)                          | -           | -           | -           | -           | -           | -           | -           | -           | -           |
| Peak Wavelength (nm)                                   | 635         | 635         | 585         | 585         | 562         | 562         | 562         | 635         | 635         |
| Viewing Angle 2θ 1/2 (degrees)                         | 65          | 24          | 65          | 24          | 75          | 75          | 24          | 65          | 24          |
| Power Dissipation (mW)                                 | 120         | 120         | 120         | 120         | 120         | 120         | 120         | 120         | 120         |
| Operating Temperature (°C)                             | -55 to +100 | -55 to +100 | -55 to +100 | -55 to +100 | -55 to +100 | -55 to +100 | -55 to +100 | -55 to +100 | -55 to +100 |
| Storage Temperature (°C)                               | -55 to +100 | -55 to +100 | -55 to +100 | -55 to +100 | -55 to +100 | -55 to +100 | -55 to +100 | -55 to +100 | -55 to +100 |
| Peak Forward Current Max. (1µs @ 0.3% duty cycle) (mA) | 1000        | 1000        | 1000        | 1000        | 90          | 90          | 90          | 1000        | 1000        |
| Reverse Voltage (IR=100µA) (V)                         | 5           | 5           | 5           | 5           | 5           | 5           | 5           | 5           | 5           |
| Lead Solder Time @ 260°C                               | 5           | 5           | 5           | 5           | 5           | 5           | 5           | 5           | 5           |