

FEATURES

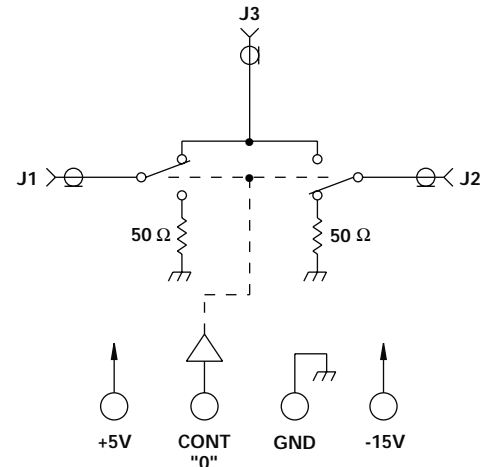
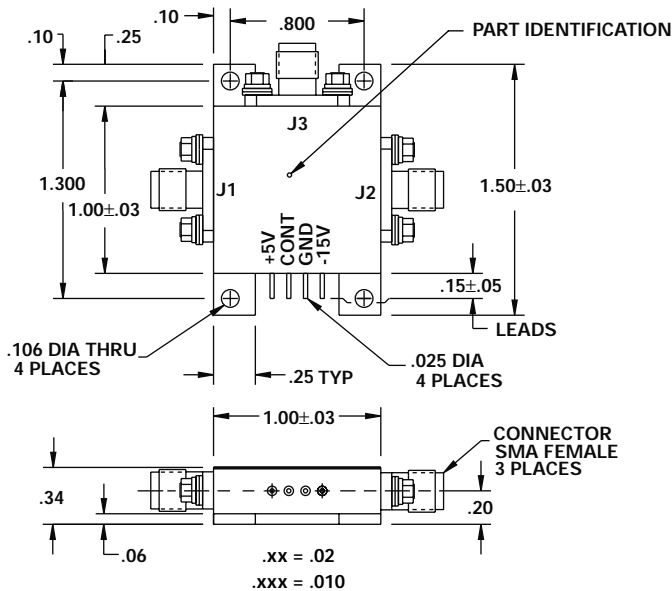
- 20 - 4000 MHz
- < 1 dB Insertion Loss up to 3 GHz
- TTL Driver
- Non-Reflective
- Replaceable SMA Connectors



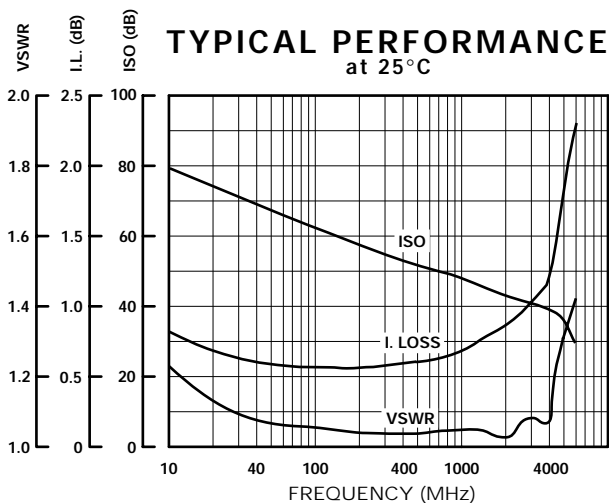
MODEL NO.
CDS0912

PIN Diode SP2T

SP2T



GUARANTEED PERFORMANCE



Parameter	Min	Typ	Max	Units	Conditions
Operating Frequency	20		4000	MHz	
DC Current		13	20	mA	At +5 VDC Supply
		15	20	mA	At -15 VDC Supply
Control Type		TTL			1 Line Logic "0" = J1 - J3 Logic "1" = J2 - J3
Control Current		10	±40	µA	VIH = +2.7V
		10	±40	µA	VIL = +0.5V
Insertion Loss		1.3	1.7	dB	
Insertion Loss Flatness		0.7	±1	dB	
Amplitude Balance		0.1	±0.5	dB	
Isolation	42	52		dB	20 - 1000 MHz
	36	46		dB	1000 - 2000 MHz
	30	40		dB	2000 - 4000 MHz
VSWR		1.2/1	1.5/1		
Thru		1.2/1	1.5/1		
Termination					
Impedance		50		OHMS	
Switching Speed		3	10	µSEC	50% TTL to 90% / 10% RF
Transition (Rise/Fall) Time		0.5		µSEC	90% / 10% or 10% / 90% RF
Switching (Video) Transients		0.5		V	Peak Value
Intercept Points		+60	+82	dBm	70 MHz / 50 MHz
		+37	+46	dBm	35 MHz / 50 MHz
RF Power		+20	+15	dBm	0.1 dB Comp. Below 100 MHz
		+23	+20	dBm	0.1 dB Comp. Above 100 MHz
			+30	dBm	No Damage
Operating Temperature	-55	+25	+125	°C	TA

DAICO Industries