

## FEATURES

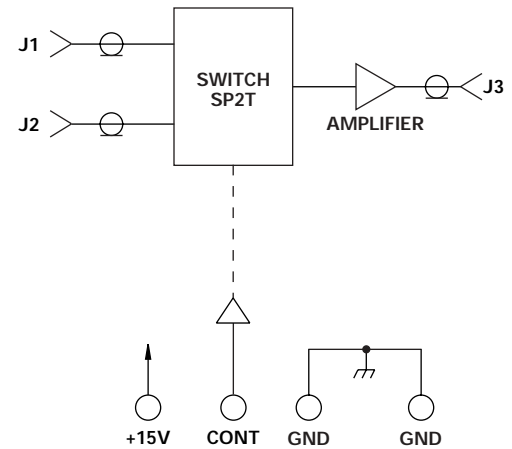
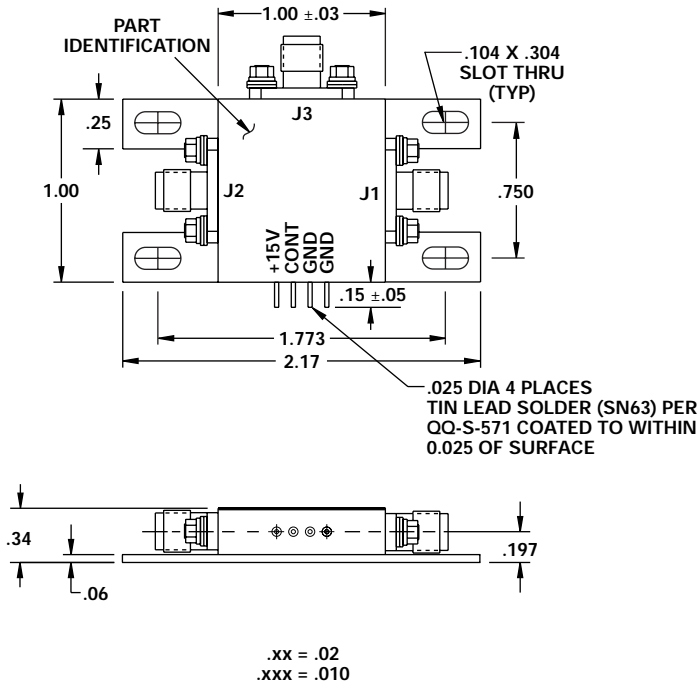
- 1550 - 1850 MHz
- 4 dB Gain
- Non-Reflective
- TTL Driver
- Replaceable SMA Connectors



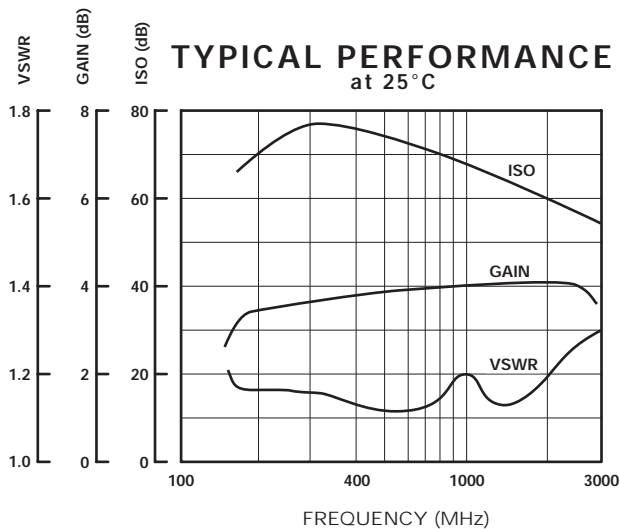
MODEL NO.  
CDS0892

Connectorized SP2T w/Amp

HDI



## GUARANTEED PERFORMANCE



Parameter	Min	Typ	Max	Units	Conditions
Operating Frequency	1550		1850	MHz	
DC Current		71	100	mA	At +15 VDC Supply
Control Type		TTL			1 Line Logic "0" = J2 - J3 Logic "1" = J1 - J3
Control Current		0	60	µA	VIH = +2.7 V VIL = +0.5 V
		-0.5	-1.6	mA	
Insertion Gain		3	4	5	dB
		±0.1	±0.5	±0.5	
		8.2	10		
Isolation		45	59		dB
VSWR		1.17/1	1.5/1		
		1.12/1	1.5/1		
Impedance		50			OHMS
Switching Speed		0.6	1		µSec
Transition (Rise/Fall) Time		340	700		nSec
Switching (Video) Transients		1.3			V
Intercept Points		+47			dBm
		+31			dBm
RF Power		+2	-1		0.1 dB Input Compression
			+5		
Operating Temperature	-55	+25	+100		°C
					TA