

**FEATURES**

- Micro-power Bipolar technology
- Complies with Bellcore and ITU-T specifications
- Supports 2.488 GHz (OC-48)
- Interface to both LVPECL and TTL logic
- 16-bit LVPECL data path
- Compact 80 PQFP/TEP package
- Diagnostic loopback mode
- Line loopback
- Signal detect input
- Low jitter LVPECL interface
- Single 3.3V supply

**APPLICATIONS**

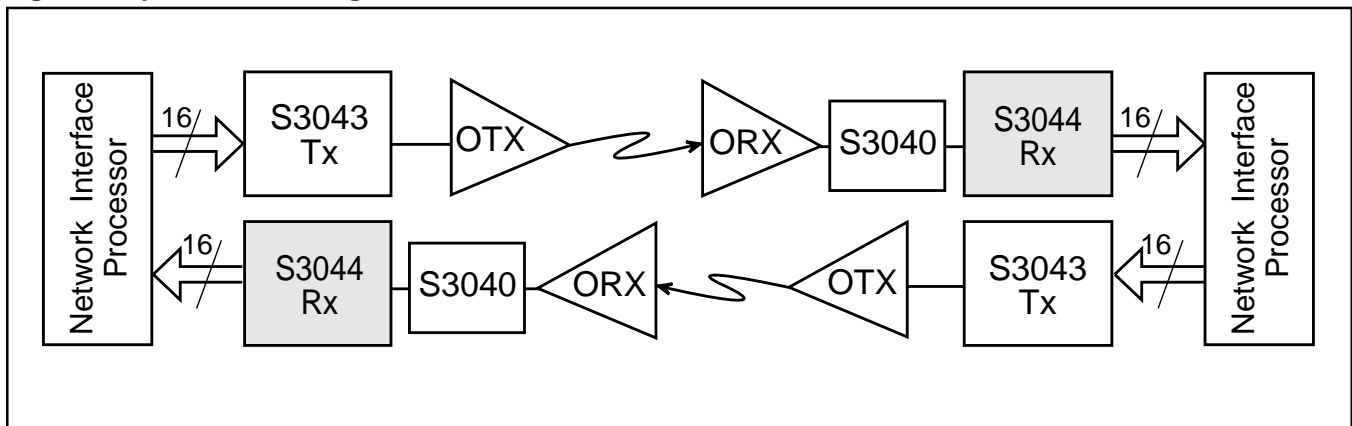
- SONET/SDH-based transmission systems
- SONET/SDH modules
- SONET/SDH test equipment
- ATM over SONET/SDH
- Section repeaters
- Add drop multiplexers (ADM)
- Broad-band cross-connects
- Fiber optic terminators
- Fiber optic test equipment

**GENERAL DESCRIPTION**

The S3044 SONET/SDH Demux chip is a fully integrated deserialization SONET OC-48 (2.488 GHz) interface device. The chip performs all necessary serial-to-parallel and framing functions in conformance with SONET/SDH transmission standards. The device is suitable for SONET-based ATM applications. Figure 1 shows a typical network application.

The low jitter LVPECL interface guarantees compliance with the bit-error rate requirements of the Bellcore and ITU-T standards. The S3044 is packaged in a 80 PQFP/TEP, offering designers a small package outline.

**Figure 1. System Block Diagram**



### S3044 OVERVIEW

The S3044 receiver implements SONET/SDH deserialization and frame detection functions. The block diagram in Figure 2 shows the basic operation of the chip. This chip can be used to implement the front end of SONET equipment, which consists primarily of the serial transmit interface and the serial receive interface. The chip includes serial-to-parallel conversion and system timing. The system timing circuitry consists of management of the datastream, framing, and clock distribution throughout the front end.

The sequence of operations of the S3044 is as follows:

#### Receiver Operations:

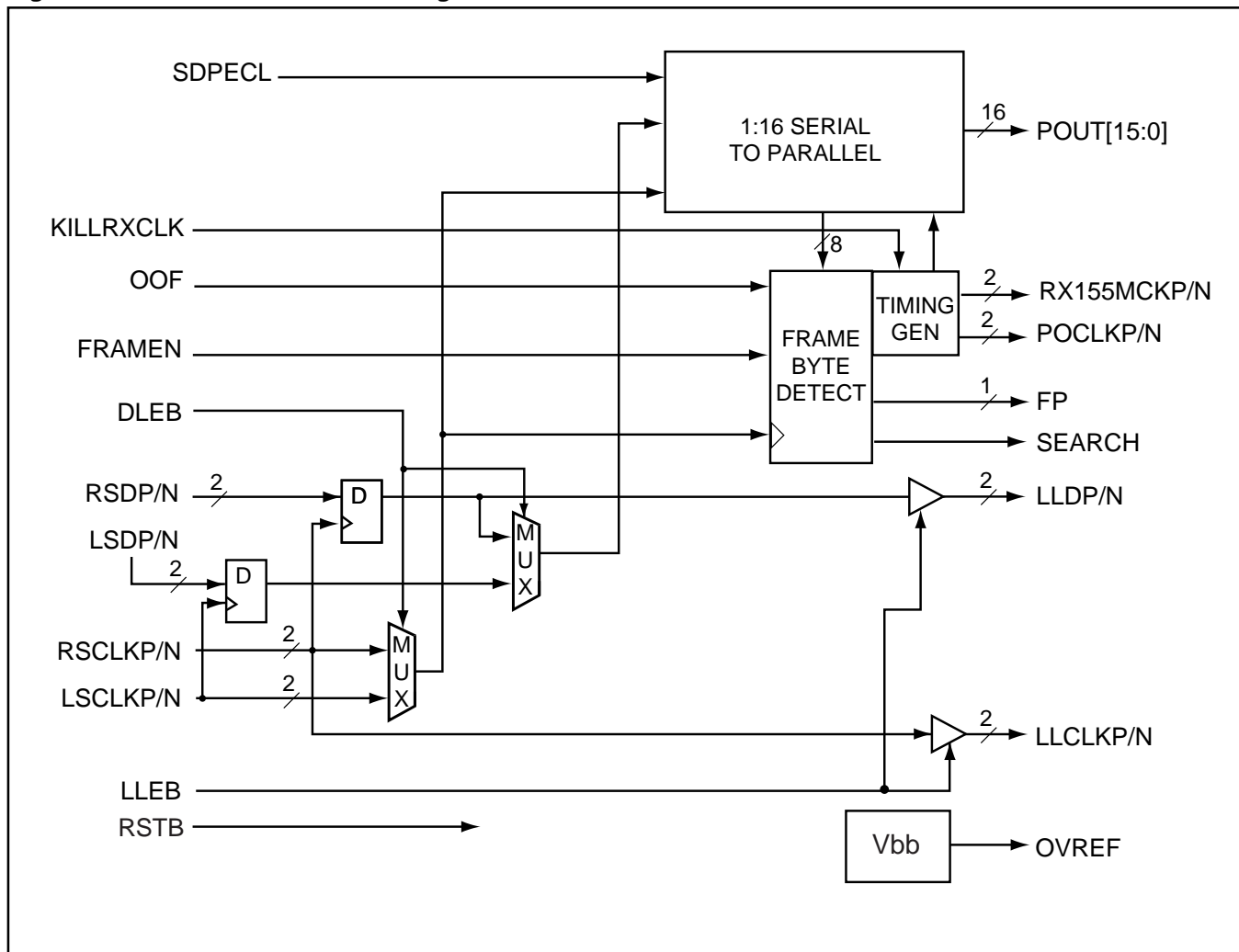
1. Serial input
2. Serial-to-parallel conversion
3. Frame detection
4. 16-bit parallel output

Internal clocking and control functions are transparent to the user. Details of data timing can be seen in Figures 7 through 9. Internal clocking and control functions are transparent to the user.

#### Suggested Interface Devices

AMCC	S3040	Clock Recovery Device
AMCC	S3043	OC-48 Transmitter

Figure 2. S3044 Functional Block Diagram



**SONET OVERVIEW**

Synchronous Optical Network (SONET) is a standard for connecting one fiber system to another at the optical level. SONET, together with the Synchronous Digital Hierarchy (SDH) administered by the ITU-T, forms a single international standard for fiber interconnect between telephone networks of different countries. SONET is capable of accommodating a variety of transmission rates and applications.

The SONET standard is a layered protocol with four separate layers defined. These are:

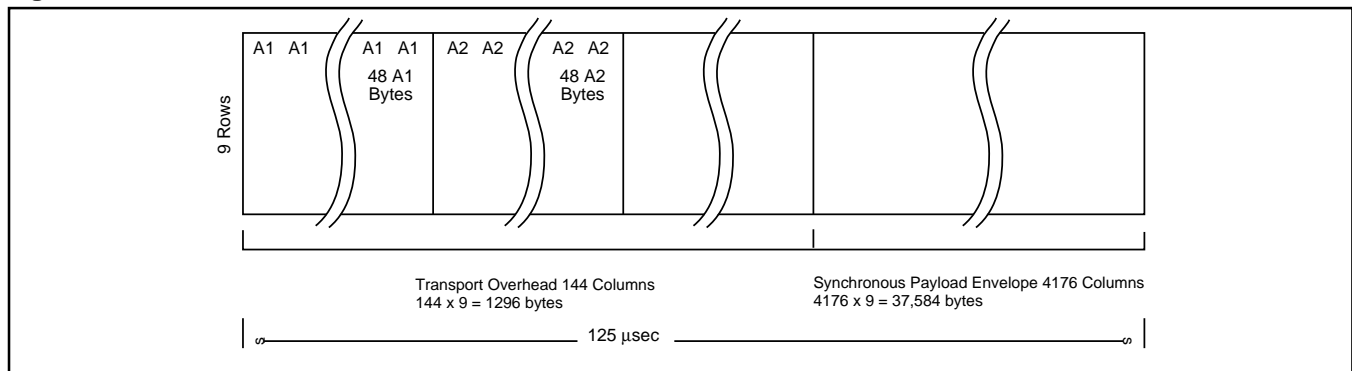
- Photonic
- Section
- Line
- Path

Figure 3 shows the layers and their functions. Each of the layers has overhead bandwidth dedicated to administration and maintenance. The photonic layer simply handles the conversion from electrical to optical and back with no overhead. It is responsible for transmitting the electrical signals in optical form over the physical media. The section layer handles the transport of the framed electrical signals across the optical cable from one end to the next. Key functions of this layer are framing, scrambling, and error monitoring. The line layer is responsible for the reliable transmission of the path layer information stream carrying voice, data, and video signals. Its main functions are synchronization, multiplexing, and reliable transport. The path layer is responsible for the actual transport of services at the appropriate signaling rates.

**Data Rates and Signal Hierarchy**

Table 1 contains the data rates and signal designations of the SONET hierarchy. The lowest level is the basic SONET signal referred to as the synchronous transport signal level-1 (STS-1). An STS-*N* signal is made up of *N* byte-interleaved STS-1 signals. The optical counterpart of each STS-*N* signal is an optical carrier level-*N* signal (OC-*N*). The S3044 chip supports OC-48 rate (2.488 Gbps).

**Figure 4. STS-48/OC-48 Frame Format**

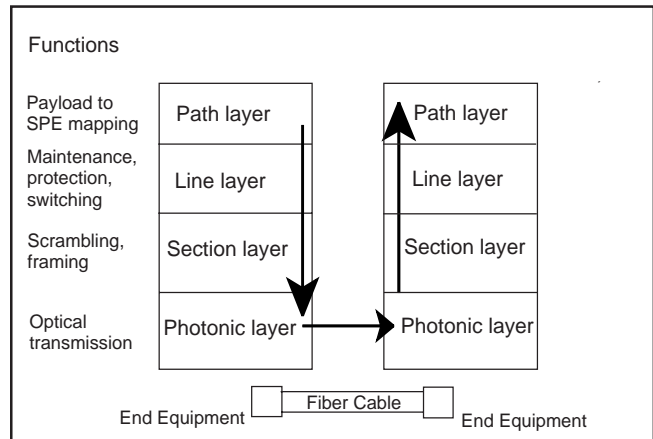


**Frame and Byte Boundary Detection**

The SONET/SDH fundamental frame format for STS-48 consists of 144 transport overhead bytes followed by Synchronous Payload Envelope (SPE) bytes. This pattern of 144 overhead and 4176 SPE bytes is repeated nine times in each frame. Frame and byte boundaries are detected using the A1 and A2 bytes found in the transport overhead. (See Figure 4.)

For more details on SONET operations, refer to the Bellcore SONET standard document.

**Figure 3. SONET Structure**



**Table 1. SONET Signal Hierarchy**

Elec.	CCITT	Optical	Data Rate (Mbps)
STS-1		OC-1	51.84
STS-3	STM-1	OC-3	155.52
STS-12	STM-4	OC-12	622.08
STS-24	STM-8	OC-24	1244.16
STS-48	STM-16	OC-48	2488.32

## RECEIVER OPERATION

The S3044 receiver chip provides the first stage of digital processing of a receive SONET STS-48 bit-serial stream. It converts the bit-serial 2.488 Gbps data stream into a 155.52 Mbyte/sec byte-serial data format. A loopback mode is provided for diagnostic loopback (transmitter to receiver). A Line Loopback (receiver to transmitter) is also provided.

### Frame and Byte Boundary Detection

The Frame and Byte Boundary Detection circuitry searches the incoming data for three consecutive A1 bytes followed immediately by one A2 byte. Framing pattern detection is enabled and disabled by the FRAMEN input. Detection is enabled by a rising edge on OOF when FRAMEN is active. It is disabled when a framing pattern is detected. When framing pattern detection is enabled, the framing pattern is used to locate byte and frame boundaries in the incoming data stream (RSD or looped transmitter data). During this time, the parallel data bus (POUT [15:0]) will not contain valid data. The timing generator block takes the located byte boundary and uses it to block the incoming data stream into bytes for output on the parallel output data bus (POUT[15:0]). The frame boundary is reported on the frame pulse (FP) output when any 32-bit pattern matching the framing pattern is detected on the incoming data stream. When framing pattern detection is disabled, the byte boundary is frozen to the location found when detection was previously enabled. Only framing patterns aligned to the fixed byte boundary are indicated on the FP output.

The probability that random data in an STS-48 stream will generate the 32-bit framing pattern is extremely small. It is highly improbable that a mimic pattern would occur within one frame of data. Therefore, the time to match the first frame pattern and to verify it with down-stream circuitry, at the next occurrence of the pattern, is expected to be less than the required 250  $\mu$ s, even for extremely high bit error rates.

### Serial to Parallel Converter

The Serial to Parallel Converter consists of three 16-bit registers. The first is a serial-in, parallel-out shift register, which performs the serial to parallel conversion. The second is an 16-bit internal holding register, which transfers data from the serial to parallel register on byte boundaries as determined by the frame and byte boundary detection block. On the falling edge of the free running POCLK, the data in the holding register is transferred to an output holding register which drives POUT[15:0].

## OTHER OPERATING MODES

### Diagnostic Loopback

When the Diagnostic Loopback Enable (DLEB) input is active, a loopback from the transmitter to the receiver at the serial data rate can be set up for diagnostic purposes. The differential serial output clock and data from the transmitter (LSCLK and LSD) is routed to the serial-to-parallel block in place of the normal data stream (RSCLK and RSD).

### Line Loopback

The Line Loopback circuitry consists of alternate clock and data output drivers. When LLEB is active, it enables the Line Loopback output data and clock (LLD and LLCLK), and a receive-to-transmit loopback can be established at the serial data rate.

**Table 2. Input Pin Assignment and Description**

Pin Name	Level	I/O	Pin #	Description
RSDP RSDN	Internally Biased Diff. LVPECL	I	3 4	Receive Serial Data. Serial data stream signals normally connected to an optical receiver module. These inputs are clocked by the RSCLK inputs. Internally biased and terminated.
RSCLKP RSCLKN	Internally Biased Diff. LVPECL	I	7 8	Receive Serial Clock. Recovered clock signal that is synchronous with the RSD inputs. This clock is used by the receive section as the master clock to perform framing and deserialization functions. Internally biased and terminated.
LSDP LSDN	Externally Biased Diff. LVPECL	I	74 73	Loopback Serial Data. Serial data stream signals normally connected to the transmitter for loopback testing. These inputs are clocked by the LSCLK inputs. Internally terminated.
LSCLKP LSCLKN	Externally Biased Diff. LVPECL	I	80 79	Loopback Serial Clock. Clock input from the transmitter that is synchronous with the LSD inputs. This clock is used during local loopback testing to perform the framing and deserialization functions. Internally terminated.
OOF	LVTTTL	I	16	Out of Frame. Indicator used to enable framing pattern detection logic in the S3044. The framing pattern detection logic is enabled by a rising edge on OOF, and remains enabled until frame boundary is detected. OOF is an asynchronous signal with a minimum pulse width of one POCLK period. (See Figures 10 and 11.)
SDPECL	Single- Ended LVPECL	I	19	LVPECL Signal Detect. Active High. A single-ended LVPECL input to be driven by the external optical receiver module to indicate a loss of received optical power. When SDPECL is inactive, the data on the Serial Data In (RSDP/N) pins will be internally forced to a constant zero. When SDPECL is active, data on the RSDP/N pins will be processed normally.
DLEB	LVTTTL	I	23	Diagnostic Loopback Enable. Selects diagnostic loopback. Active Low. When DLEB is inactive, the S3044 device uses the primary data (RSD) and clock (RSCLK) inputs. When active, the S3044 device uses the diagnostic loopback clock and data from the transmitter.
RSTB	LVTTTL	I	24	Master Reset. Reset input for the device, active Low. During reset, POCLK does not toggle.
LLEB	LVTTTL	I	22	Line Loopback Enable. Selects Line Loopback. Active Low. When LLEB is low, the S3044 will enable the data from the LLD/LLCLK outputs.
KILLRXCLK	LVTTTL	I	18	Kill Receive Clock Input. For normal operation set KILLRXCLK "High." When this input is low, it will force RX155 MCK and POCLK outputs to a logic "0" state.
FRAMEN	LVTTTL	I	17	Frame Enable Input. For normal operation set FRAMEN High. This enables the frame detector circuit to detect A1 A2 alignment and lock to word boundary. When this input is Low, it will disable the frame detector circuit and it will lock on the last byte alignment state.

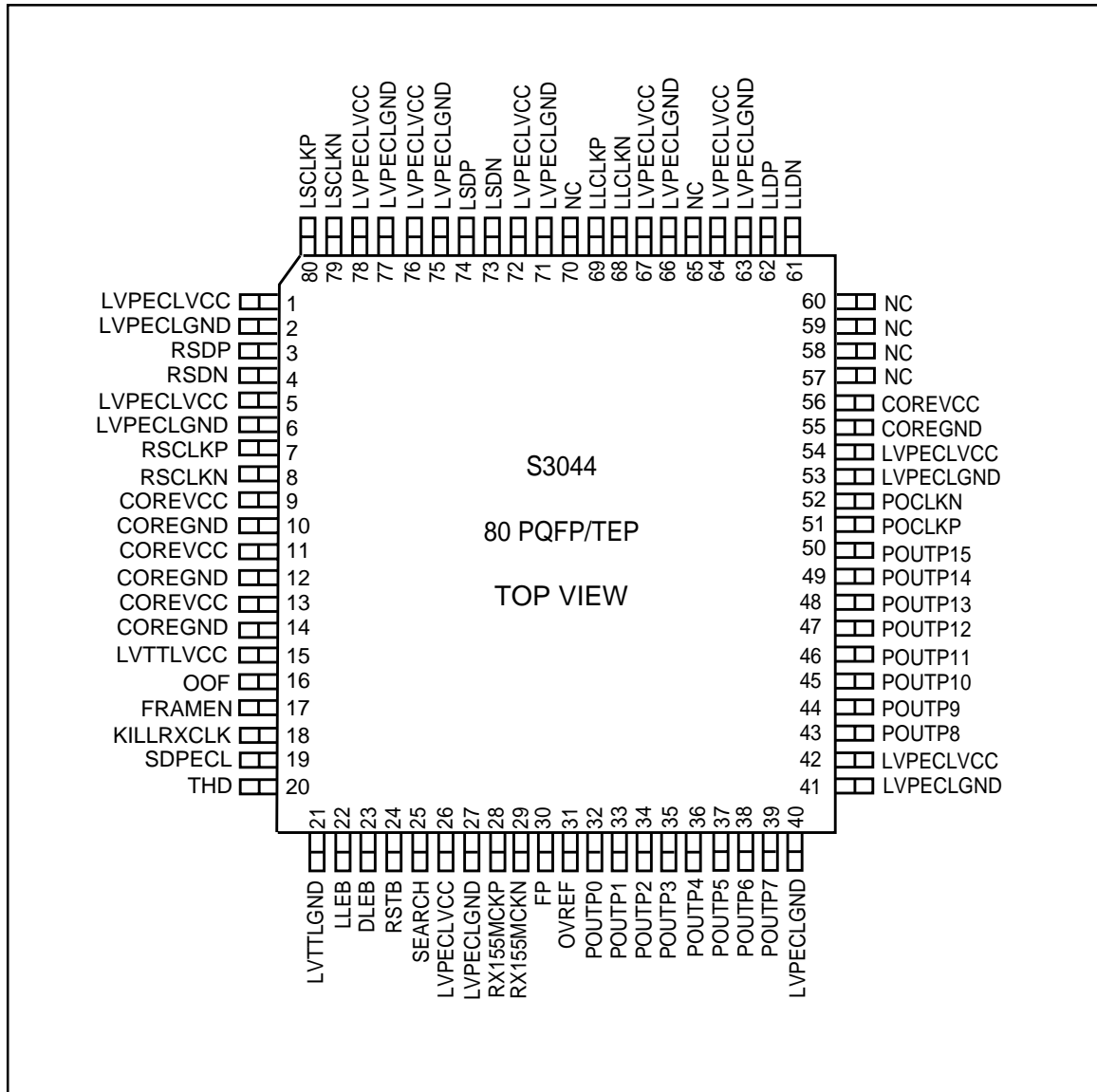
**Table 3. Output Pin Assignment and Description**

Pin Name	Level	I/O	Pin #	Description
POUTP0 POUTP1 POUTP2 POUTP3 POUTP4 POUTP5 POUTP6 POUTP7 POUTP8 POUTP9 POUTP10 POUTP11 POUTP12 POUTP13 POUTP14 POUTP15	Single-Ended LVPECL	O	32 33 34 35 36 37 38 39 43 44 45 46 47 48 49 50	Parallel Output. Parallel data bus, a 155.52 Mbyte/sec 16-bit word, aligned to the parallel output clock (POCLK). POUT<15> is the most significant bit (corresponding to bit 1 of each PCM word, the first bit received). POUT<0> is the least significant bit (corresponding to bit 16 of each PCM word, the last bit received). POUT<15:0> is updated on the falling edge of POCLK.
LLDP LLDN	Low Swing Diff. CML	O	62 61	Line Loopback Data. A retimed version of the incoming data stream [RSD]. Enabled by LLEB.
LLCLKP LLCLKN	Low Swing Diff. CML	O	69 68	Line Loopback Clock. A buffered version of the RSCLK or LSCLK input. Enabled by LLEB.
FP	Single-Ended LVPECL	O	30	Frame Pulse. Indicates frame boundaries in the incoming data stream. If framing pattern detection is enabled, as controlled by the OOF input, FP pulses high for one POCLK cycle when a 32-bit sequence matching the framing pattern is detected on the serial data inputs. When framing pattern detection is disabled, FP pulses high when the incoming data stream, after byte alignment, matches the framing pattern. FP is updated on the falling edge of POCLK.
POCLKP POCLKN	Diff. LVPECL	O	51 52	Parallel Output Clock. A 155.52 MHz nominally 50% duty cycle, byte rate output clock, that is aligned to POUT<15:0> byte serial output data. POUT<15:0> and FP are updated on the falling edge of POCLK.
SEARCH	LVTTTL	O	25	A1 A2 Frame Search Output. A High on this output pin indicates the frame detection circuit is activated and it is searching for a new A1 A2 byte alignment. This output will be High during the entire period of A1 A2 frame search. Once a new alignment is found, this signal will remain High for a minimum of one 155 MHz clock period beyond the third A2 byte before it will be set to Low.
RX155MCKP RX155MCKN	Diff. LVPECL		28 29	Receive Free Running 155 MHz Clock Output. This clock is generated by dividing the RSCLK signal by sixteen.
OVREF	DC	O	31	Single-Ended LVPECL reference voltage. Tracks midswing voltage of parallel output data bus.

**Table 4. Common Pin Assignment and Description**

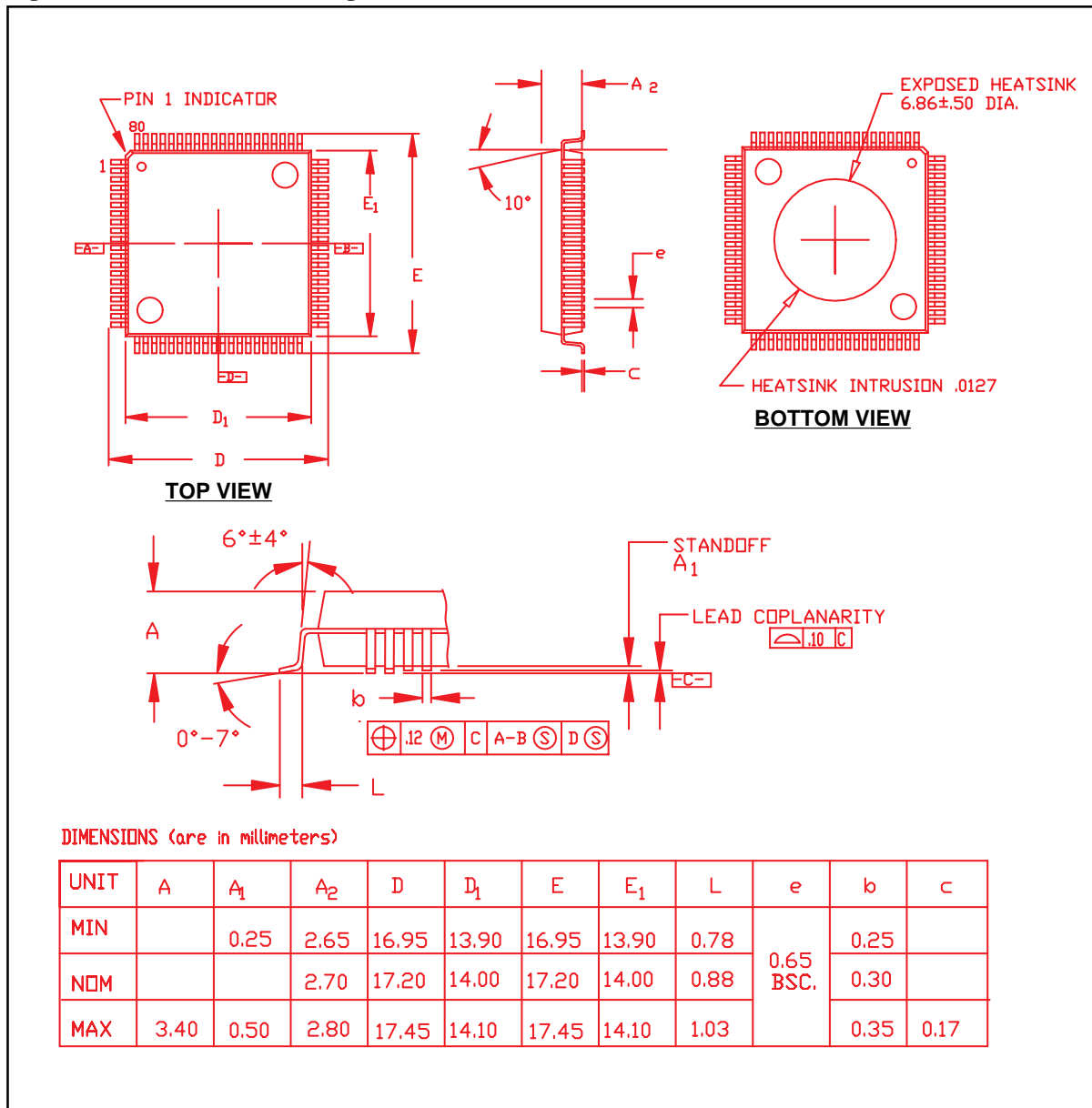
Pin Name	Level	I/O	Pin #	Description
COREGND	GND		10, 12, 14, 55	Core Ground
COREVCC	+3.3V		9, 11, 13, 56	Core VCC
LVPECLVCC	+3.3V		1, 5, 26, 42, 54, 64, 67, 72, 76, 78	LVPECL VCC
LVPECLGND	GND		2, 6, 27, 40, 41, 53, 63, 66, 71, 75, 77	LVPECL Ground
LVTTLVCC	+3.3V		15	TTL VCC
LVTTLGND	GND		21	TTL Ground
THD			20	Thermal Diode
NC			57, 58, 59, 60, 65, 70	Not Connected

Figure 5. S3044 Pinout





**Figure 6. 80 PQFP/TEP Package**



Note: The S3044 package is equipped with an embedded conductive heatsink on the bottom (board side). Active circuitry and vias should not appear in the area immediately under the package. This heatsink is electrically biased to the Vee potential of the S3044. For optimum thermal management, a foil surface at ground (or Vee if other than ground) is recommended immediately under the package, and connected with multiple vias to the internal plane(s) of similar potential. Thermally conductive epoxy or other conductive interposer can be used to establish a good thermal dissipation path.

**Table 5. Thermal Management**

Device	Max Package Power	$\Theta_{jc}$	$\Theta_{ja}$
S3044	1.25 W	2.1°C/W	26°C/W

**Table 6. Low Swing Differential CML Output DC Characteristics**

Parameters	Description	Min	Typ	Max	Units	Conditions
$V_{OL}$	Low Swing CML Output LOW Voltage	$V_{CC}$ -0.50		$V_{CC}$ -0.25	V	100 $\Omega$ line-to-line.
$V_{OH}$	Low Swing CML Output HIGH Voltage	$V_{CC}$ -0.20		$V_{CC}$ -0.05	V	100 $\Omega$ line-to-line.
$\Delta V_{OUTDIFF}$	Low Swing CML Serial Output Differential Voltage Swing	360		800	mV	100 $\Omega$ line-to-line.
$\Delta V_{OUTSINGLE}$	Low Swing CML Serial Output Single-ended Voltage Swing	180		400	mV	100 $\Omega$ line-to-line.

**Table 7. Internally Biased Differential LVPECL Input DC Characteristics**

Parameters	Description	Min	Typ	Max	Units	Conditions
$\Delta V_{INDIFF}$	Differential Input Voltage Swing	300		1200	mV	See Figure 13.
$\Delta V_{INSINGLE}$	Differential Input Single-Ended Swing	150		600	mV	See Figure 13.
$R_{DIFF}$	Differential Input Resistance	80	100	120	$\Omega$	

**Table 8. Externally Biased Differential LVPECL Input DC Characteristics**

Parameters	Description	Min	Typ	Max	Units	Conditions
$V_{BIAS}$	LVPECL DC Bias Voltage	$V_{CC}$ -1.2		$V_{CC}$ -0.8	V	Inputs open.
$V_{IL}$	LVPECL Input LOW Voltage	$V_{CC}$ -2.000		$V_{CC}$ -0.25	V	
$V_{IH}$	LVPECL Input HIGH Voltage	$V_{CC}$ -1.20		$V_{CC}$ -0.05	V	
$\Delta V_{INDIFF}$	Differential Input Voltage Swing	300		1200	mV	See Figure 13.
$\Delta V_{INSINGLE}$	Differential Input Single-Ended Swing	150		600	mV	See Figure 13.
$R_{DIFF}$	Differential Input Resistance	80	100	120	$\Omega$	

**Table 9. Single Ended LVPECL Input DC Characteristics**

Parameters	Description	Min	Typ	Max	Units	Conditions
$V_{IL}$	LVPECL Input Low Voltage	$V_{CC}$ -2.30		$V_{CC}$ -1.441	V	
$V_{IH}$	LVPECL Input High Voltage	$V_{CC}$ -1.250		$V_{CC}$ -0.570	V	

**Table 10. Single Ended LVPECL Output DC Characteristics**

Parameters	Description	Min	Typ	Max	Units	Conditions
$V_{OL}$	LVPECL Output Low Voltage	Vcc -2.2		Vcc -1.50	V	220Ω to GND, 82 to Vcc and 130Ω to GND
$V_{OH}$	LVPECL Output High Voltage	Vcc -1.20		Vcc -0.65	V	220Ω to GND, 82 to Vcc and 130Ω to GND
OVREF	Single Ended LVPECL DC Bias Voltage	Vcc -1.80		Vcc -1.20	V	Absolute limits over temperature. At a given temperature OVREF tracks $V_{OH}$ and $V_{OL}$ : $OVREF = \frac{V_{OH} + V_{OL}}{2} \pm 120mV$

**Table 11. Low Speed Differential LVPECL Input DC Characteristics**

Parameters	Description	Min	Max	Units	Comments
$V_{IL}$	LVPECL Input Low	Vcc -2.0	Vcc -0.5	V	
$V_{IH}$	LVPECL Input High	Vcc -1.2	Vcc -0.3	V	
$\Delta V_{INDIFF}$	Diff. Input Voltage Swing	400	2000	mV	See Figure 13.
$\Delta V_{INSINGLE}$	Differential Input Single-Ended Swing	200	1000	mV	See Figure 13.

**Table 12. Low Speed Differential LVPECL Output DC Characteristics**

Parameters	Description	Min	Max	Units	Comments
$\Delta V_{OUTSINGLE}$	Single Ended Output Voltage Swing	550	950	mV	220Ω to GND and 100Ω line-to-line
$\Delta V_{OUTDIFF}$	Diff. Output Voltage Swing	1100	1900	mV	220Ω to GND and 100Ω line-to-line
$V_{OH}$	Output High Voltage	Vcc -1.15	Vcc -0.60	V	220Ω to GND and 100Ω line-to-line
$V_{OL}$	Output Low Voltage	Vcc -1.95	Vcc -1.50	V	220Ω to GND and 100Ω line-to-line

**Table 13. LVTTTL Input/Output DC Characteristics**

Symbol	Description	Min	Typ	Max	Unit	Conditions
$V_{IH}$	Input High Voltage	2.0		TTL $V_{CC}$	V	TTL $V_{CC} = \text{Max}$
$V_{IL}$	Input Low Voltage	0.0		0.8	V	TTL $V_{CC} = \text{Max}$
$I_{IH}$	Input High Current			50	$\mu\text{A}$	$V_{IN} = 2.4 \text{ V}$
$I_{IL}$	Input Low Current	-500			$\mu\text{A}$	$V_{IN} = 0.5 \text{ V}$
$V_{OH}$	Output High Voltage	2.2			V	$V_{IH} = \text{Min}$ $V_{IL} = \text{Max}$ $I_{OH} = -100 \mu\text{A}$
$V_{OL}$	Output Low Voltage			0.5	V	$V_{IH} = \text{Min}$ $V_{IL} = \text{Max}$ $I_{OL} = 4 \text{ mA}$

**Table 14. Absolute Maximum Ratings**

Parameter	Min	Typ	Max	Units
Storage Temperature	-65		150	° C
Voltage on Vcc with Respect to GND	-0.5		+5.0	V
Voltage on any LVPECL Input Pin	0		Vcc	V
Voltage on any LVTTTL Input Pin	-0.5		+5.5	V
High Speed LVPECL Output Source Current			50	mA

**ESD Ratings**

The S3044 is rated to the following ESD voltages based on the human body model:

1. All pins are rated at or above 2000 V except pin 61, pin 62, pin 68, and pin 69.

**Table 15. Recommended Operating Conditions**

Parameter	Min	Typ	Max	Units
Ambient Temperature Under Bias	-40		85	° C
Junction Temperature Under Bias	-40		+130	° C
Voltage on Vcc with Respect to GND	3.13	3.3	3.47	V
Voltage on any LVPECL Input Pin	Vcc-2		Vcc	V
Voltage on any LVTTTL Pin	0		5.5	V

**Table 16. Power Consumption**

Parameter	Min	Typ	Max	Units	Conditions
ICC <sup>1</sup>		300	360	mA	Outputs open

1. Add 70mA for loopback active.

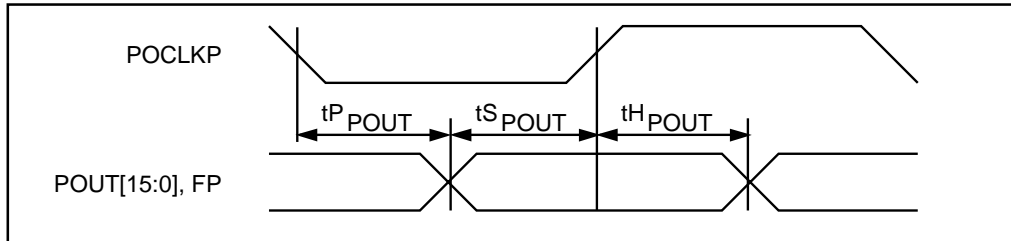
**Table 17. AC Receiver Timing Characteristics**

Symbol	Description	Min	Max	Units
	POCLK Duty Cycle	45	55	%
$t_{P_{POUT}}$	POCLK Low to POUT [15:0] Valid Prop. Delay	-1	+1	ns
$t_{S_{POUT}}$	POUT[15:0] and FP Set-up Time w.r.t. POCLK	2		ns
$t_{H_{POUT}}$	POUT[15:0] and FP Hold Time w.r.t. POCLK	2		ns
$t_{S_{RSD}}$	RSDP/N Set-up Time w.r.t. RSCLKP/N	75		ps
$t_{H_{RSD}}$	RSDP/N Hold Time w.r.t. RSCLKP/N	75		ps
$t_{S_{LSD}}$	LSDP/N Set-up Time w.r.t. LSCLK	75		ps
$t_{H_{LSD}}$	LSDP/N Hold Time w.r.t. LSCLK	75		ps
	LLCLK Duty Cycle	40	60	%
$t_{P_{LLD}}$	LLCLK Low to LLD Valid Propagation Delay	-75	85	ps
	RSCLK/LSCLK Clock Period	400		ps
	RSCLK/LSCLK Clock Duty Cycle	40	60	%
	POUT [15:0] Rise and Fall Time <sup>1</sup>		1.0	ns
	LLD and LLCLK Rise and Fall Time <sup>2</sup>		150	ps

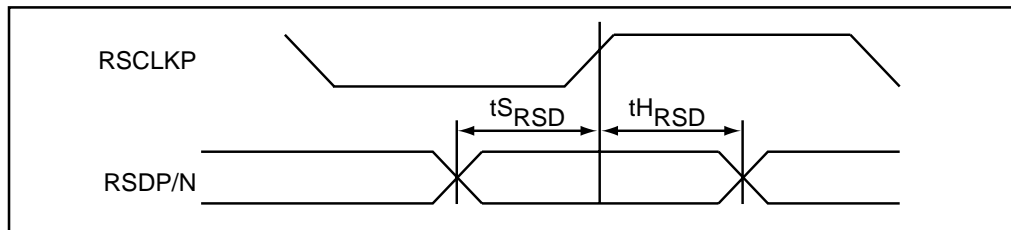
1. 20% to 80%; 330Ω to GND.

2. 20% to 80%; 100Ω line-to-line.

**Figure 7. Output Timing Diagram**



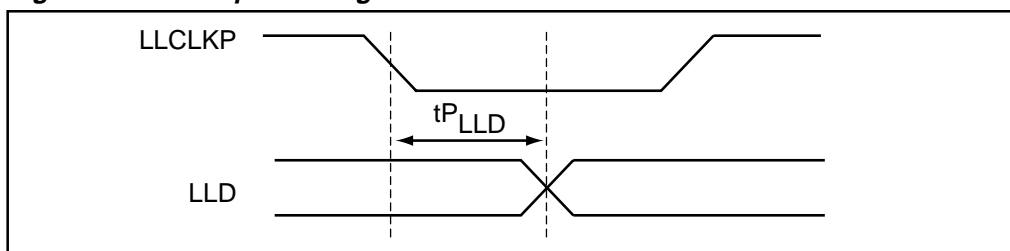
**Figure 8. Receiver Input Timing Diagram**



**Notes on High-Speed LVPECL Input Timing:**

1. Timing is measured from the cross-over point of the reference signal to the cross-over point of the input.

**Figure 9. LLD Output Timing**



**RECEIVER FRAMING**

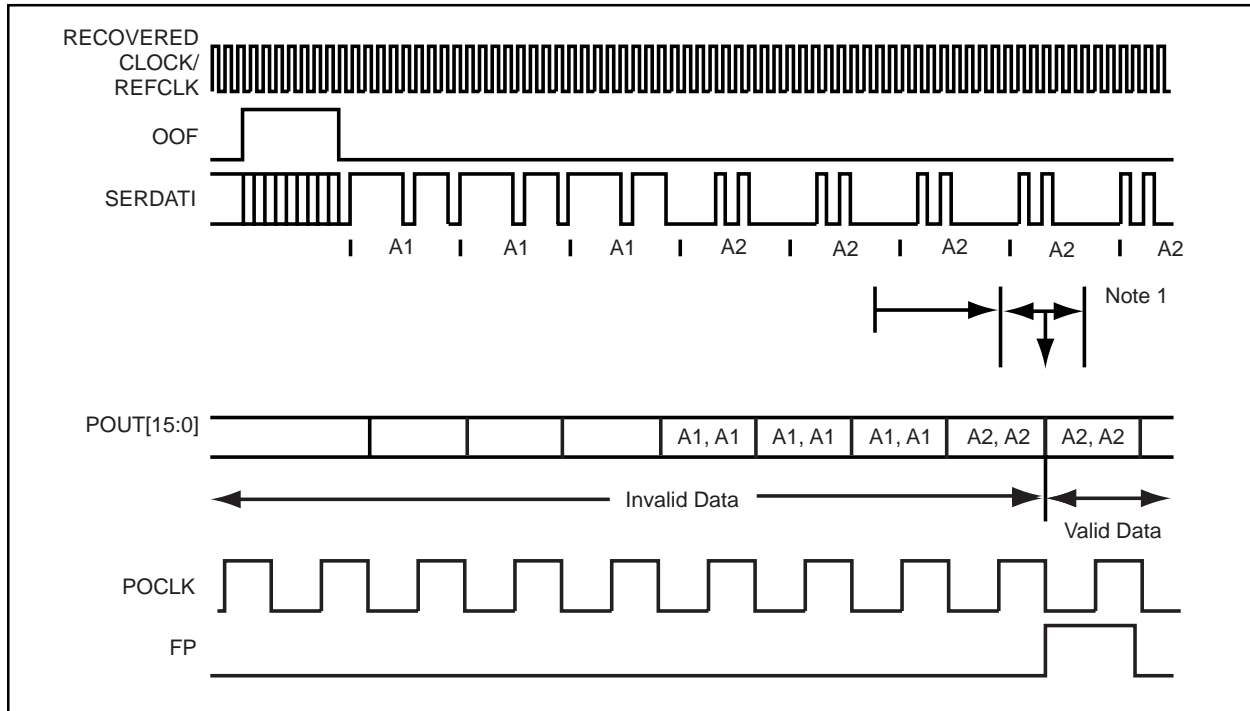
Figure 10 shows a typical reframe sequence in which a byte realignment is made. The frame and byte boundary detection is enabled by the rising edge of OOF. Both boundaries are recognized upon receipt of the first A2 byte. The third A2 byte is the first data byte to be reported with the correct byte alignment on the outgoing data bus (POUT[15:0]). Concurrently, the frame pulse is set high for one POCLK cycle.

The frame and byte boundary detection block is activated by the rising edge of OOF, and stays active until the first FP pulse.

Figure 11 shows the frame and byte boundary detection activation by a rising edge of OOF, and deactivated by the first FP pulse.

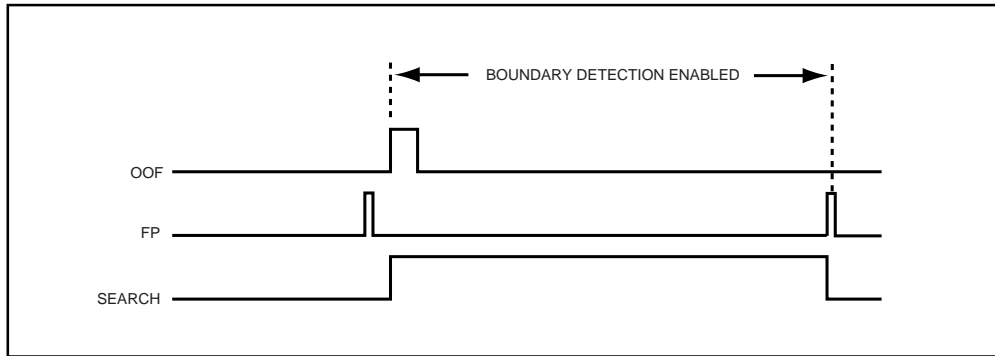
Figure 12 shows the frame and byte boundary detection activation by a rising edge of OOF, and deactivated by the FRAMEN input.

**Figure 10. Frame and Byte Detection**

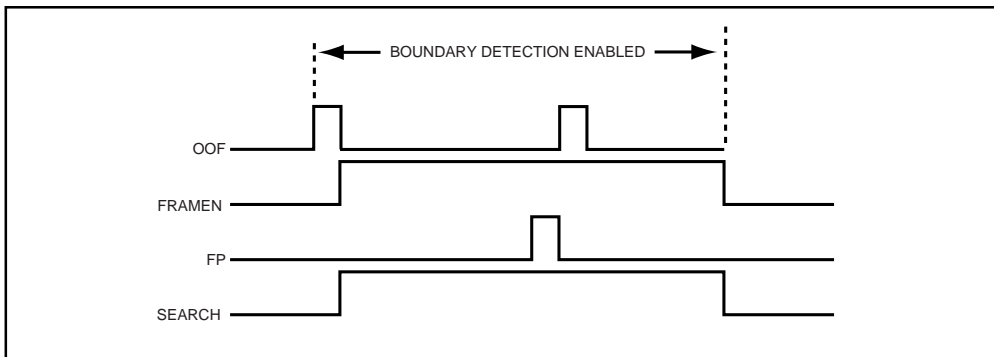


1. Range of input to output delay can be 1.5 to 2.5 POCLK cycles.

**Figure 11. OOF Timing (FRAMEN = 1)**



**Figure 12. FRAMEN Timing**



**Figure 13. Differential Voltage Measurement**

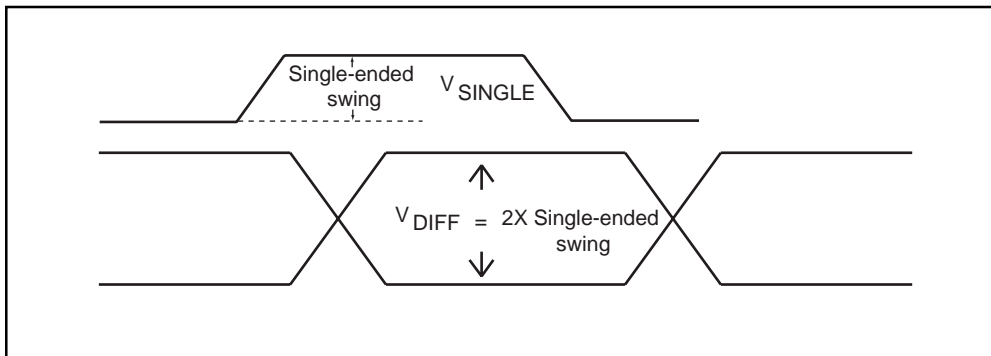




Figure 14. +5V Differential PECL Driver to S3044 Input AC Coupled Termination

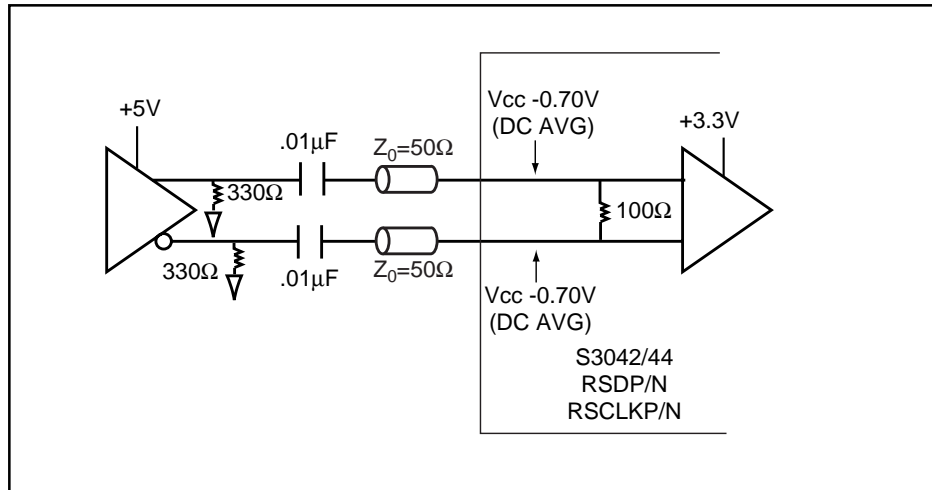


Figure 15. S3040 to S3042/S3044 Terminations

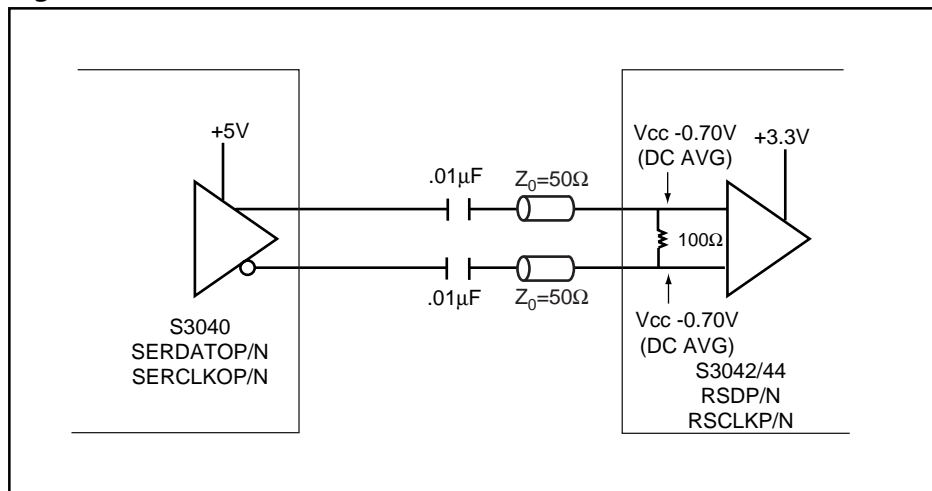
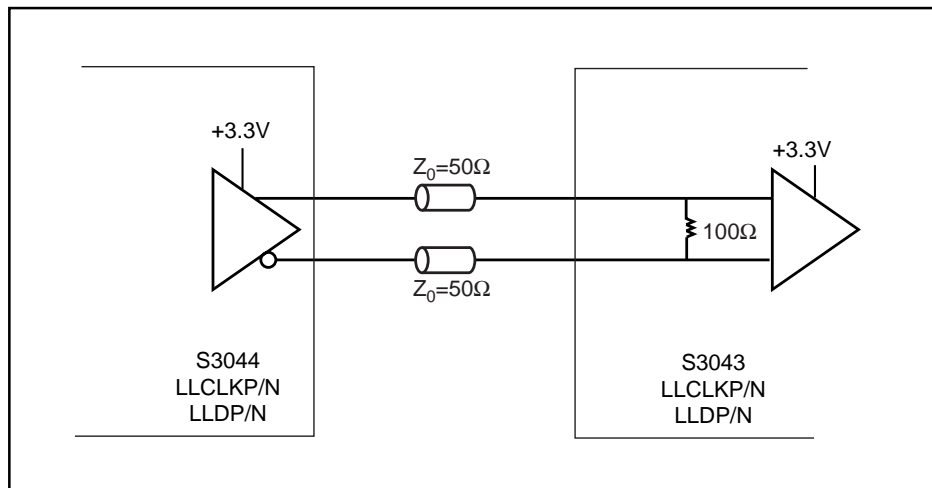
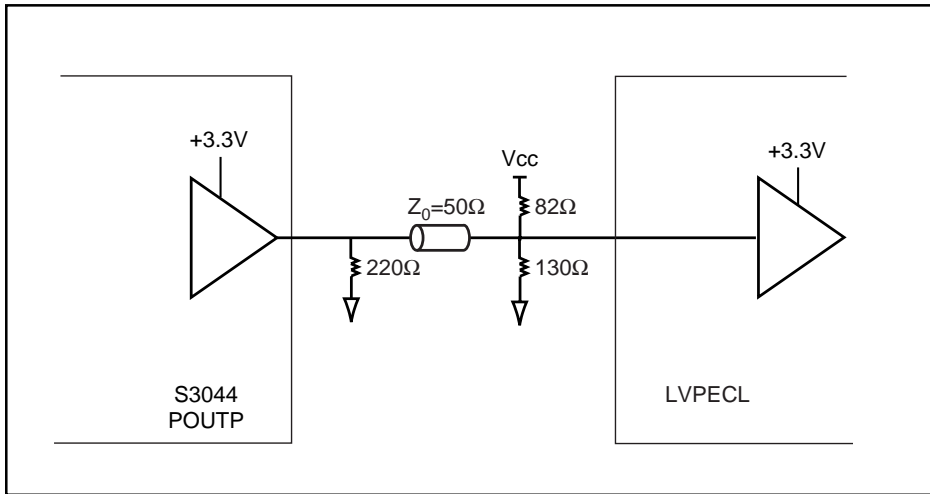


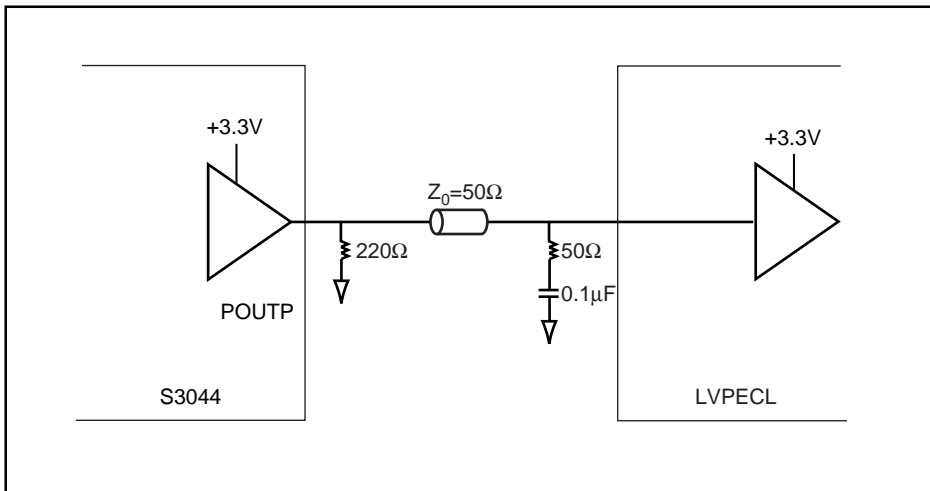
Figure 16. S3044 to S3043 Terminations



**Figure 17. Single-Ended PECL Output Termination**



**Figure 18. Alternative Single-Ended PECL Output Termination**



**Figure 19. Single-Ended PECL Output Termination**

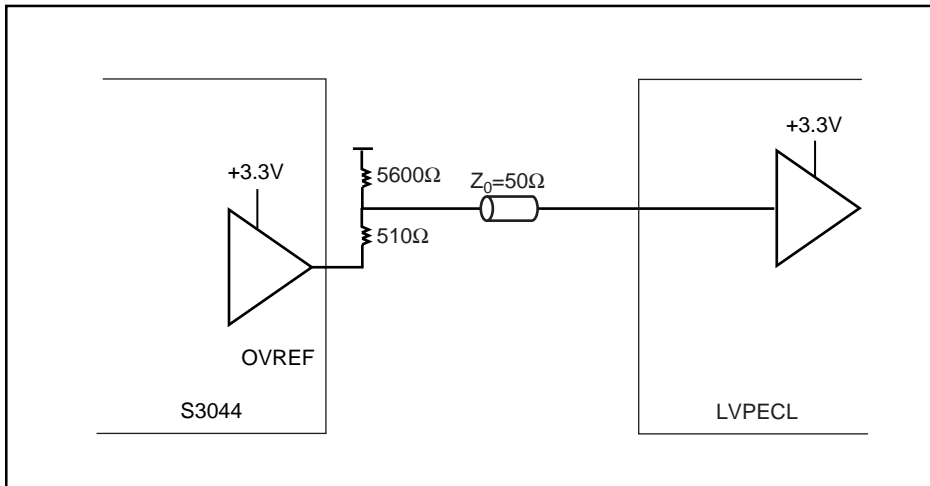


Figure 20. S3043 to S3044 for Diagnostic Loopback

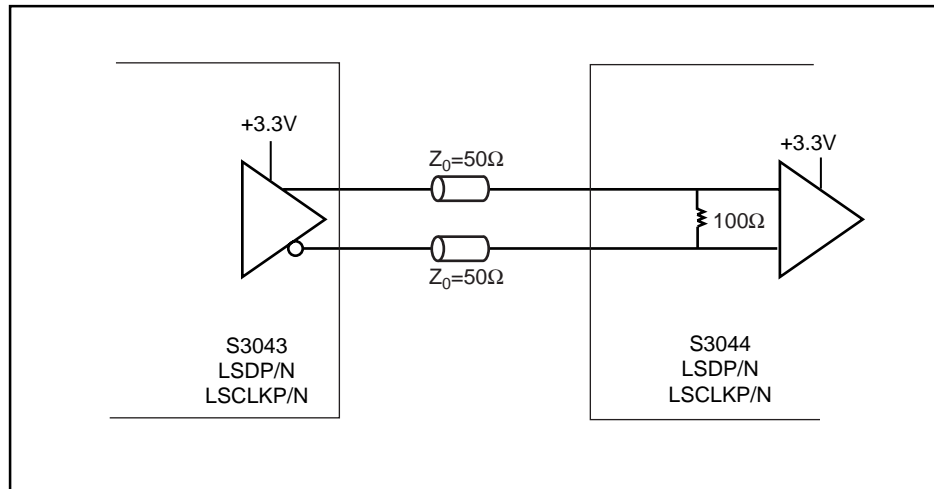


Figure 21. Single-Ended LVPECL Driver to S3044 Input AC Coupled Termination

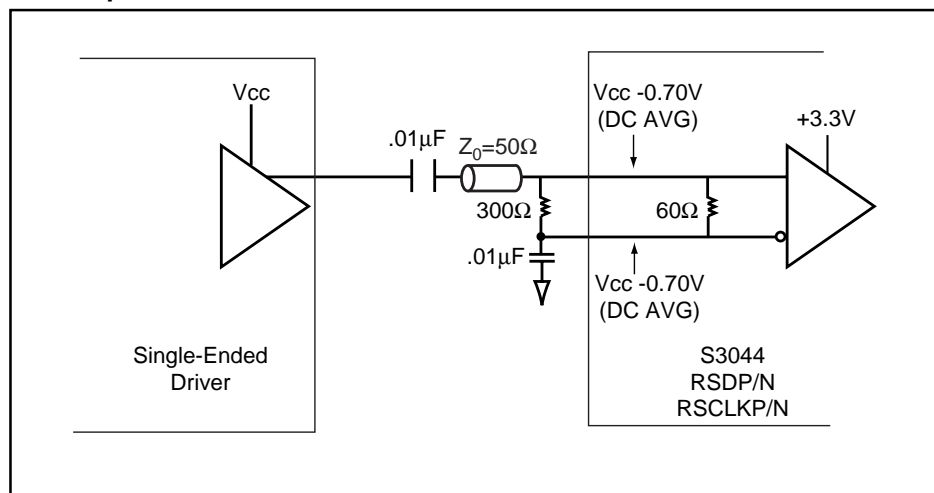
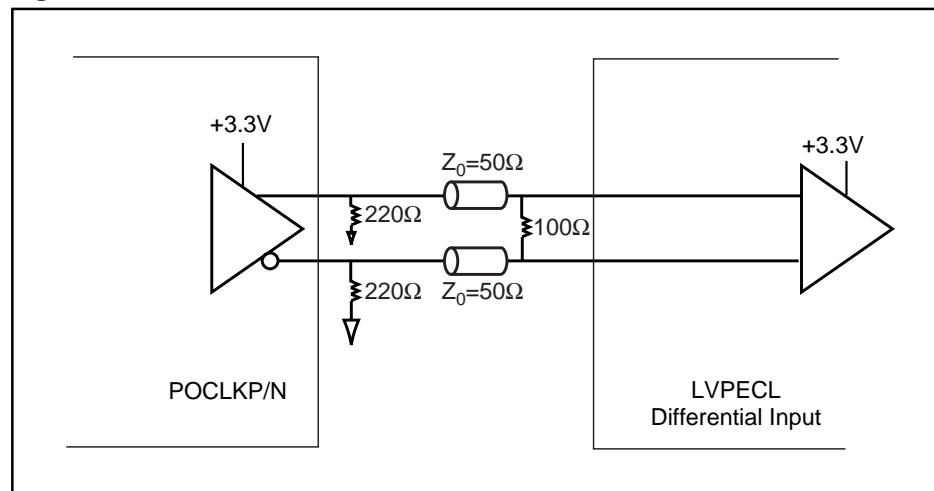


Figure 22. Differential LVPECL Termination



**Ordering Information**

PREFIX	DEVICE	PACKAGE
S – Integrated Circuit	3044	A – 80 PQFP/TEP

**X**      **XXXX**      **X**  
Prefix      Device      Package

**Applied Micro Circuits Corporation****6290 Sequence Drive, San Diego, CA 92121****Phone: (858) 450-9333 • (800) 755-2622 • Fax: (858) 450-9885****<http://www.amcc.com>**

AMCC reserves the right to make changes to its products or to discontinue any semiconductor product or service without notice, and advises its customers to obtain the latest version of relevant information to verify, before placing orders, that the information being relied on is current.

AMCC does not assume any liability arising out of the application or use of any product or circuit described herein, neither does it convey any license under its patent rights nor the rights of others.

AMCC reserves the right to ship devices of higher grade in place of those of lower grade.

AMCC SEMICONDUCTOR PRODUCTS ARE NOT DESIGNED, INTENDED, AUTHORIZED, OR WARRANTED TO BE SUITABLE FOR USE IN LIFE-SUPPORT APPLICATIONS, DEVICES OR SYSTEMS OR OTHER CRITICAL APPLICATIONS.

AMCC is a registered trademark of Applied Micro Circuits Corporation.  
Copyright © 1999 Applied Micro Circuits Corporation