

CRT Power Supply

CRS080G40
CRS120G40

CRS Series

The CRS series of CRT power supplies provide 8kV and 12kV anode voltages as well as G2 voltage adjustable to 400V.

These lightweight, pcb mountable supplies feature excellent regulation, low ripple and anode voltage monitoring.



Features:

- Anode voltage monitoring
- Low ripple
- Excellent regulation
- Arc and short circuit protection
- Light weight

ELECTRICAL RATINGS

Part Number	V_0	$G2_{(MAX)}$
	kV	V
CRS080G40	8.0	400
CRS120G40	12.0	400

Environmental:

- Storage Temperature -30°C to +80°C
- Operating Temperature 0°C to +70°C

SPECIFICATIONS

Input Voltage:	+15VDC \pm 10%
Anode Output Voltage:	8kVDC (CRS080G40) 12kVDC (CRS120G40)
Anode Voltage Accuracy:	\pm 1%
Anode Output Current:	0 to 225 μ A (CRS080G40) 0 to 130 μ A (CRS120G40)
Anode Ripple Voltage:	< 1% peak to peak
Anode Load Regulation:	< 1% for NL to FL change
G2 Regulation:	< 1% for NL to FL change
Interface Signals:	
• Anode Voltage Monitor	Anode/5000 \pm 2%
• G2 Voltage	140V to 400V (potentiometer adjust)
• Shutdown	0V = Inhibit Open Circuit = Enable

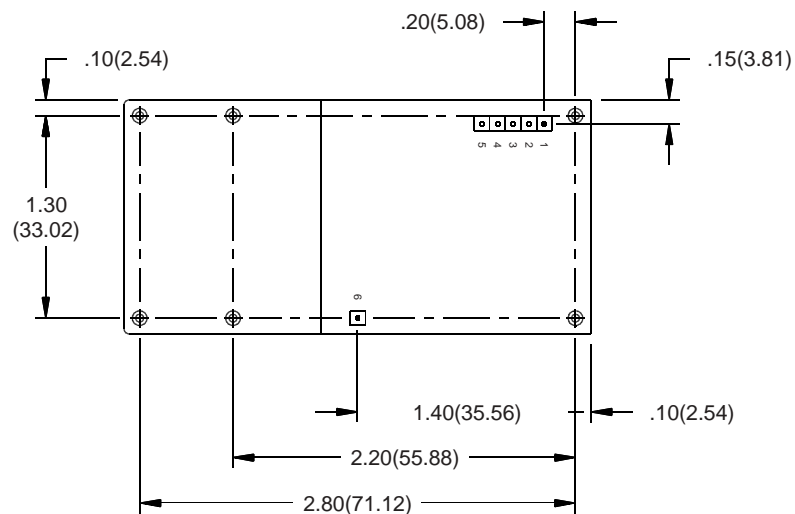
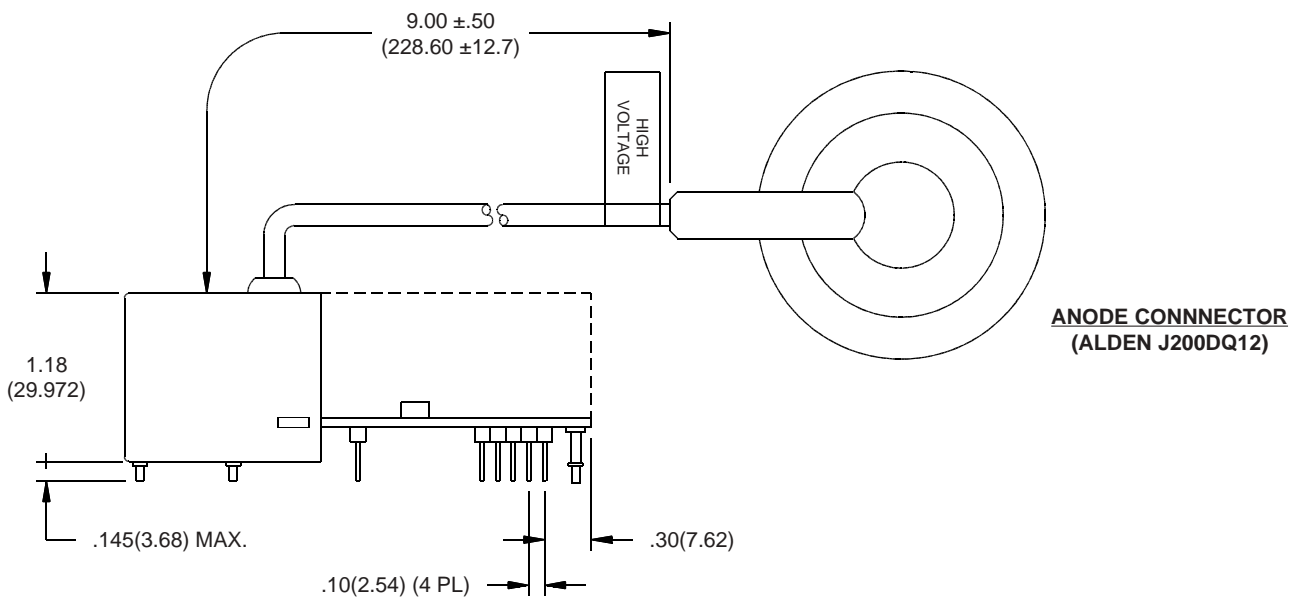
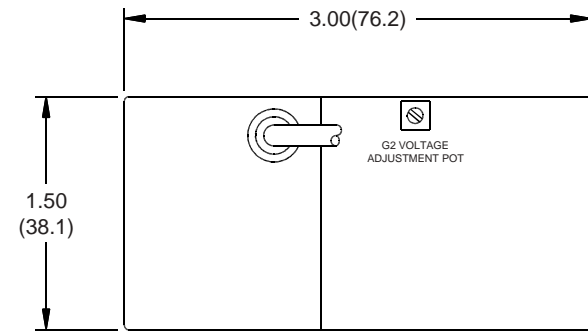
Data subject to change without notice.



VOLTAGE MULTIPLIERS INC.
8711 W. Roosevelt Ave.
Visalia, CA 93291

TEL 559-651-1402
FAX 559-651-0740
www.voltagemultipliers.com

CRS080G40 CRS120G40



INTERFACE PIN ASSIGNMENT	
1	+15V
2	Ground
3	Anode/5000
4	N.C.
5	Shutdown
6	G2